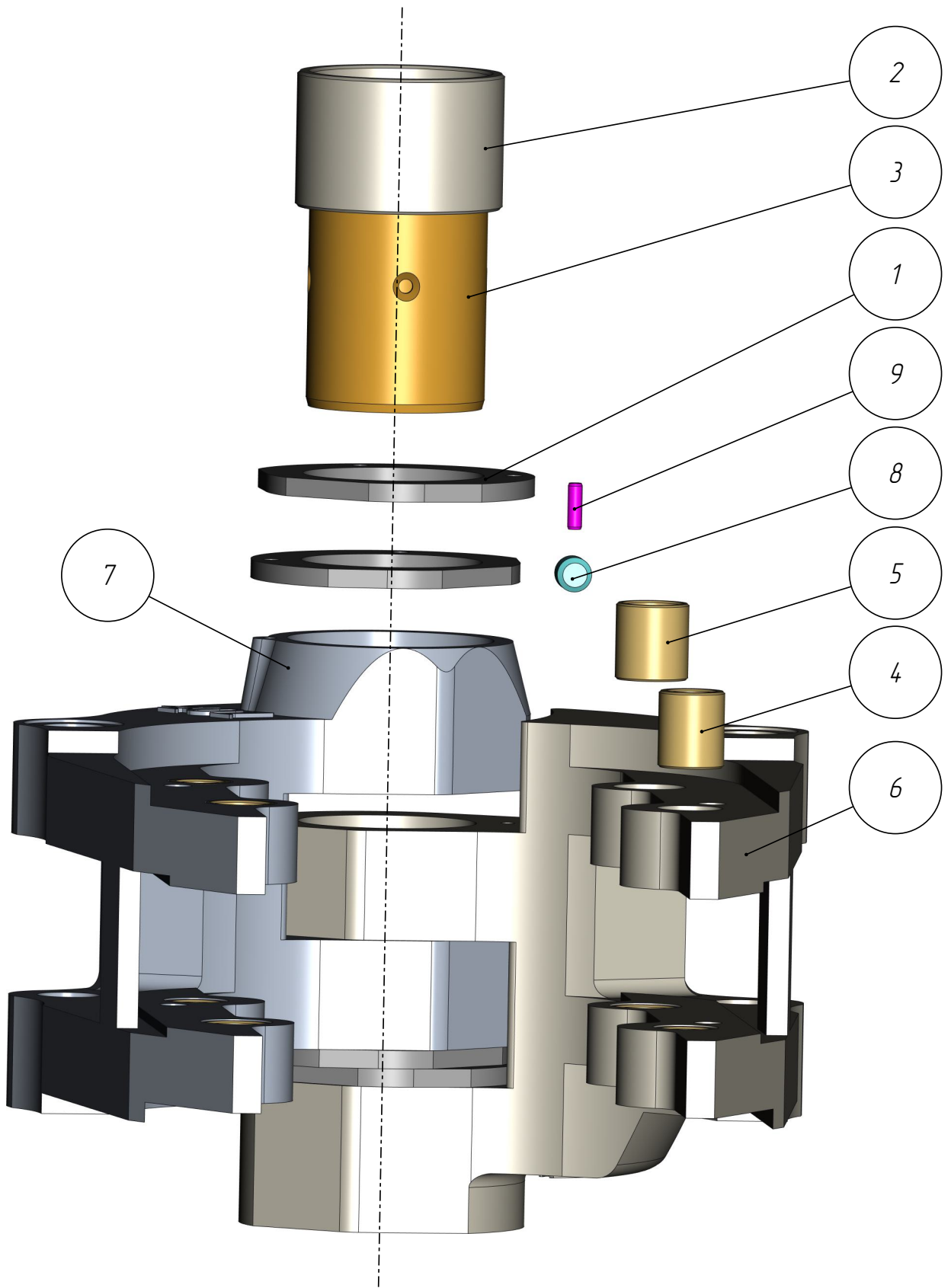


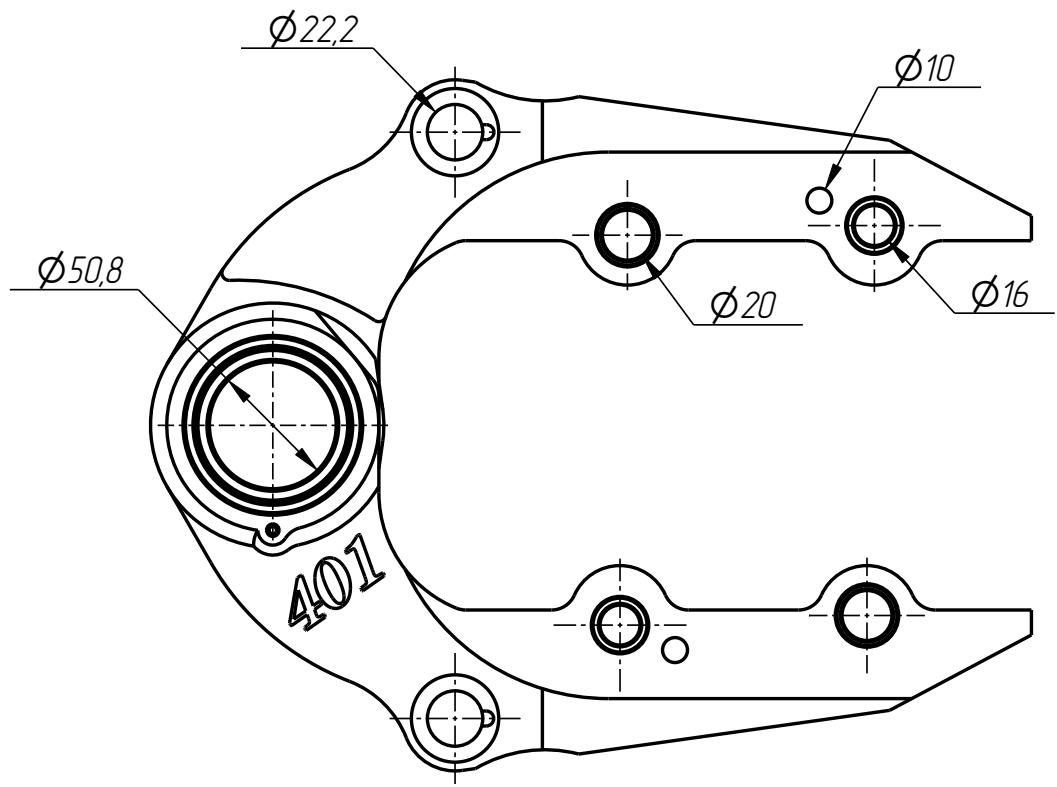
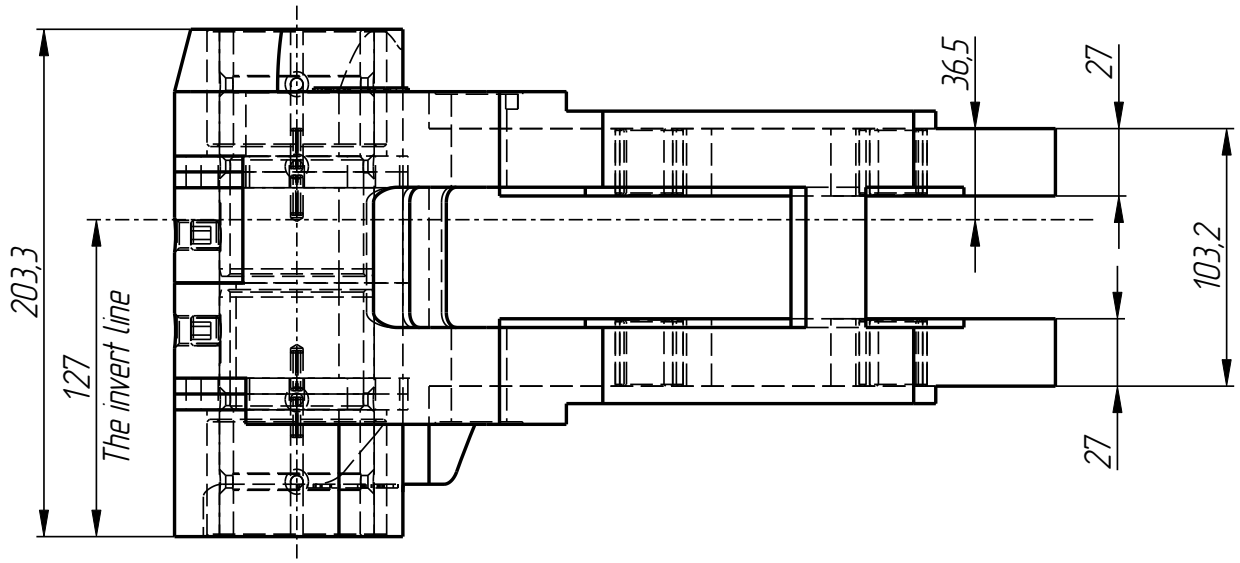
*401*

*DF-401-056*

*Form Holder  
(P-527-TG-1F)*



DF-401-056



DF-401-056

# DF-401-056

Form Holder  
(P-527-TG-1F)

## Specification

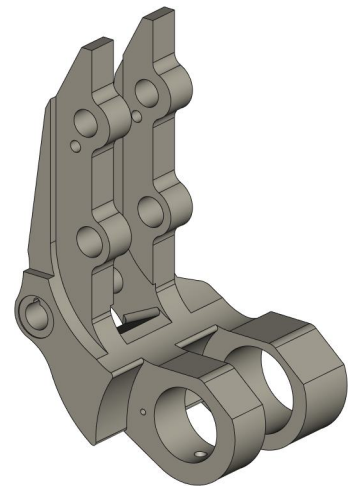
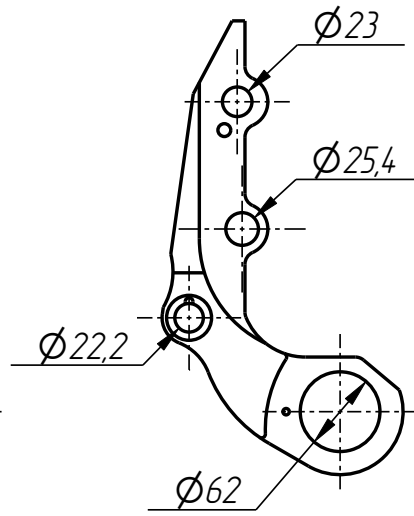
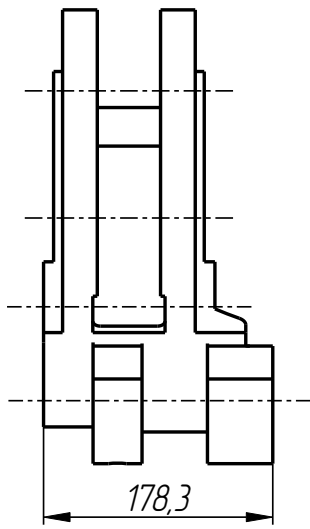
<i>Nº pos.</i>	<i>Code</i>	<i>Name</i>	<i>Qty</i>
----------------	-------------	-------------	------------

### Parts:

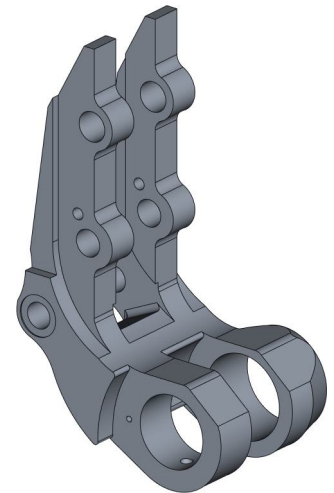
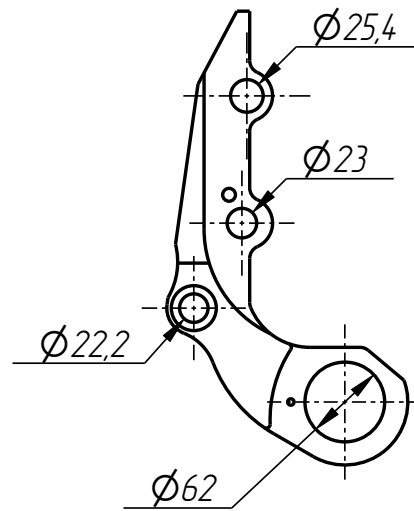
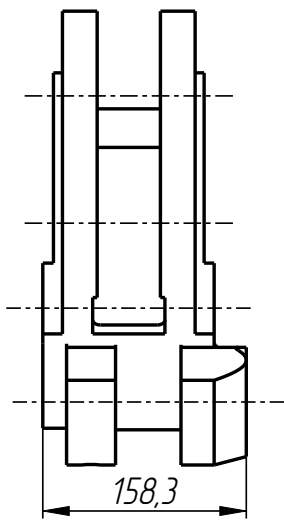
1	DF-401-001-003	Remote washer	4
2	DF-401-001-004	Bushing	2
3	DF-401-001-005	Bushing	2
4	DF-401-054-003	Bushing	4
5	DF-401-054-004	Bushing	4
6	DF-401-056-001	Lower lever	1
7	DF-401-056-002	Upper lever	1

### Standard parts:

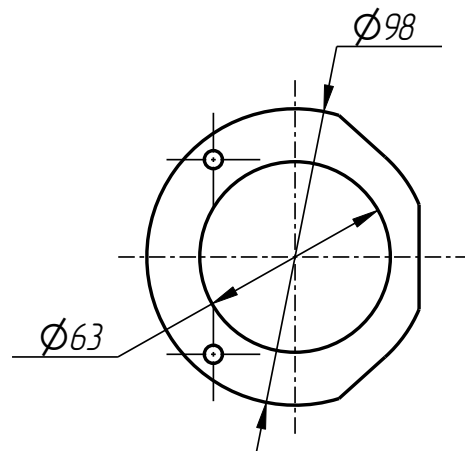
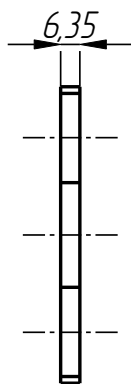
8	Screw M12x12 GOST 11074-93		2
9	Spring pin $\phi$ 5x16 DIN 1481		4



Lower lever  
DF-401-056-001

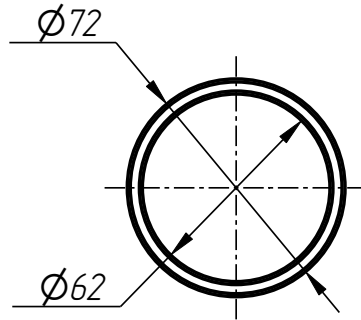
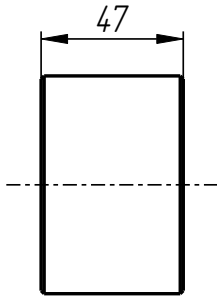


Upper lever  
DF-401-056-002

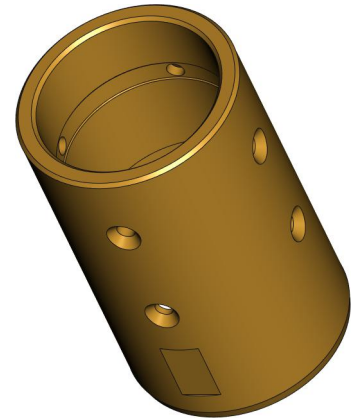
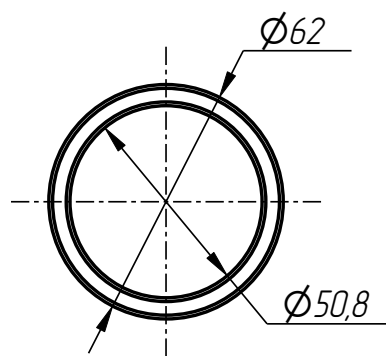
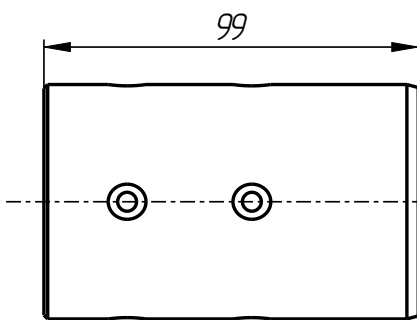


Remote washer  
DF-401-001-003

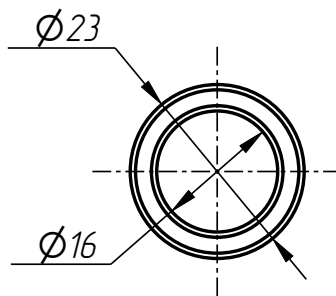
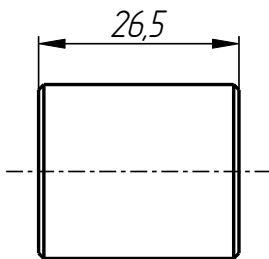
DF-401-056



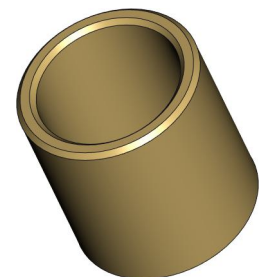
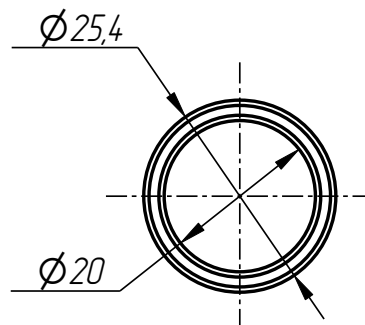
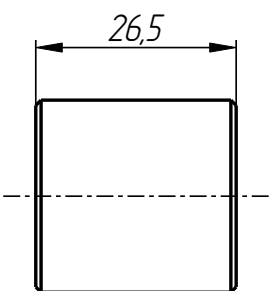
Bushing  
DF-401-001-004



Bushing  
DF-401-001-005



Bushing  
DF-401-054-003



Bushing  
DF-401-054-004