

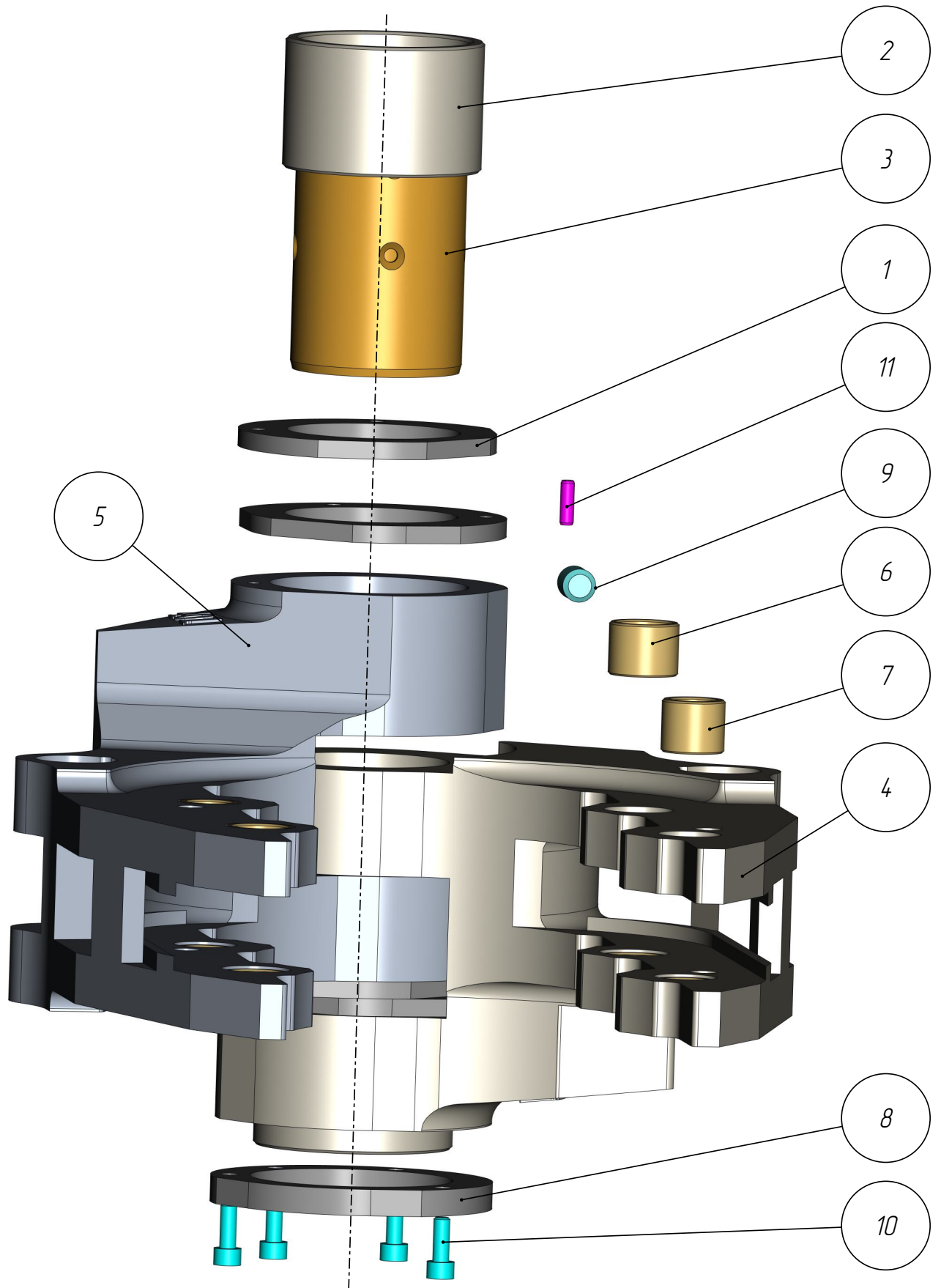
*401*

*DF-401-055*

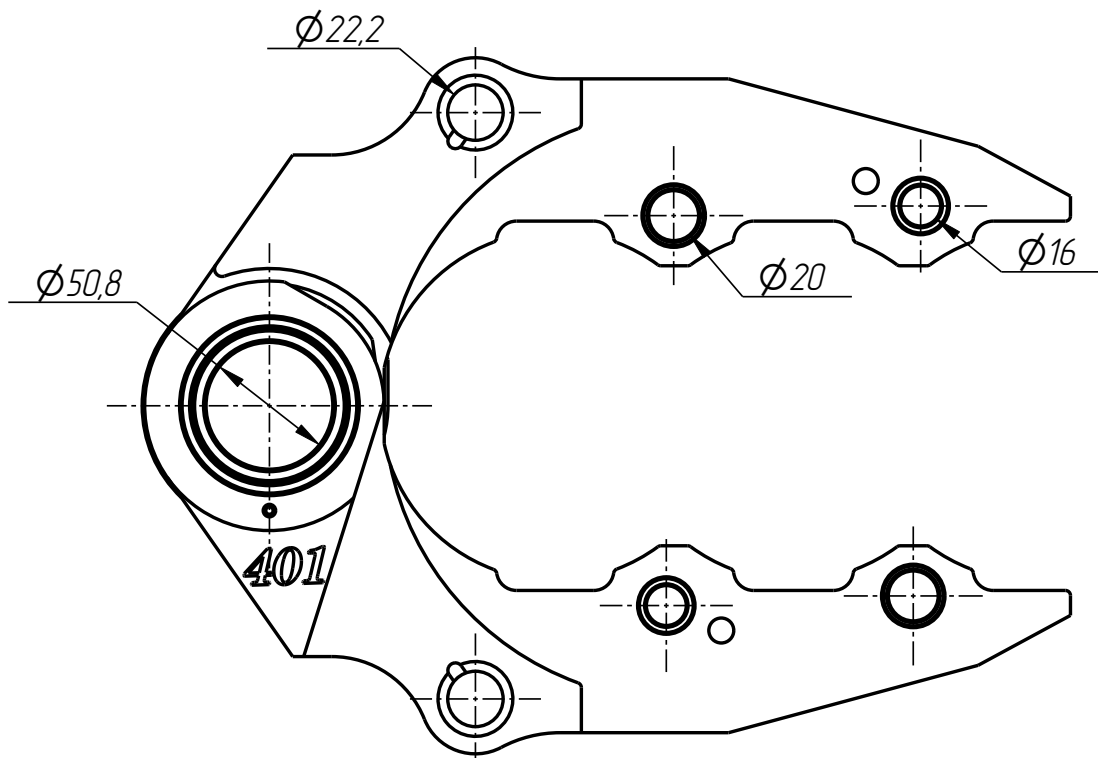
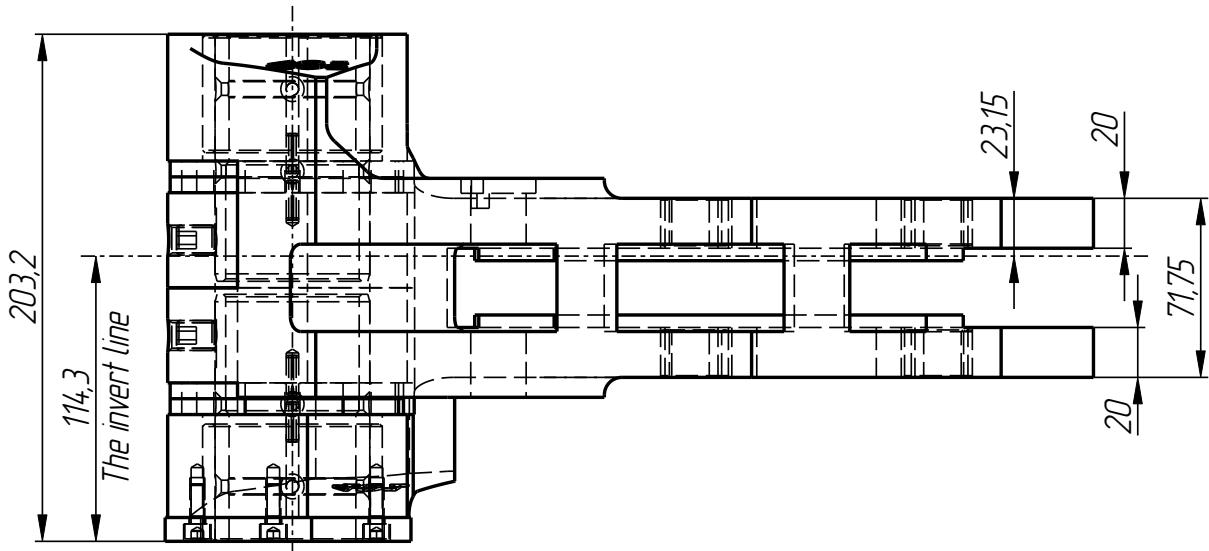
*Form Holder  
(P-527-TG-1AZ)*

Form Holder  
(P-527-TG-1AZ)  
DF-401-055

401



DF-401-055



## DF-401-055

Form Holder  
(P-527-TG-1AZ)

### Specification

Nº pos.	Code	Name	Qty
---------	------	------	-----

#### Parts:

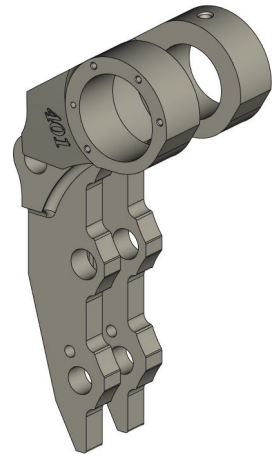
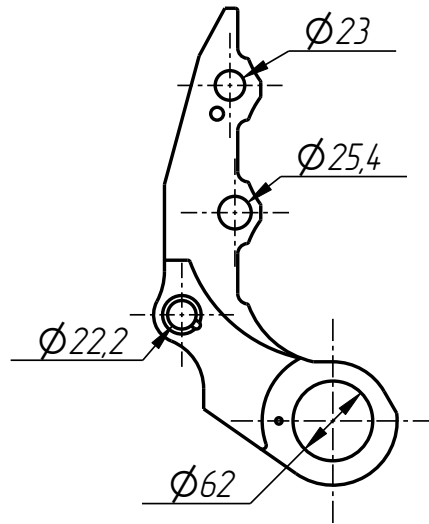
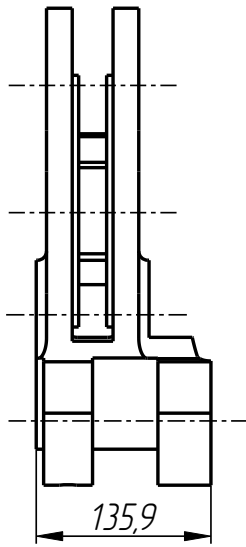
1	DF-401-001-003	Remote washer	4
2	DF-401-001-004	Bushing	2
3	DF-401-001-005	Bushing	2
4	DF-401-055-001	Lower lever	1
5	DF-401-055-002	Upper lever	1
6	DF-401-055-003	Bushing	4
7	DF-401-055-004	Bushing	4
8	DF-401-055-005	Support washer	1

#### Standard parts:

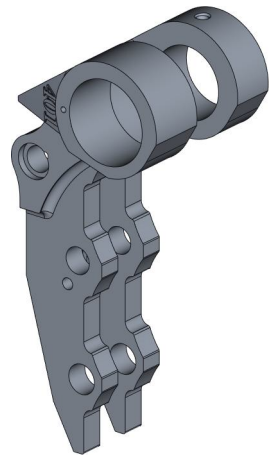
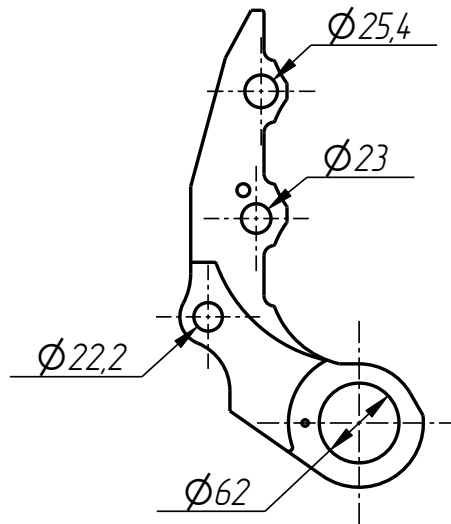
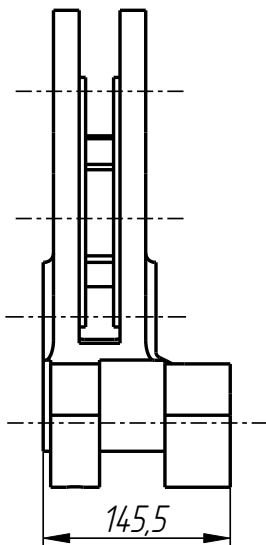
9	Screw M12x16 GOST 11074-93	2
10	Screw M6x16 DIN 912	4
11	Spring pin $\phi$ 5x16 DIN 1481	4

Form Holder  
(P-527-TG-1AZ)  
DF-401-055

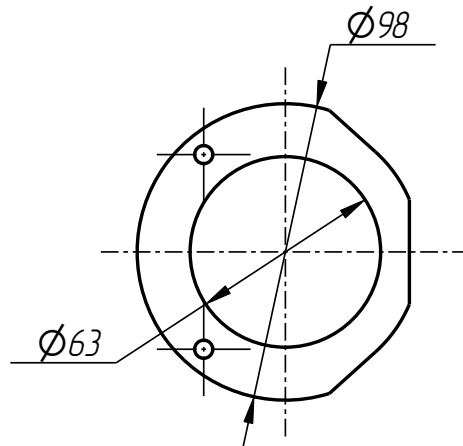
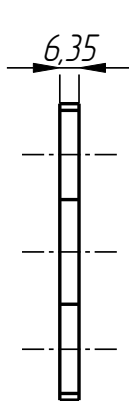
401



Lower lever  
DF-401-055-001

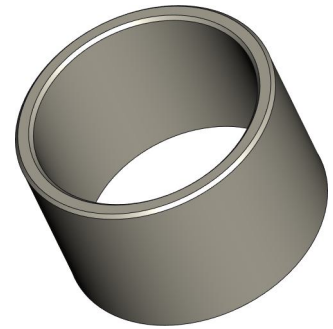
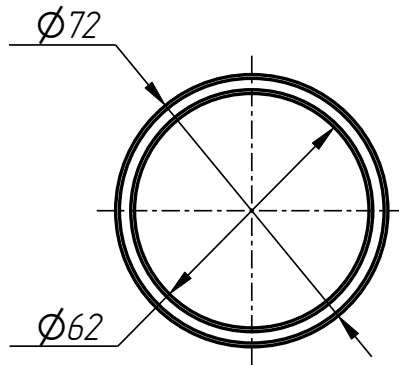
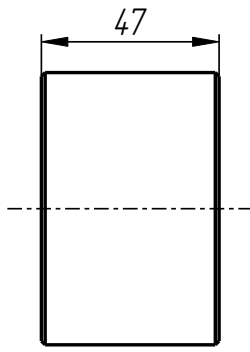


Upper lever  
DF-401-055-002

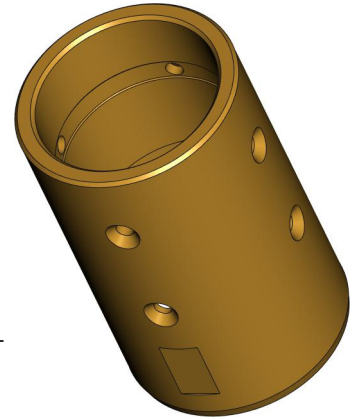
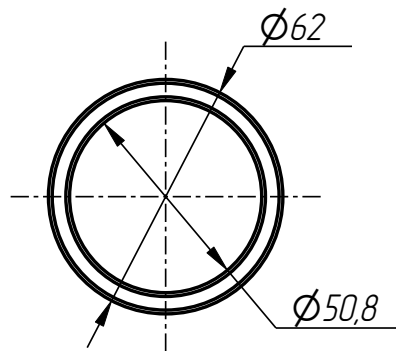
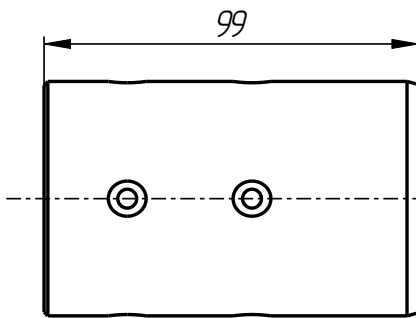


Remote washer  
DF-401-001-003

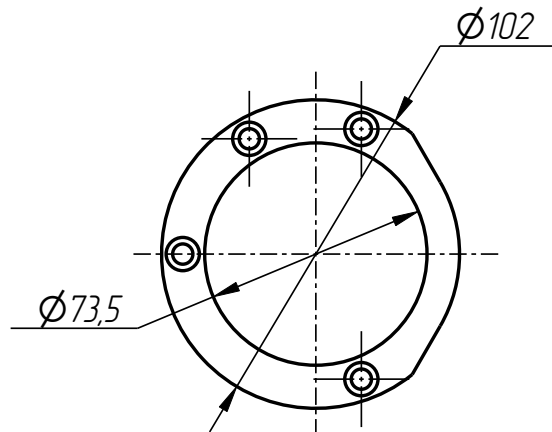
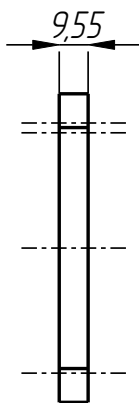
DF-401-055



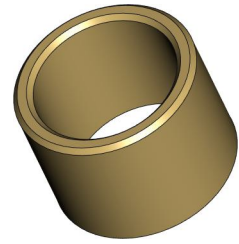
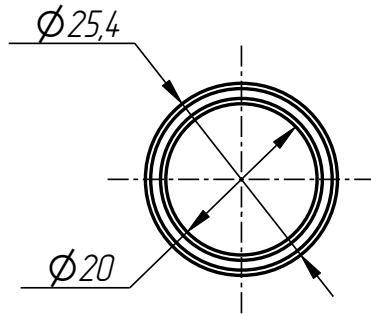
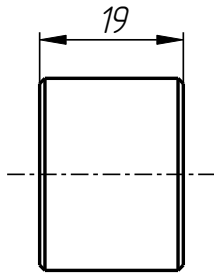
Bushing  
DF-401-001-004



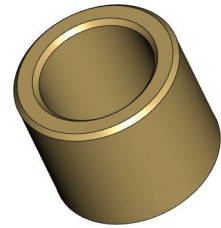
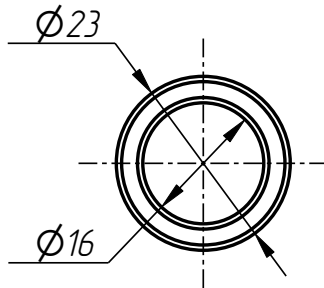
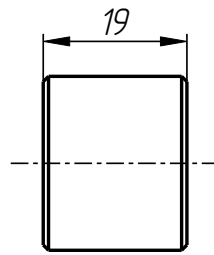
Bushing  
DF-401-001-005



Support washer  
DF-401-055-005



Bushing  
DF-401-055-004



Bushing  
DF-401-055-003