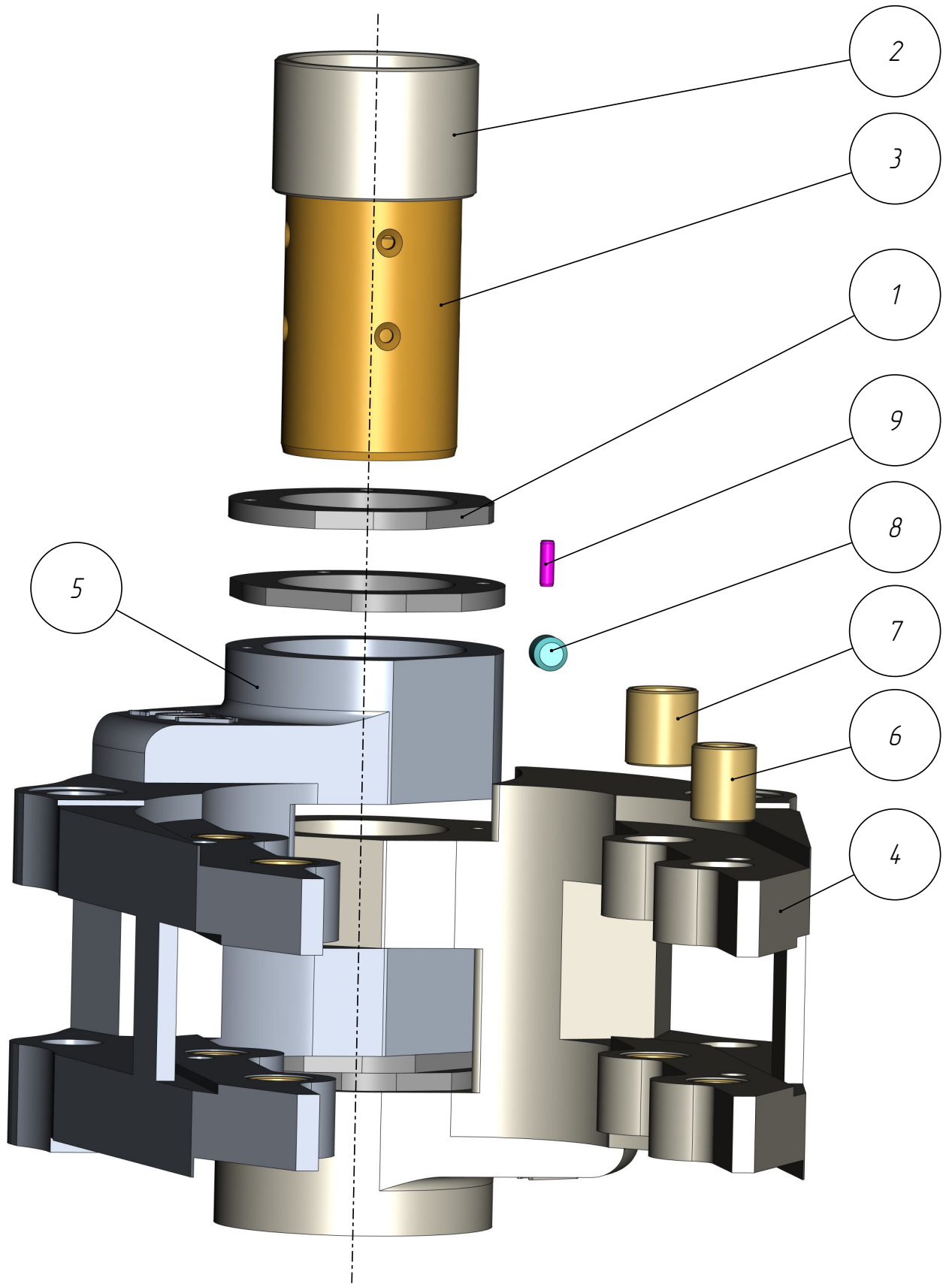


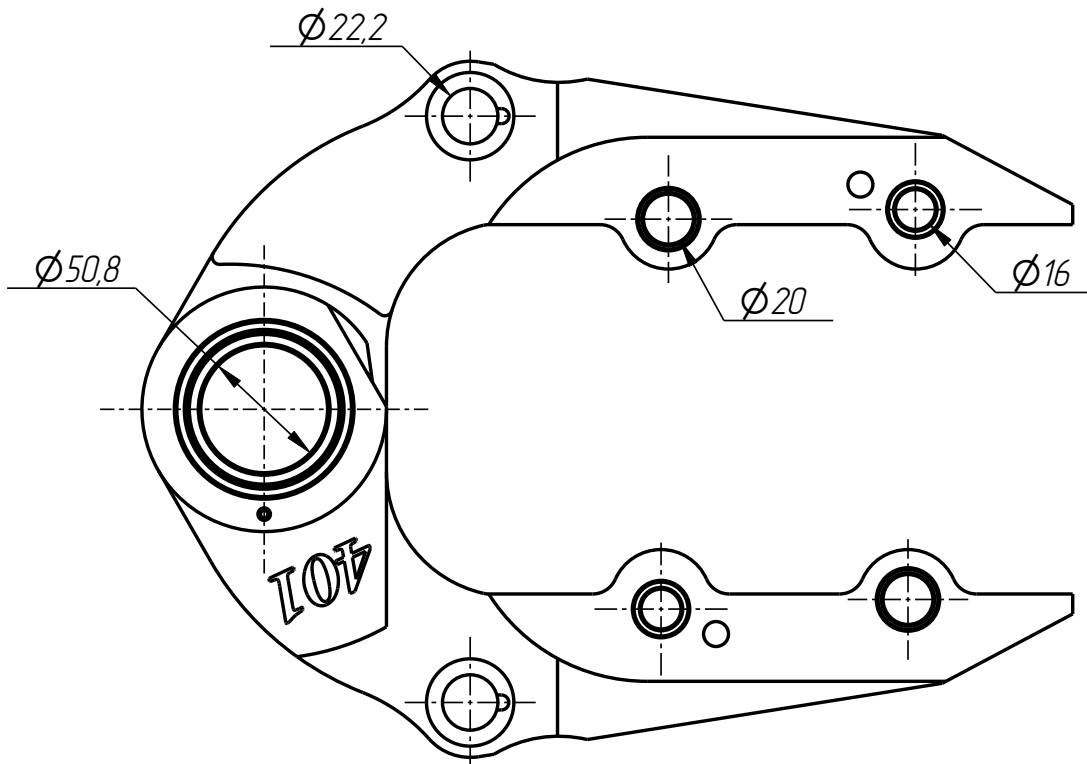
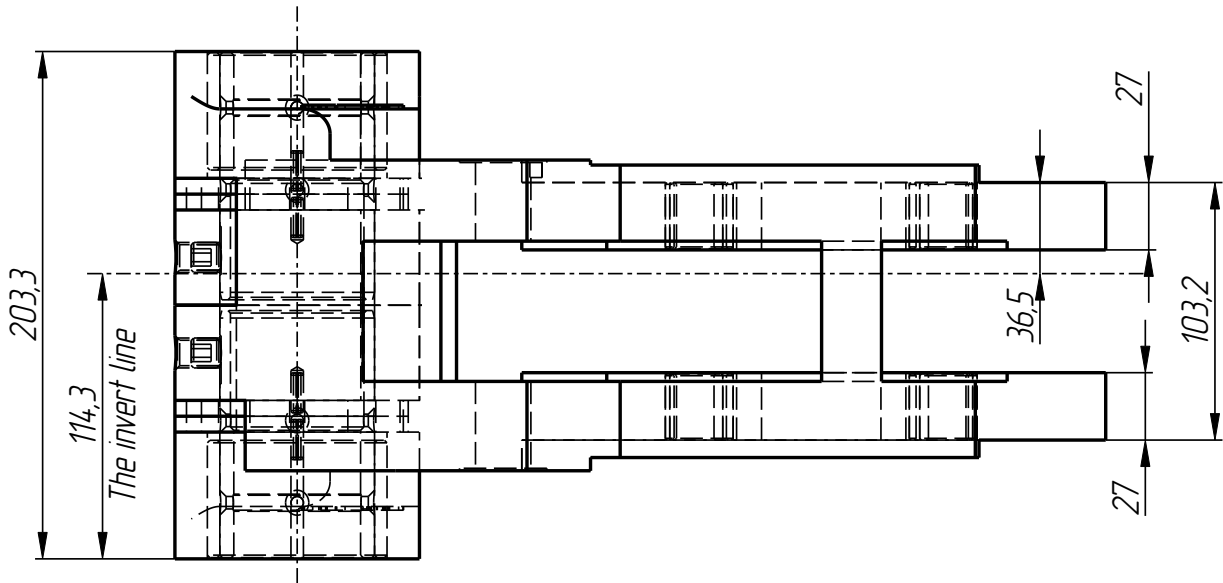
401

DF-401-054

*Form Holder
(P-527-TG-1A)*



DF-401-054



DF-401-054

Form Holder
(P-527-TG-1A)

Specification

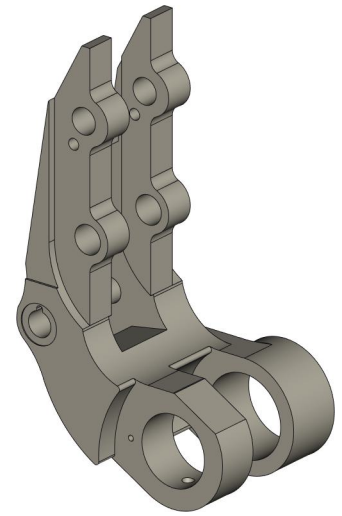
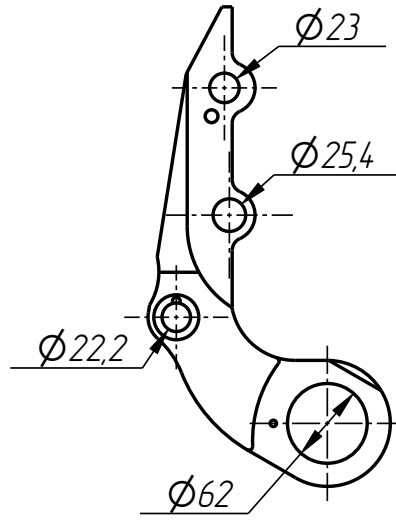
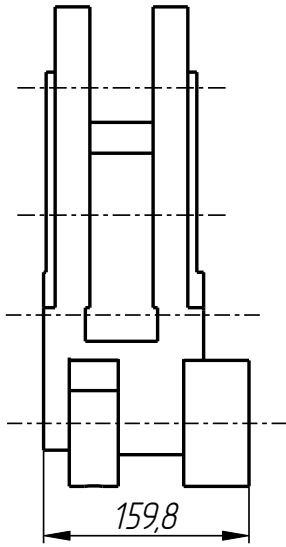
Nº pos.	Code	Name	Qty
---------	------	------	-----

Parts:

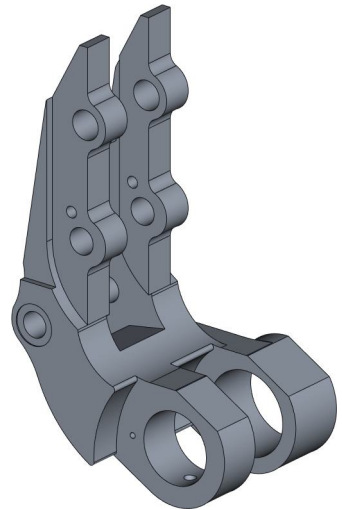
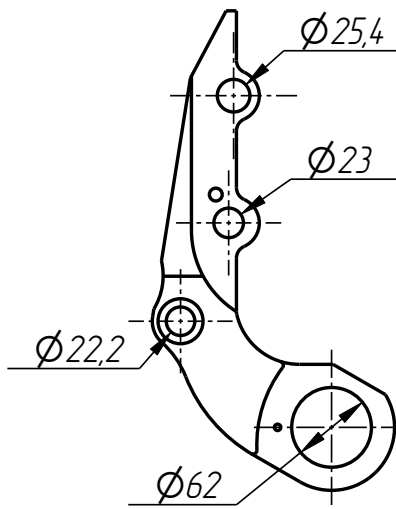
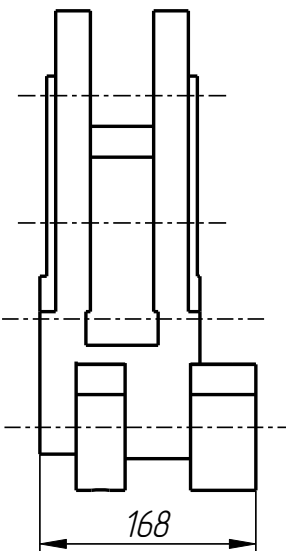
1	DF-401-001-003	Remote washer	4
2	DF-401-001-004	Bushing	2
3	DF-401-001-005	Bushing	2
4	DF-401-054-001	Lower lever	1
5	DF-401-054-002	Upper lever	1
6	DF-401-054-003	Bushing	4
7	DF-401-054-004	Bushing	4

Standard parts:

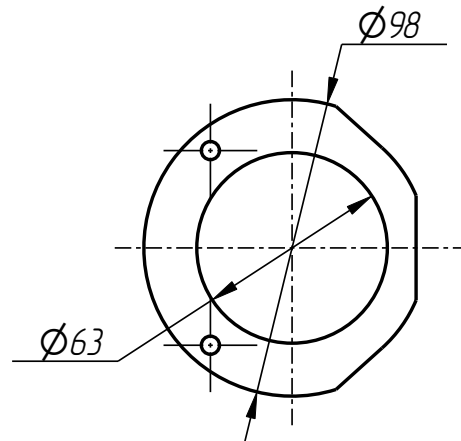
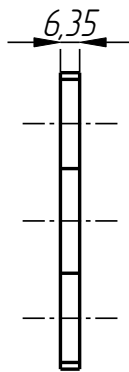
8	Screw M12x12 GOST 11074-93		2
9	Spring pin ϕ 5x16 DIN 1481		4



Lower lever
DF-401-054-001

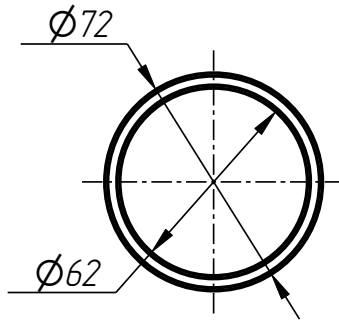
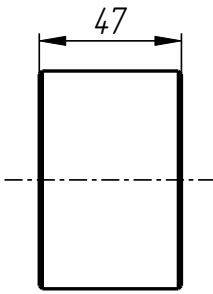


Upper lever
DF-401-054-002

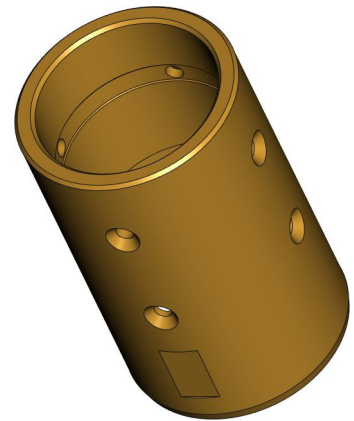
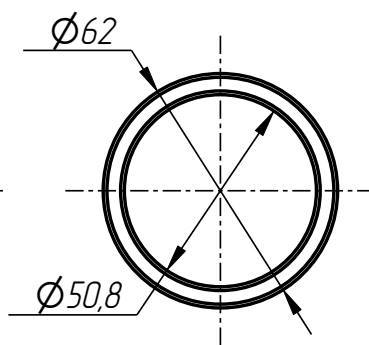
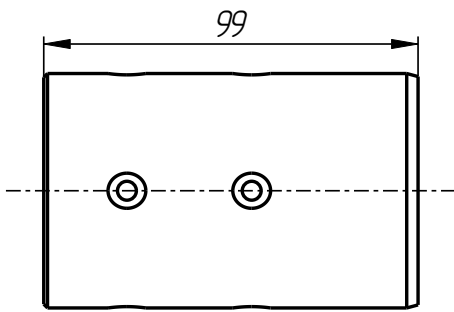


Remote washer
DF-401-001-003

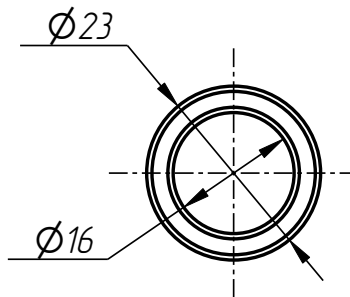
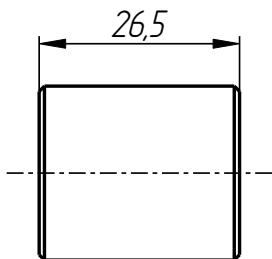
DF-401-054



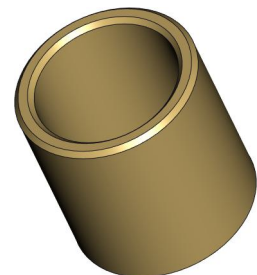
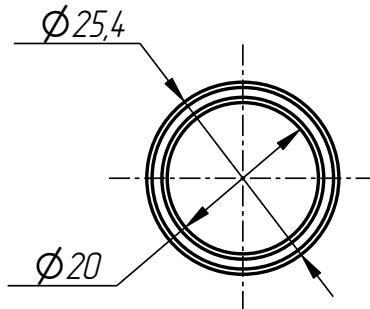
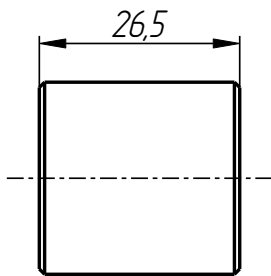
Bushing
DF-401-001-004



Bushing
DF-401-001-005



Bushing
DF-401-054-003



Bushing
DF-401-054-004