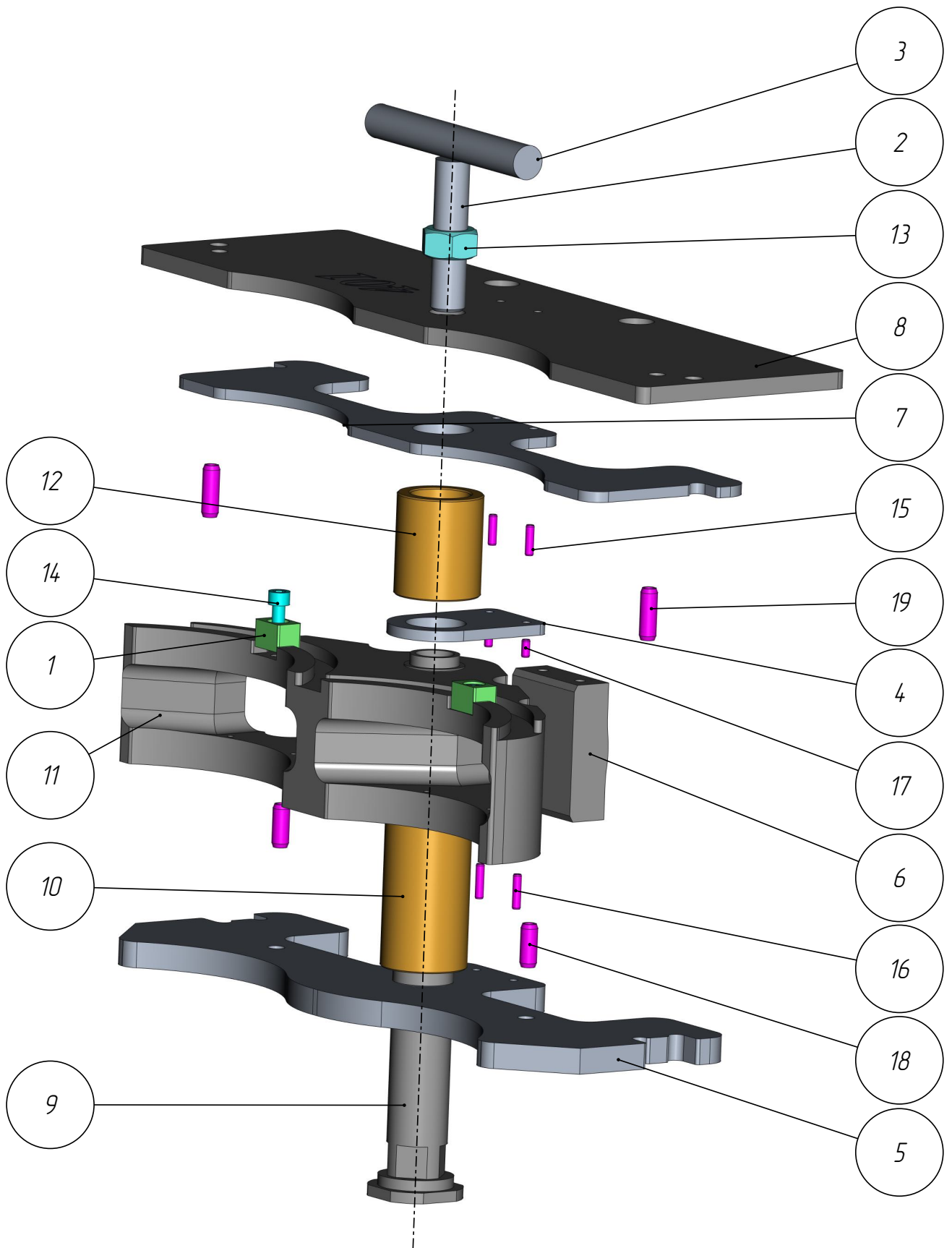


401

DF-401-053

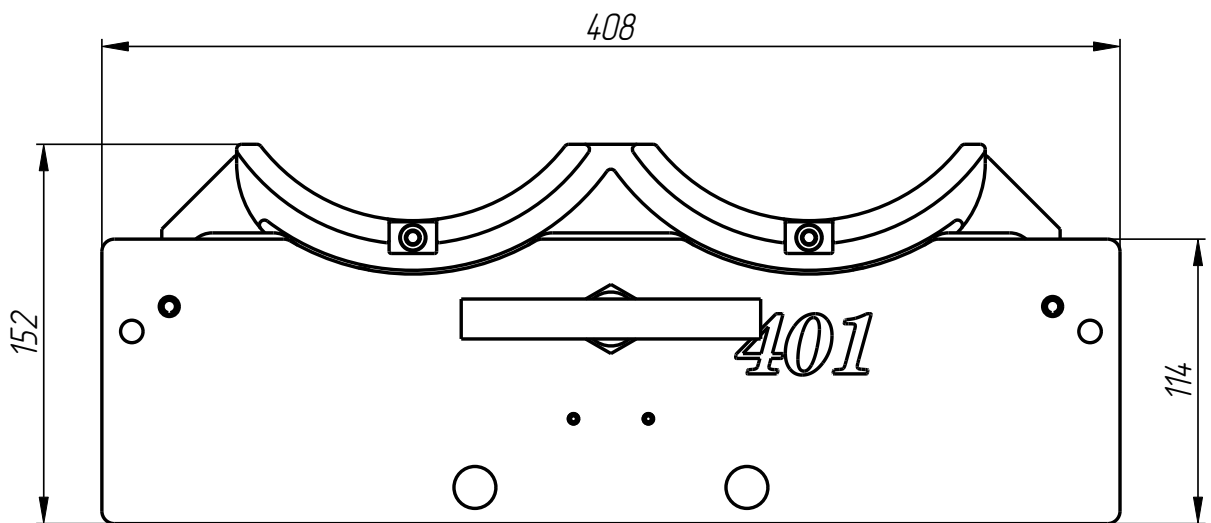
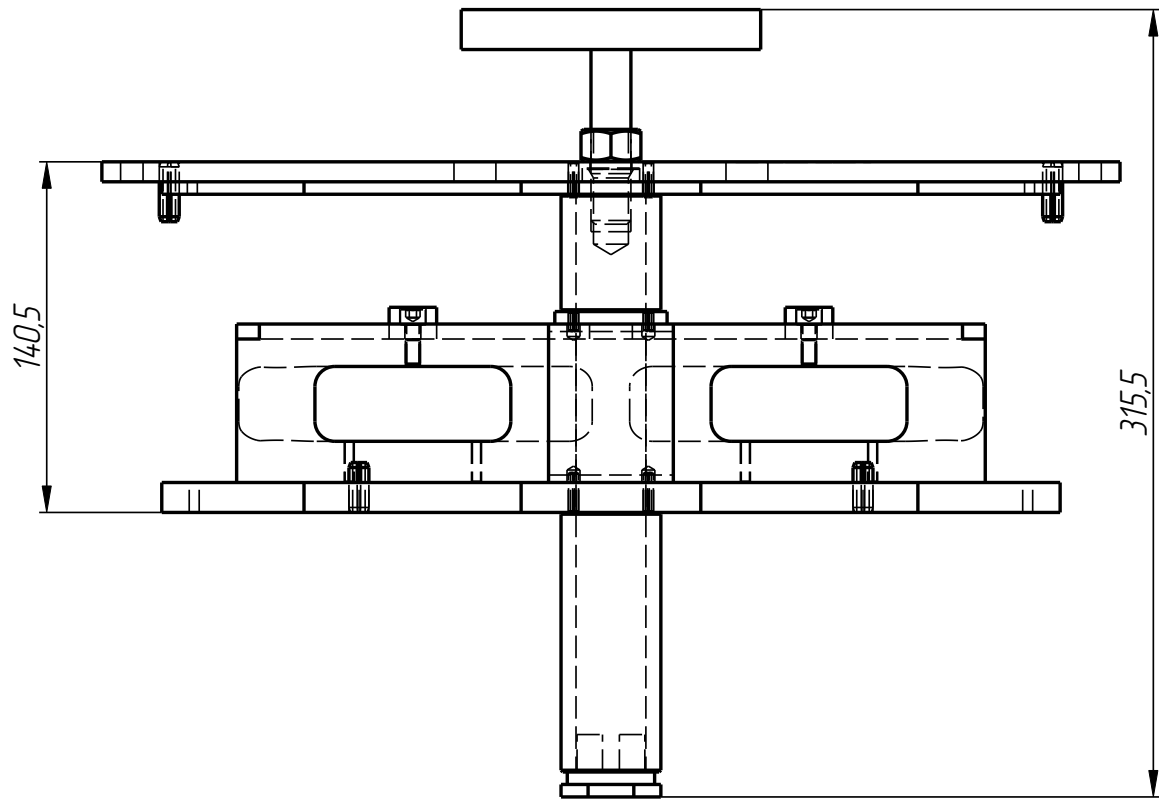
Form Holder
(DF-AL-09750211)



DF-401-053

Form Holder
(DF-AL-09750211)
DF-401-053

401



DF-401-053

DF-401-053

Form Holder
(DF-AL-09750211)

Specification

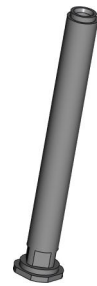
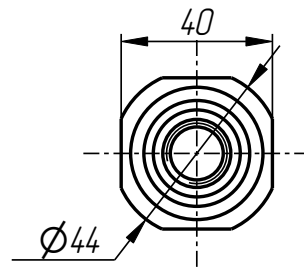
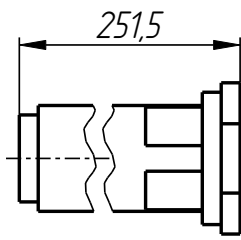
Nº pos.	Code	Name	Qty
<i>Parts:</i>			
1	DF-401-028-001-007-003	Holding plate	2
2	DF-401-050-001-010	Desk	1
3	DF-401-050-001-011	Desk	1
4	DF-401-050-001-012	Earring	1
5	DF-401-052-003	Stove	1
6	DF-401-052-005	Support bar	1
7	DF-401-052-007	Plate between	1
8	DF-401-052-008	Upper plate	1
9	DF-401-053-001	Axis	1
10	DF-401-053-002	Bushing	1
11	DF-401-053-003	Sponge	1
12	DF-401-053-004	Bushing	1

Standard parts:

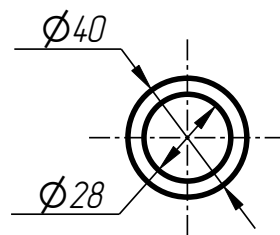
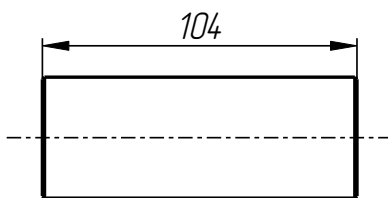
13	Screw M16 ГОСТ 5915-70	1
14	Screw M6x16 DIN 912	2
15	Spring pin ϕ 4x14 DIN 1481	2
16	Spring pin ϕ 4x16 DIN 1481	2
17	Spring pin ϕ 4x8 DIN 1481	2
18	Spring pin ϕ 8x20 DIN 1481	2
19	Spring pin ϕ 8x24 DIN 1481	2

Form Holder
(DF-AL-09750211)
DF-401-053

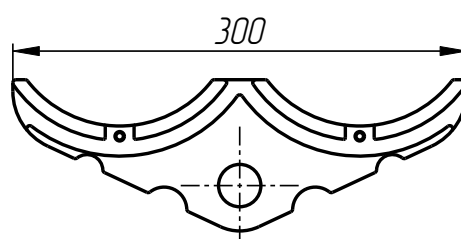
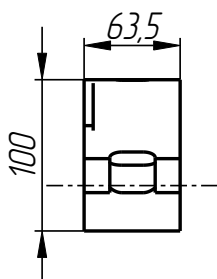
401



Axis
DF-401-053-001

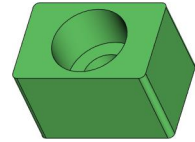
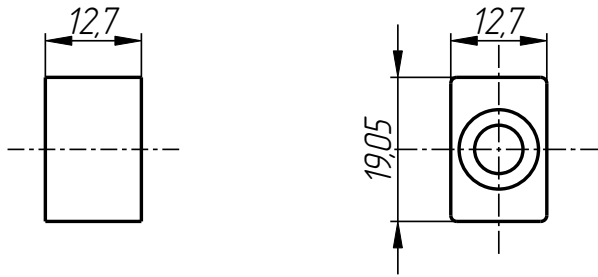


Bushing
DF-401-053-002

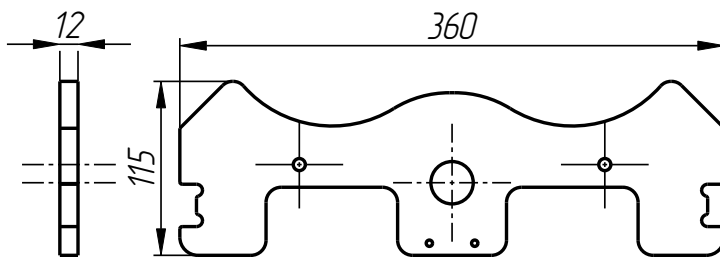


Sponge
DF-401-053-003

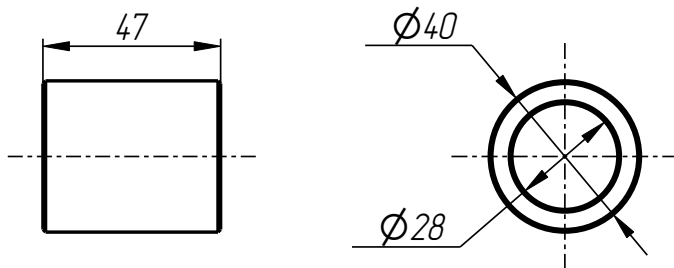
DF-401-053



Holding plate
DF-401-028-001-007-003



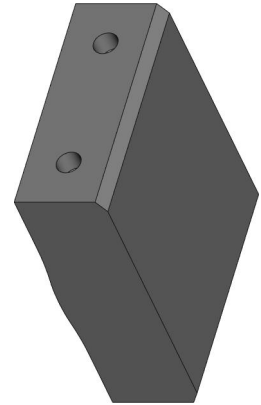
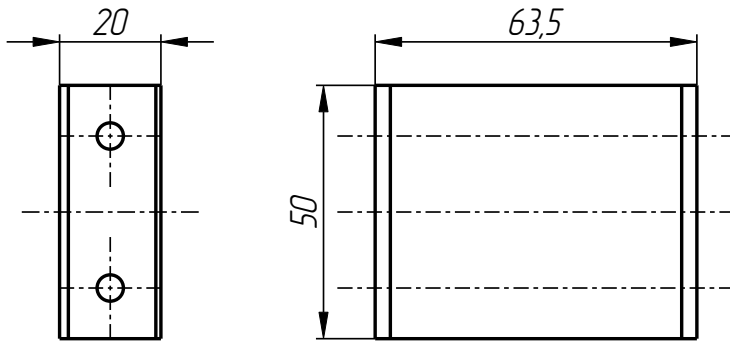
Stove
DF-401-052-003



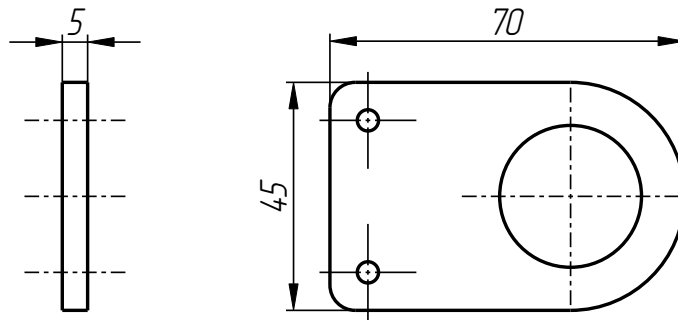
Bushing
DF-401-053-004

Form Holder
(DF-AL-09750211)
DF-401-053

401



Support bar
DF-401-052-005



Earring
DF-401-050-001-012

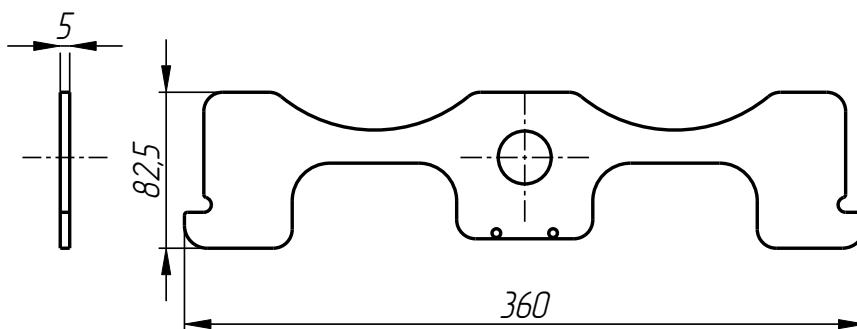
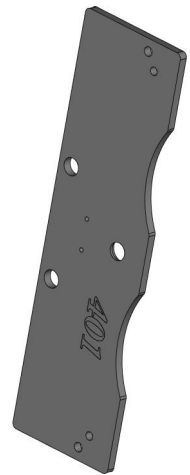
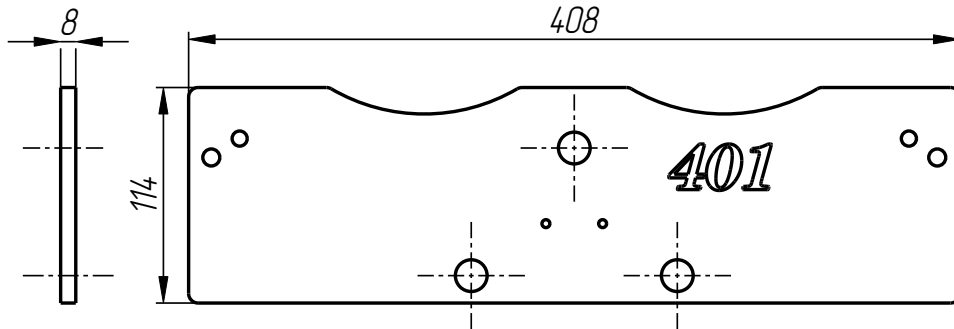


Plate between
DF-401-052-007

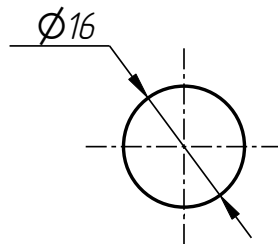
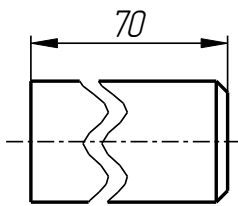
DF-401-053

Form Holder
(DF-AL-09750211)
DF-401-053

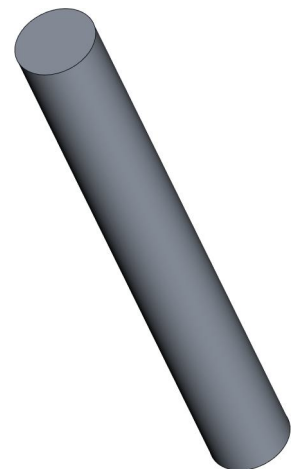
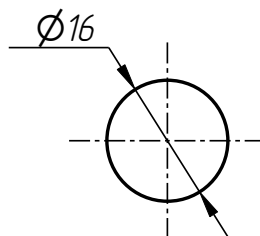
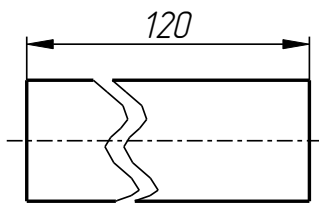
401



Upper plate
DF-401-052-008



Desk
DF-401-050-001-010



Desk
DF-401-050-001-011

DF-401-053