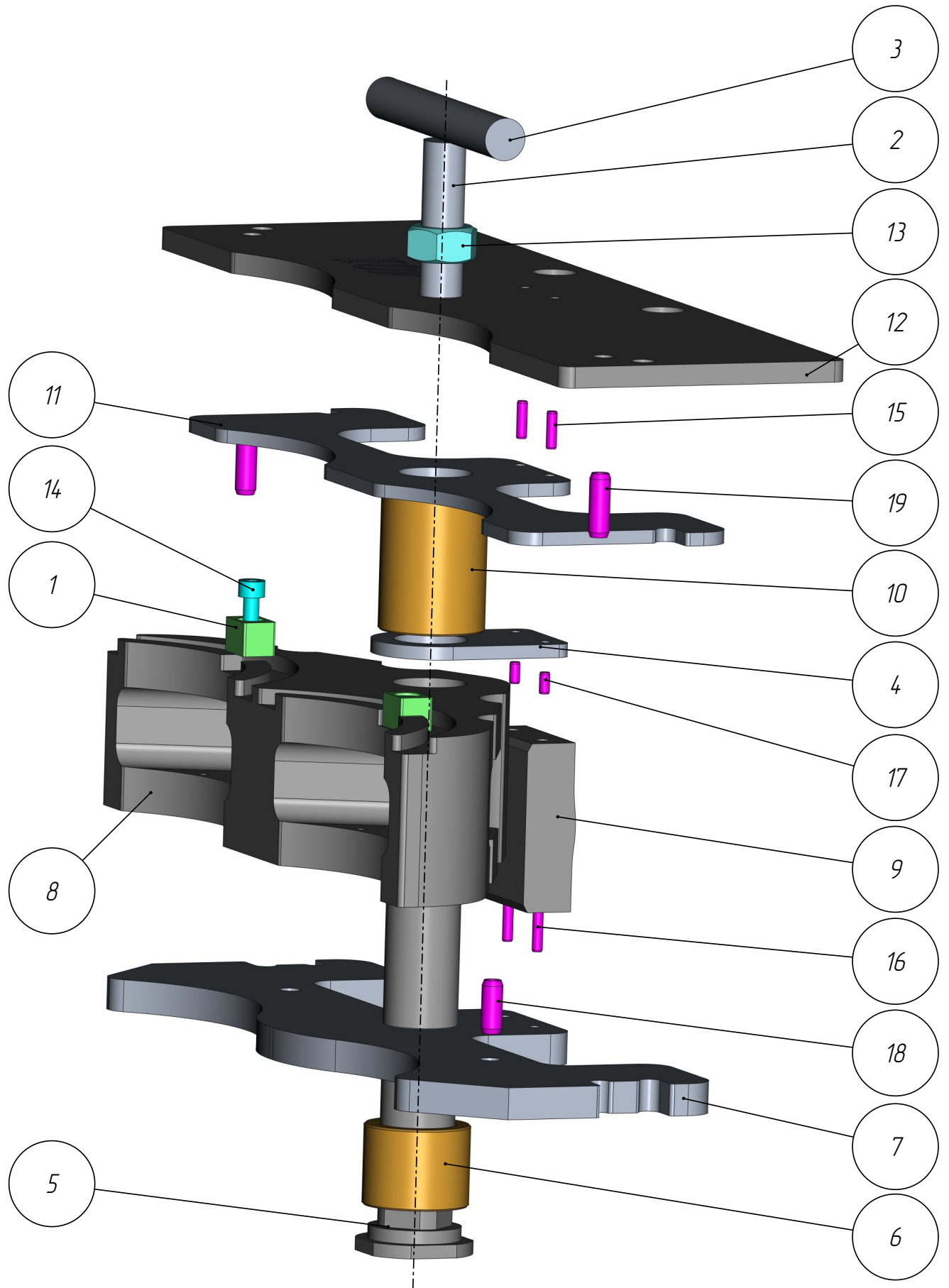


401

DF-401-052

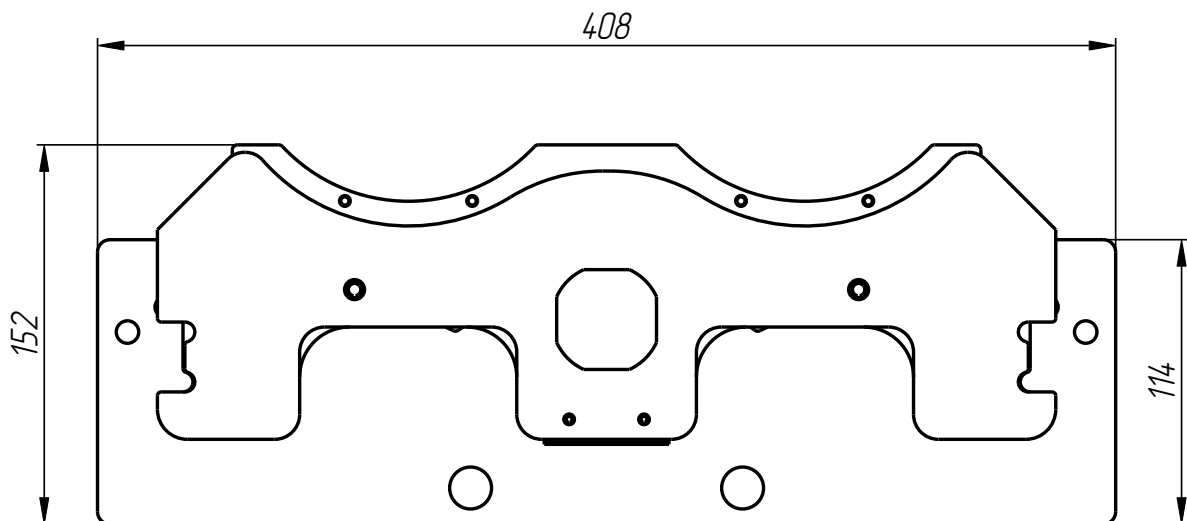
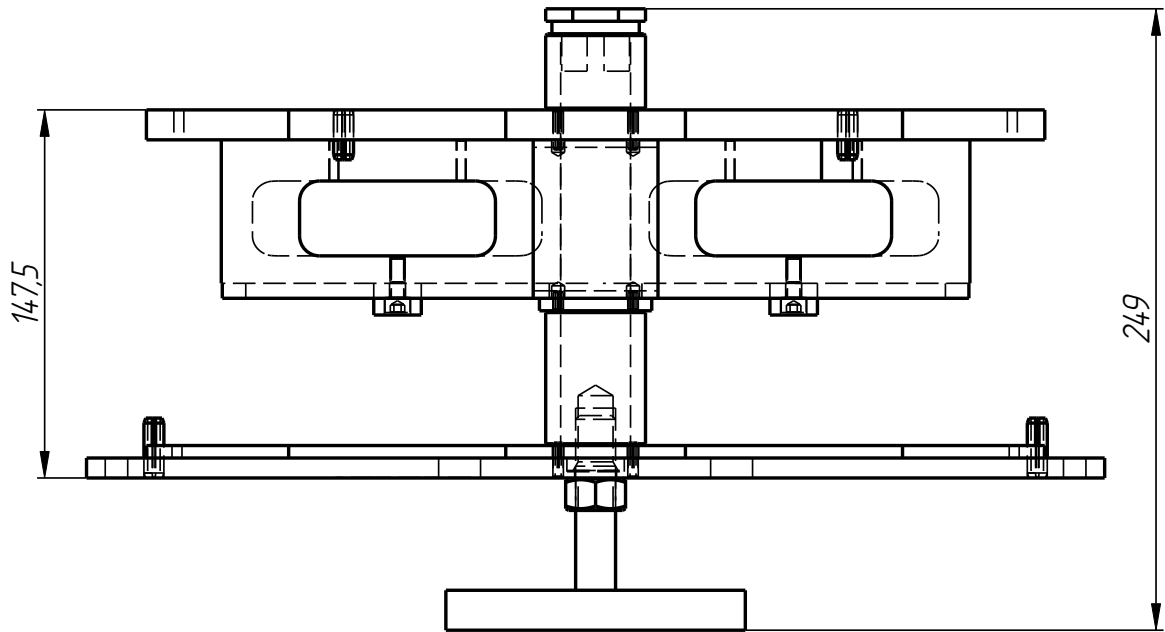
Form Holder
(DF-AL-09750204)



DF-401-052

Form Holder
(DF-AL-09750204)
DF-401-052

401



DF-401-052

DF-401-052

Form Holder
(DF-AL-09750204)

Specification

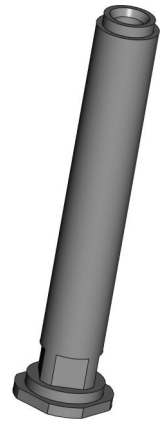
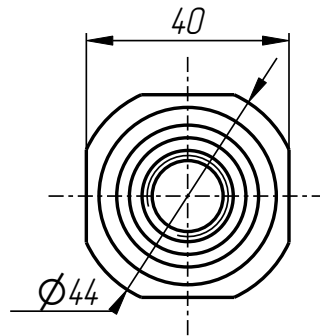
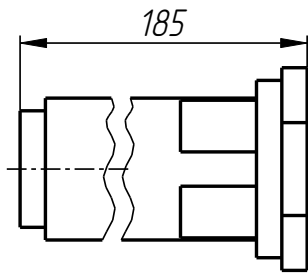
<i>Nº pos.</i>	<i>Code</i>	<i>Name</i>	<i>Qty</i>
<i>Parts:</i>			
1	DF-401-028-001-007-003	Holding plate	2
2	DF-401-050-001-010	Desk	1
3	DF-401-050-001-011	Desk	1
4	DF-401-050-001-012	Earring	1
5	DF-401-052-001	Axis	1
6	DF-401-052-002	Bushing	1
7	DF-401-052-003	Stave	1
8	DF-401-052-004	Sponge	1
9	DF-401-052-005	Support bar	1
10	DF-401-052-006	Bushing	1
11	DF-401-052-007	Plate between	1
12	DF-401-052-008	Upper plate	1

Standard parts:

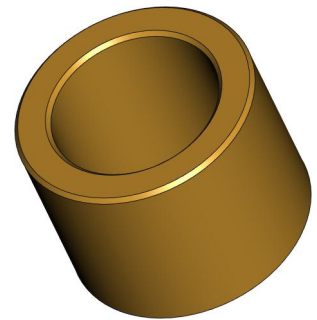
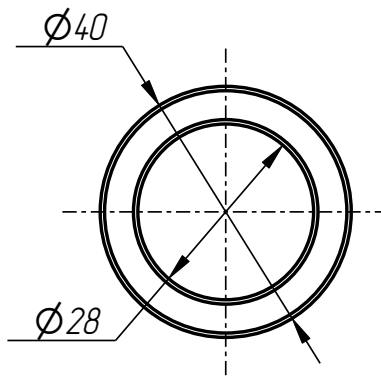
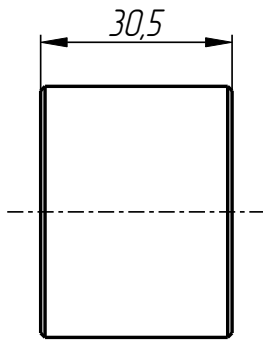
13	Screw M16 ГОСТ 5915-70	1
14	Screw M6x16 DIN 912	2
15	Spring pin ϕ 4x14 DIN 1481	2
16	Spring pin ϕ 4x16 DIN 1481	2
17	Spring pin ϕ 4x8 DIN 1481	2
18	Spring pin ϕ 8x20 DIN 1481	2
19	Spring pin ϕ 8x24 DIN 1481	2

Form Holder
(DF-AL-09750204)
DF-401-052

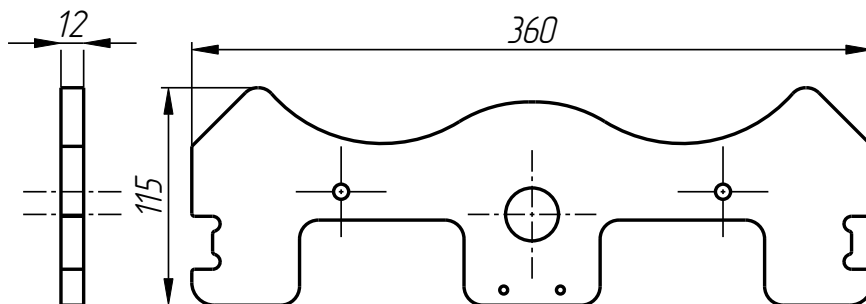
401



Axis
DF-401-052-001



Bushing
DF-401-052-002

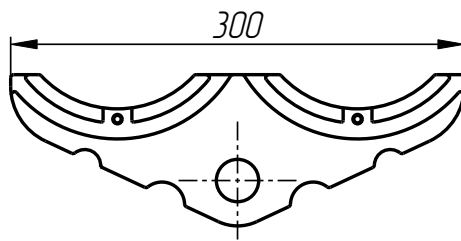
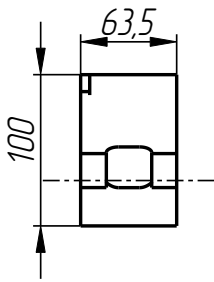


Stave
DF-401-052-003

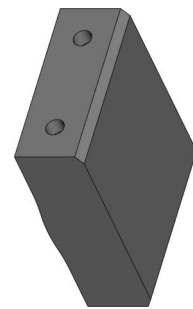
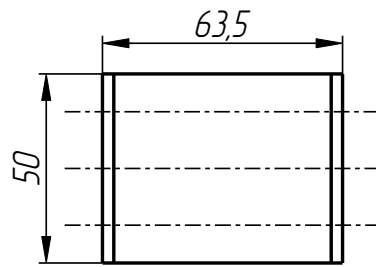
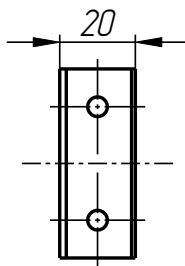
DF-401-052

Form Holder
(DF-AL-09750204)
DF-401-052

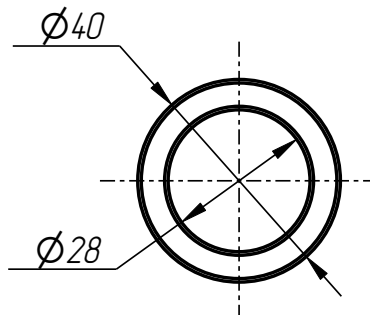
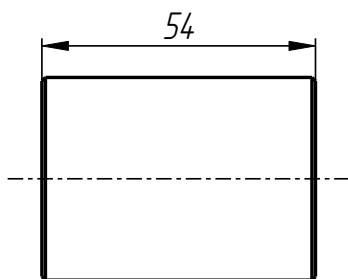
401



Sponge
DF-401-052-004

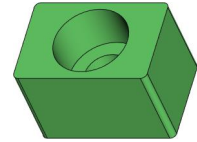
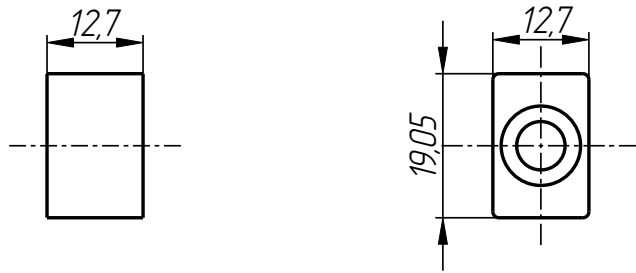


Support bar
DF-401-052-005

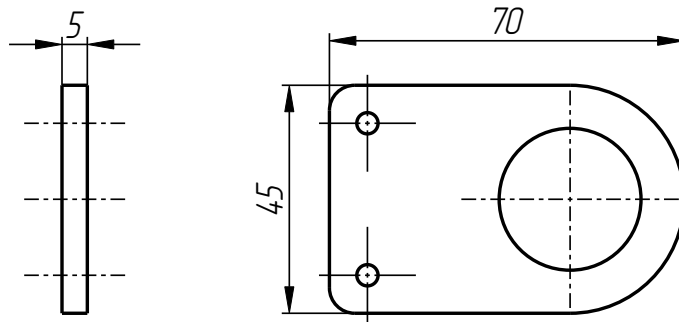


Bushing
DF-401-052-006

DF-401-052



Holding plate
DF-401-028-001-007-003



Earring
DF-401-050-001-012

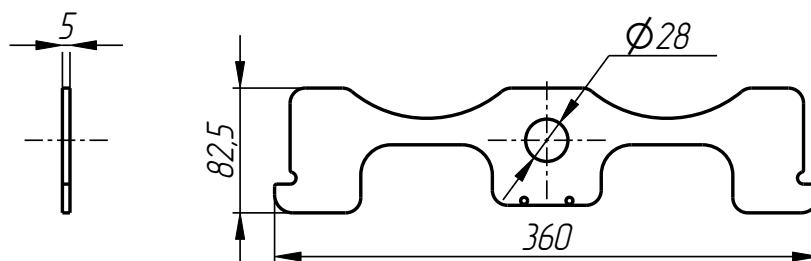
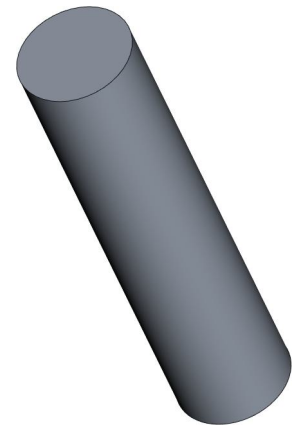
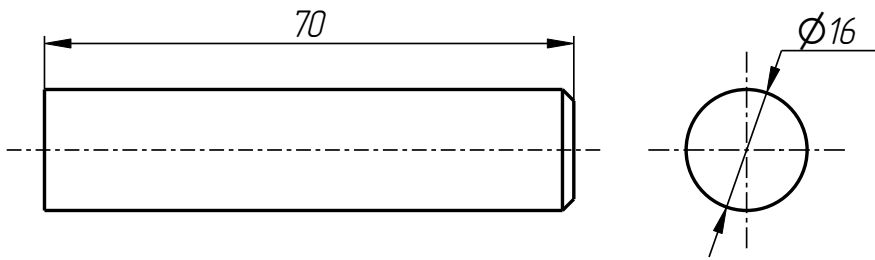


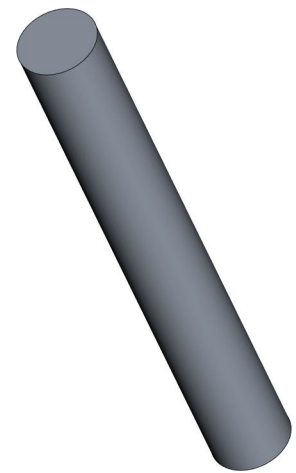
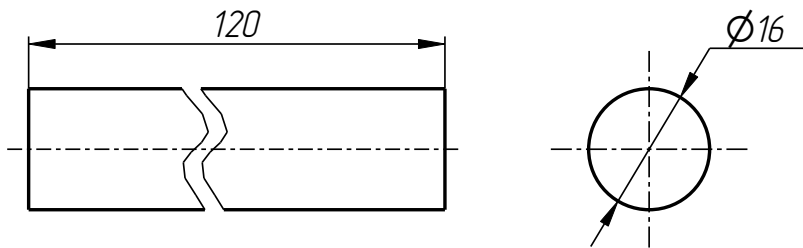
Plate between
DF-401-052-007

Form Holder
(DF-AL-09750204)
DF-401-052

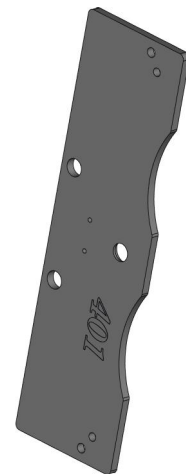
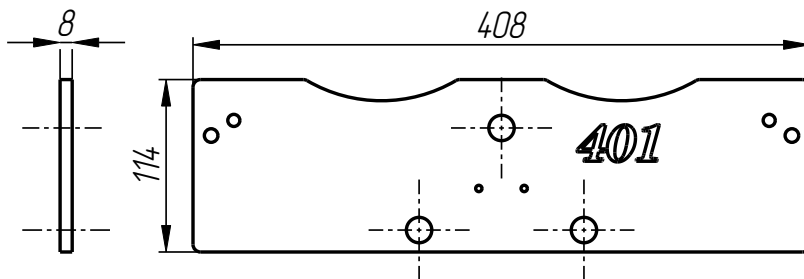
401



Desk
DF-401-050-001-010



Desk
DF-401-050-001-011



Upper plate
DF-401-052-008

DF-401-052