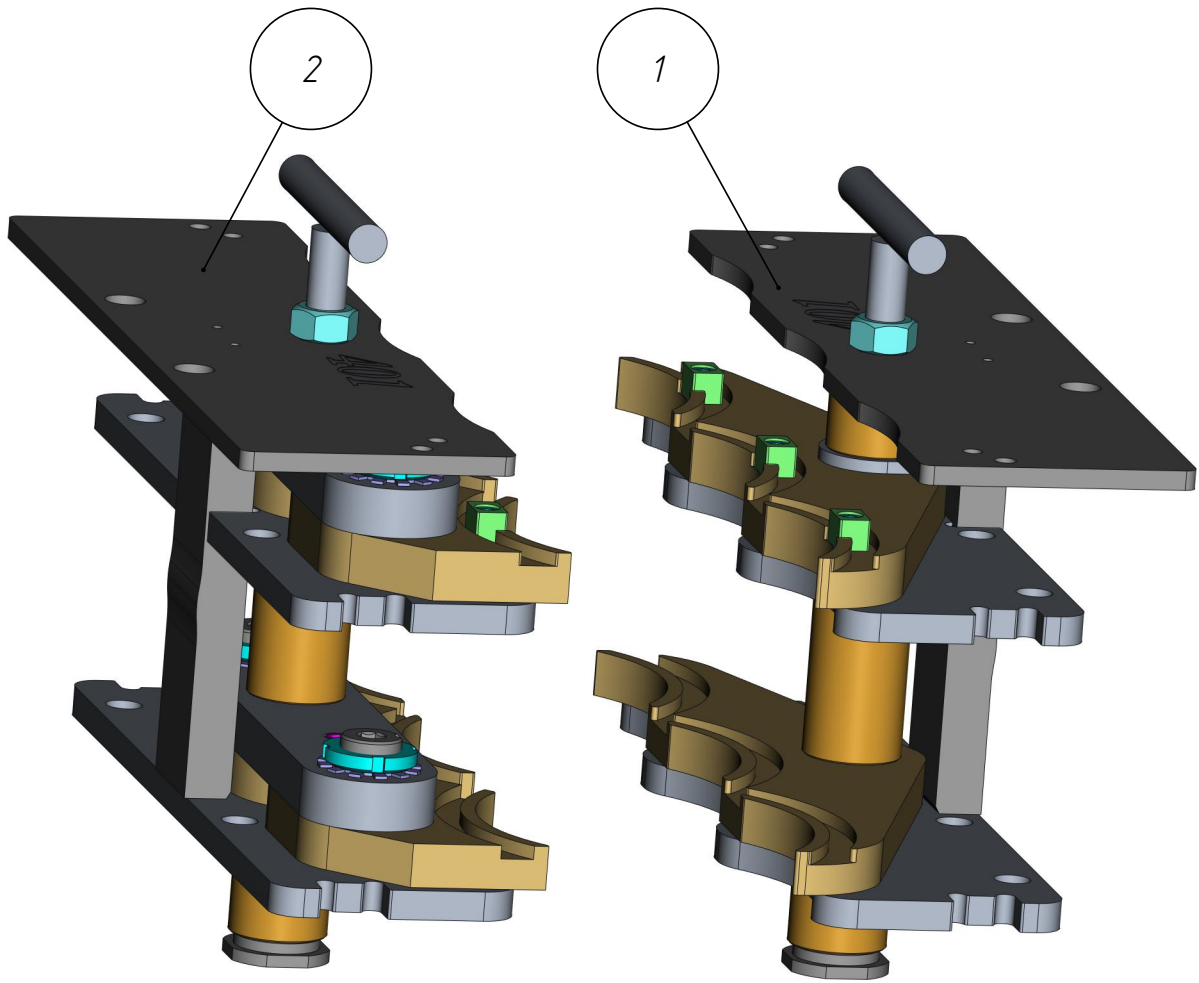


401

DF-401-051

Form Holder
(DF-AL-138-401-200-000)



DF-401-051

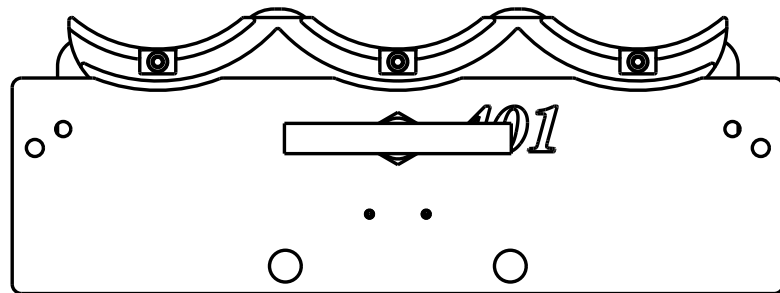
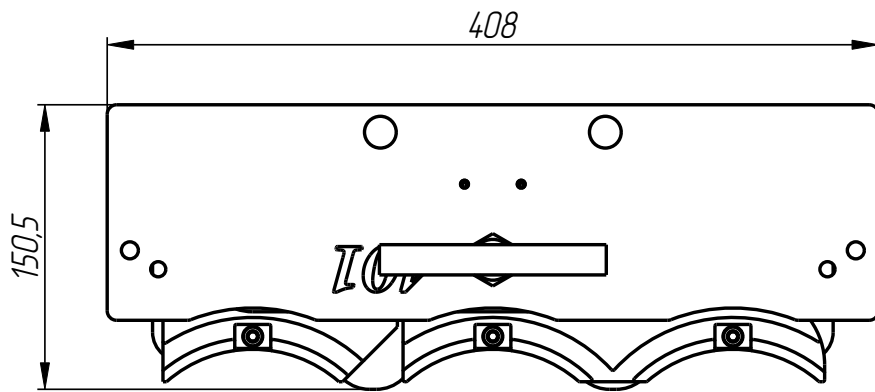
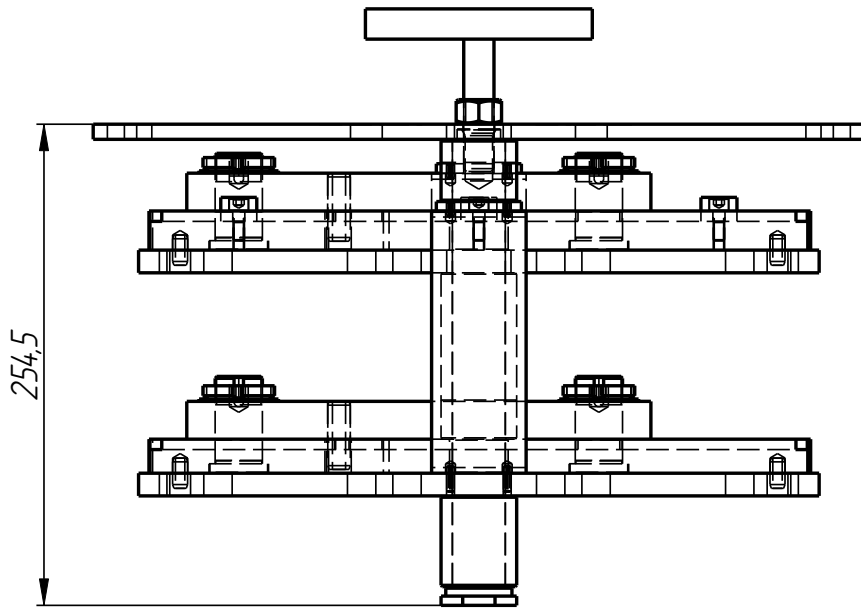
Form Holder
 (DF-AL-138-401-200-000)

Specification

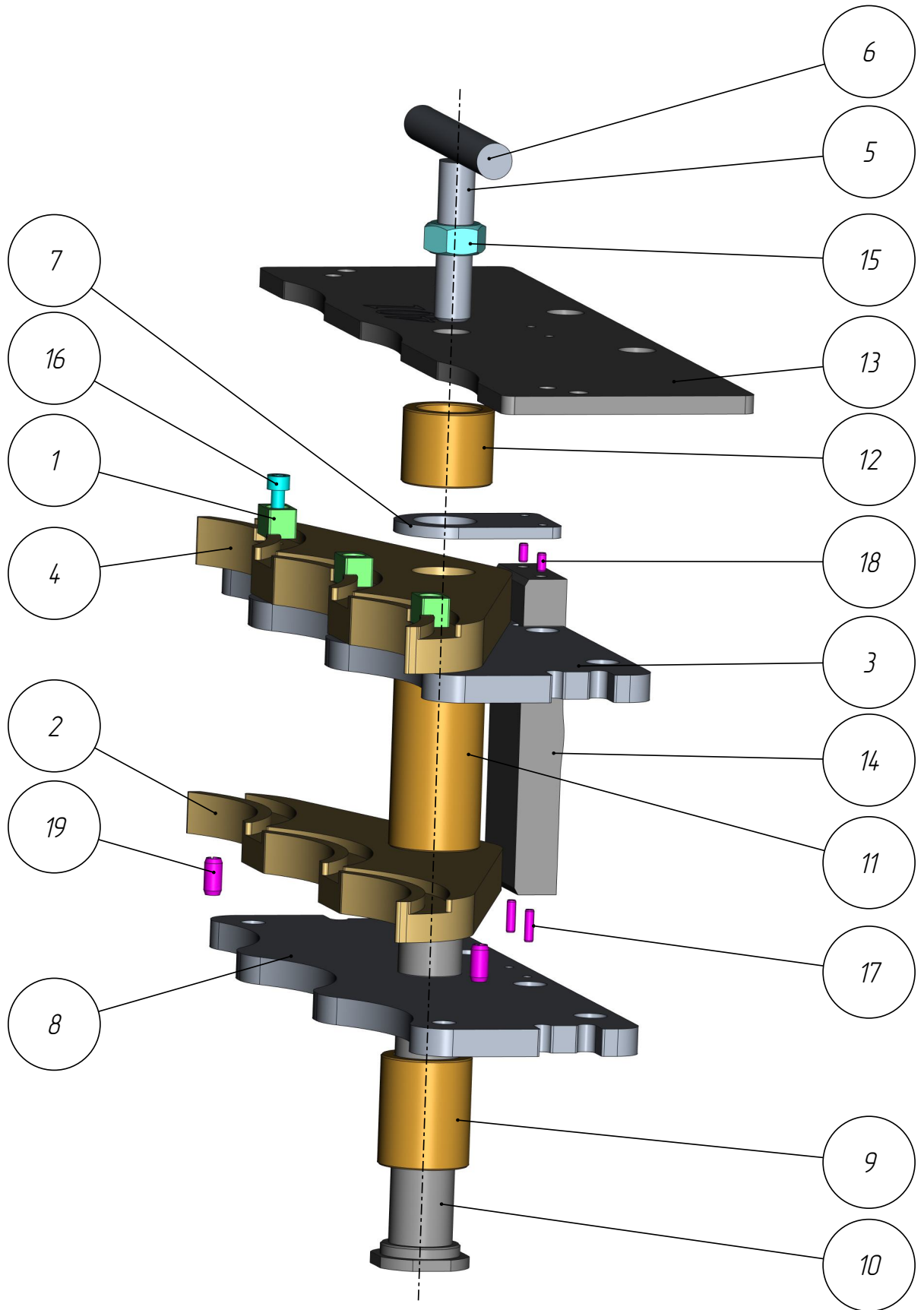
N ^o pos.	Code	Name	Qty
<i>Сборочные единицы:</i>			
1	DF-401-051-001	Movable section	1
2	DF-401-051-002	Fixed section	1

Form Holder
(DF-AL-138-401-200-000)
DF-401-051

401



DF-401-051



DF-401-051-001

DF-401-051-001

Movable section

Specification

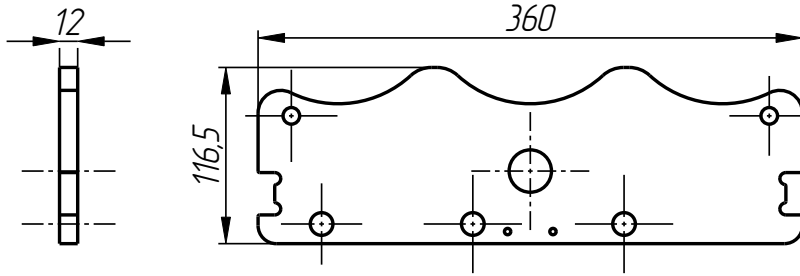
<i>N° pos.</i>	<i>Code</i>	<i>Name</i>	<i>Qty</i>
<i>Parts:</i>			
1	DF-401-028-001-007-003	Holding plate	3
2	DF-401-050-001-002	Lower sponge	1
3	DF-401-050-001-005	Intermediate plate	1
4	DF-401-050-001-006	Upper sponge	1
5	DF-401-050-001-010	Desk	1
6	DF-401-050-001-011	Desk	1
7	DF-401-050-001-012	Earring	1
8	DF-401-051-001-001	Stove	1
9	DF-401-051-001-002	Bushing	1
10	DF-401-051-001-003	Axis	1
11	DF-401-051-001-004	Bushing	1
12	DF-401-051-001-005	Bushing	1
13	DF-401-051-001-006	Stove	1
14	DF-401-051-001-007	Support bar	1

Standard parts:

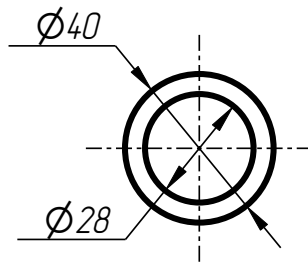
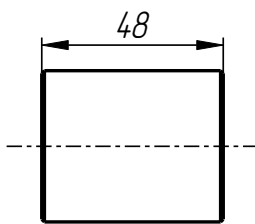
15	Screw M16 ГОСТ 5915-70	1
16	Screw M6x16 DIN 912	3
17	Spring pin ϕ 4x14 DIN 1481	2
18	Spring pin ϕ 4x8 DIN 1481	2
19	Spring pin ϕ 8x16 DIN 1481	4

Movable section
DF-401-051-001

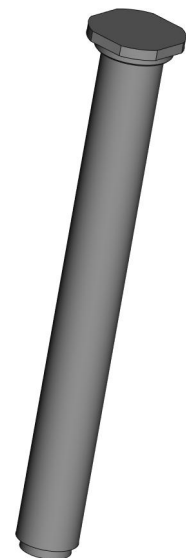
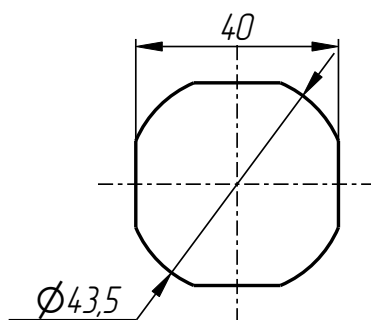
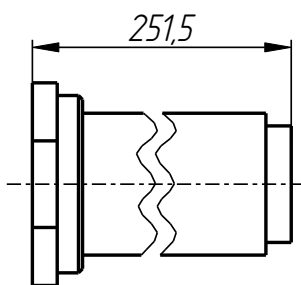
401



Stove
DF-401-051-001-001



Bushing
DF-401-051-001-002

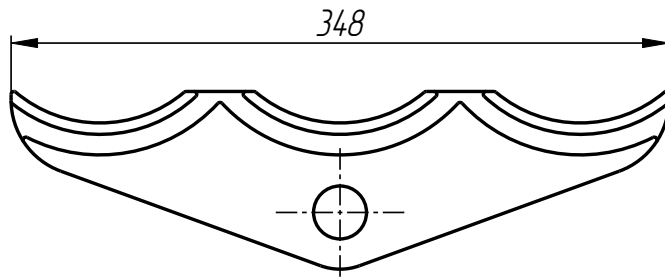
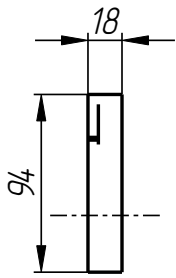


Axis
DF-401-051-001-003

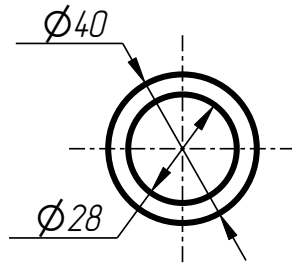
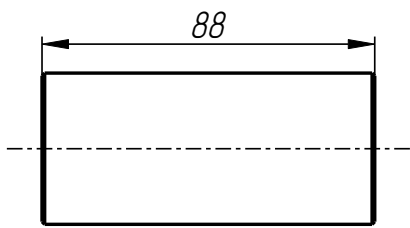
DF-401-051-001

Movable section
DF-401-051-001

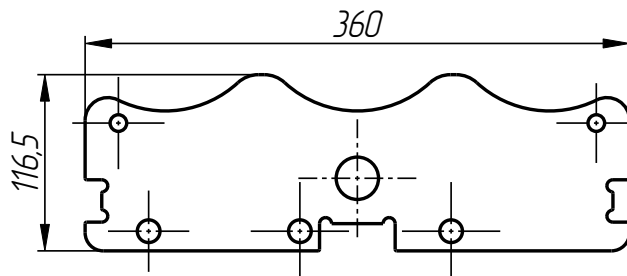
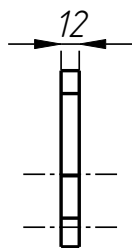
401



Lower sponge
DF-401-050-001-002

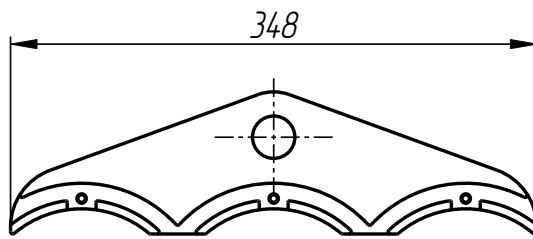
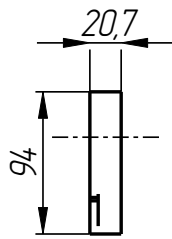


Bushing
DF-401-051-001-004

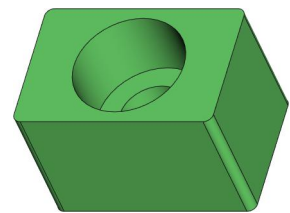
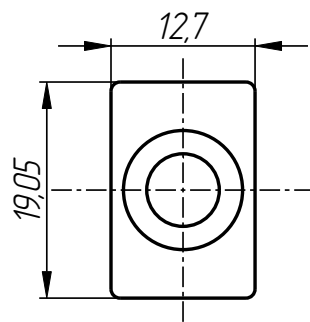
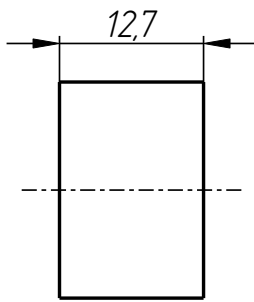


Intermediate plate
DF-401-050-001-005

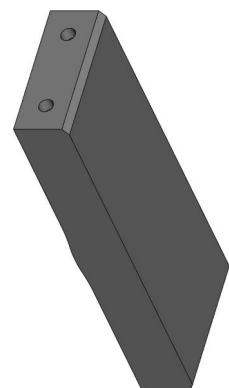
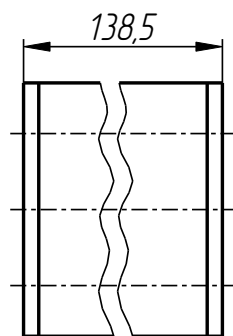
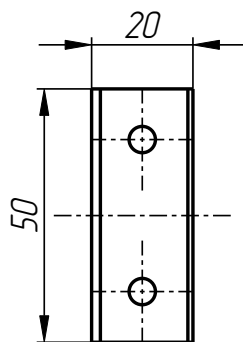
DF-401-051-001



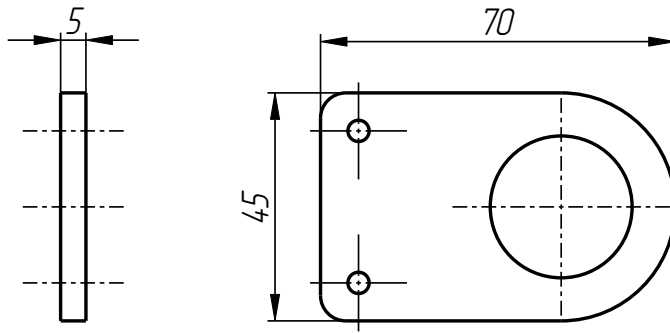
Upper sponge
DF-401-050-001-006



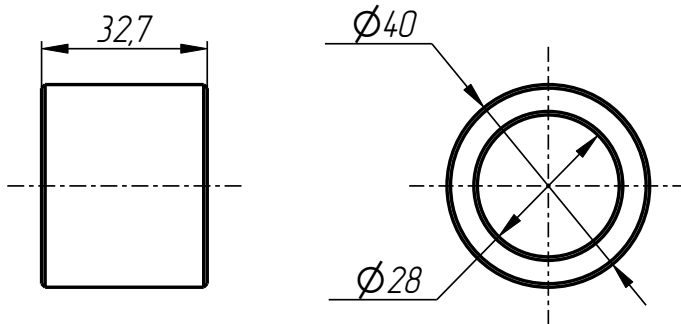
Holding plate
DF-401-028-001-007-003



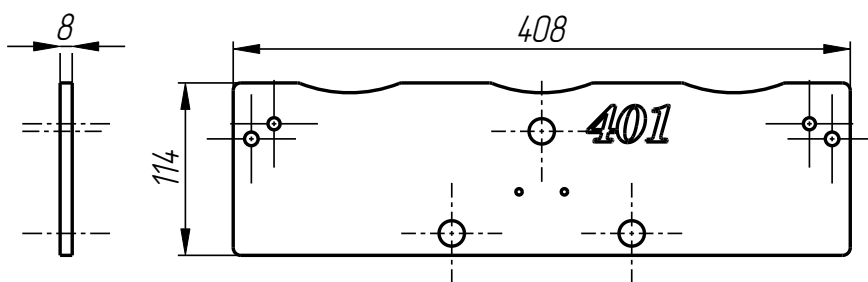
Support bar
DF-401-051-001-007



Earring
DF-401-050-001-012

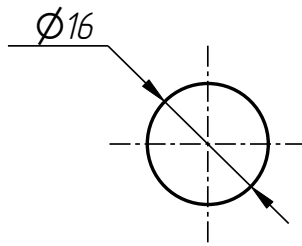
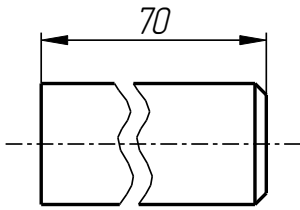


Bushing
DF-401-051-001-005

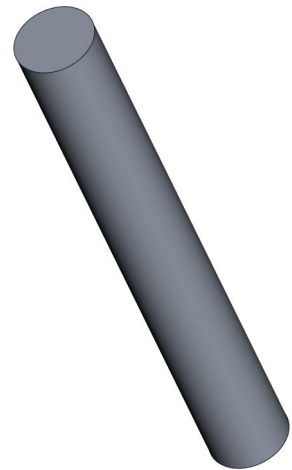
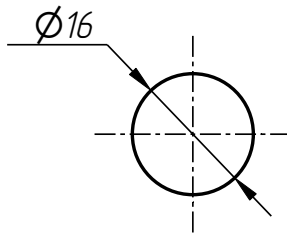
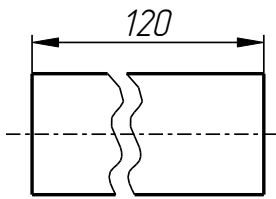


Stove
DF-401-051-001-006

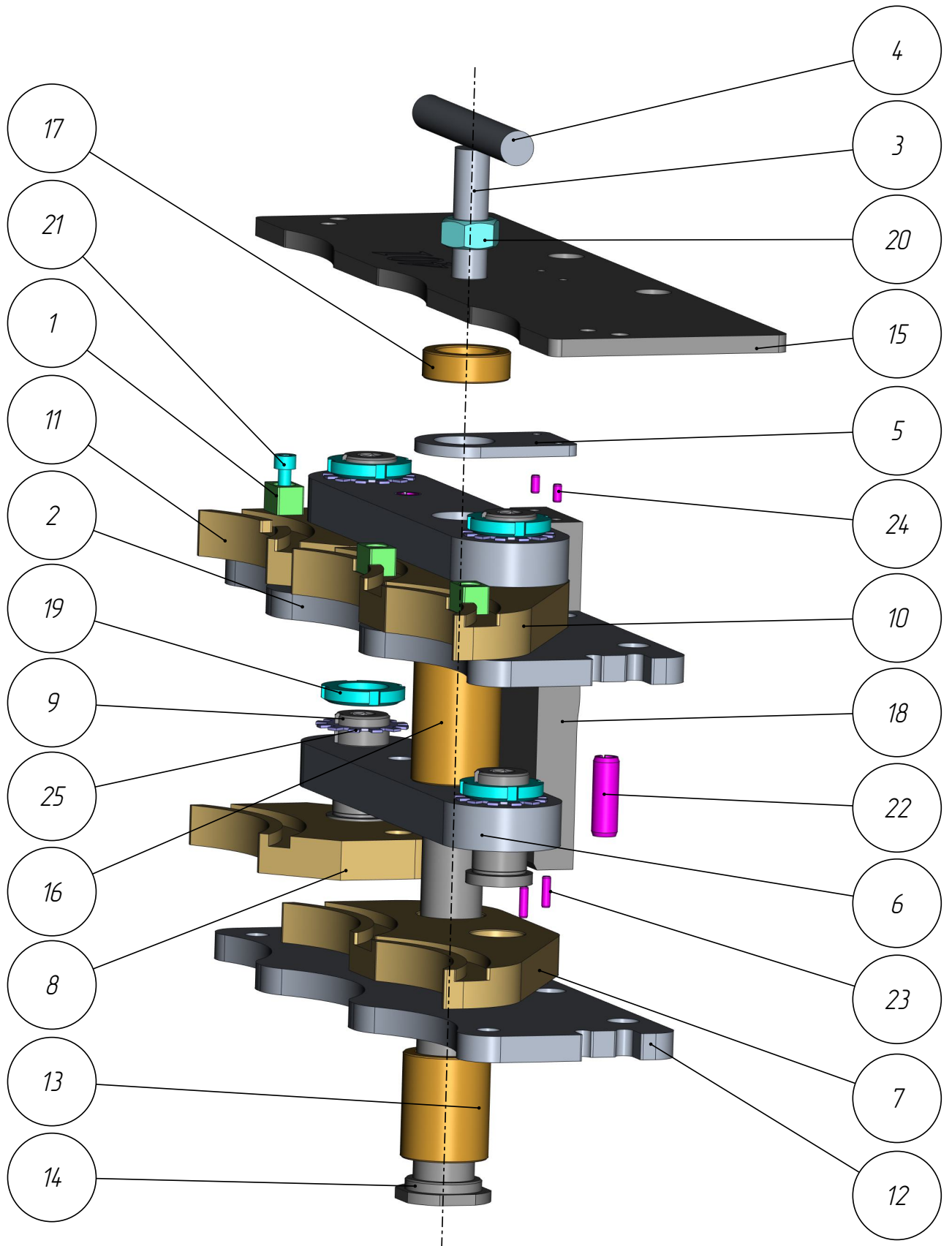
DF-401-051-001



Desk
DF-401-050-001-010



Desk
DF-401-050-001-011



DF-401-051-002

DF-401-051-002

Fixed section

Specification

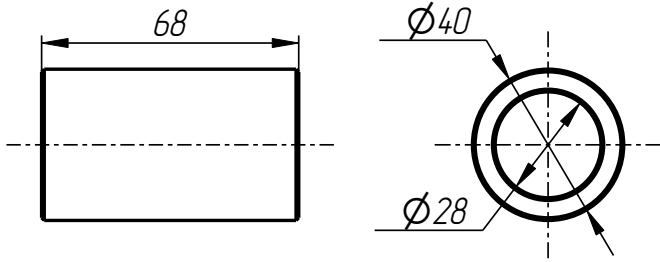
N° pos.	Code	Name	Qty
---------	------	------	-----

Parts:

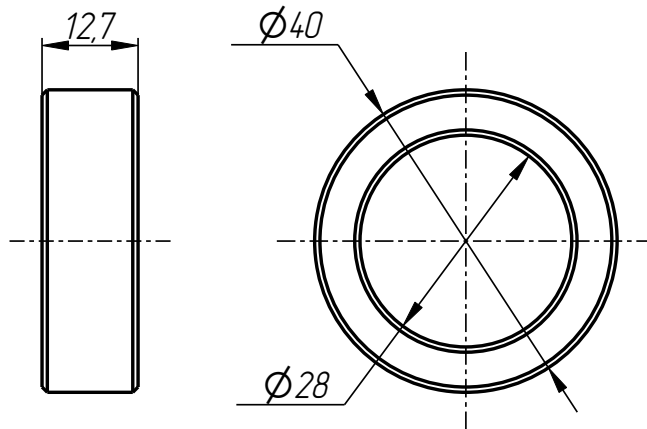
1	DF-401-028-001-007-003	Holding plate	3
2	DF-401-050-001-005	Intermediate plate	1
3	DF-401-050-001-010	Desk	1
4	DF-401-050-001-011	Desk	1
5	DF-401-050-001-012	Earring	1
6	DF-401-050-002-001	Mounting plate	2
7	DF-401-050-002-002	Lower sponge	1
8	DF-401-050-002-003	Lower sponge	1
9	DF-401-050-002-004	Axis	4
10	DF-401-050-002-006	Upper sponge	1
11	DF-401-050-002-007	Upper sponge	1
12	DF-401-051-001-001	Stave	1
13	DF-401-051-001-002	Bushing	1
14	DF-401-051-001-003	Axis	1
15	DF-401-051-001-006	Stave	1
16	DF-401-051-002-001	Bushing	1
17	DF-401-051-002-002	Bushing	1
18	DF-401-051-002-003	Support bar	1

Standard parts:

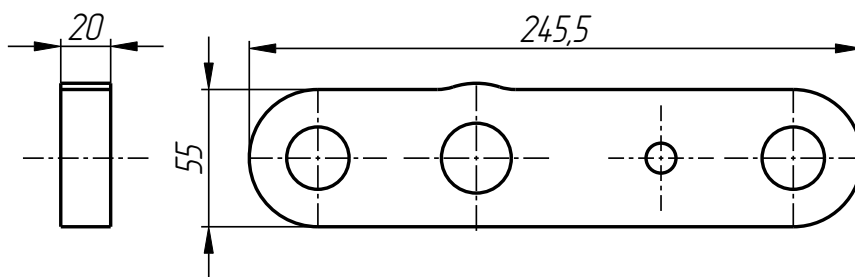
19	Nut KM 5 DIN 981	4
20	Screw M16 ГОСТ 5915-70	1
21	Screw M6x16 DIN 912	3
22	Spring pin ϕ 12x36 DIN 1481	2
23	Spring pin ϕ 4x14 DIN 1481	2
24	Spring pin ϕ 4x8 DIN 1481	2
25	Washer MB 5 DIN 5406	4



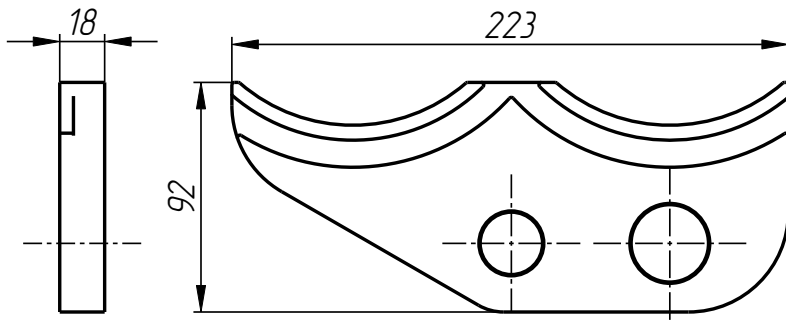
Bushing
DF-401-051-002-001



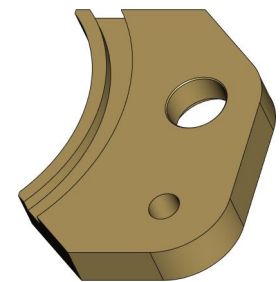
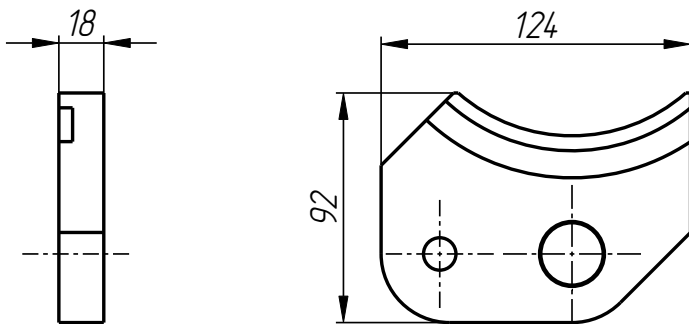
Bushing
DF-401-051-002-002



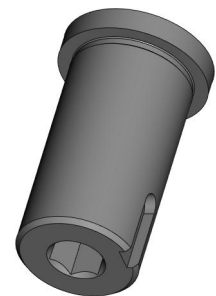
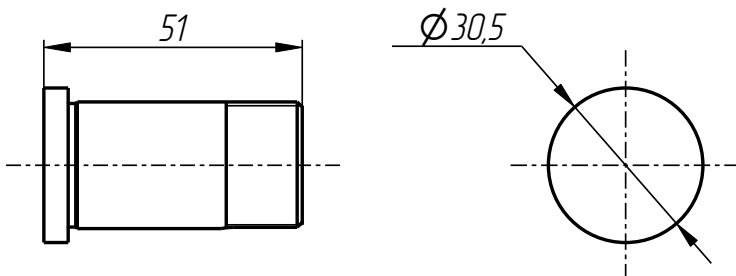
Mounting plate
DF-401-050-002-001



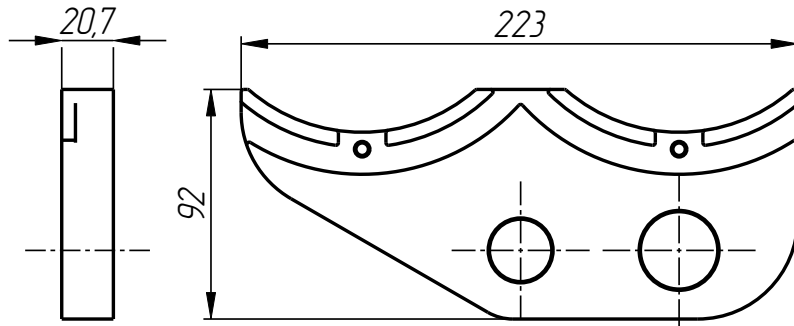
Lower sponge
DF-401-050-002-002



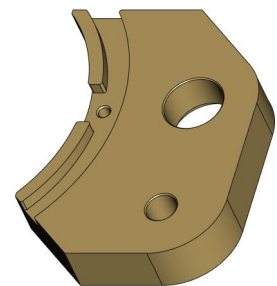
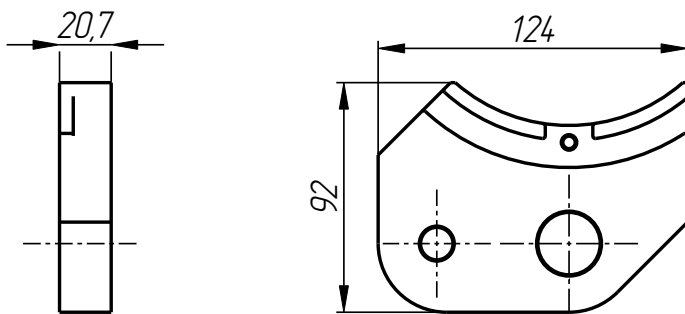
Lower sponge
DF-401-050-002-003



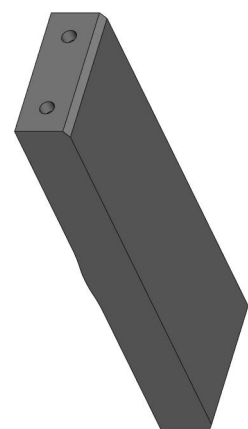
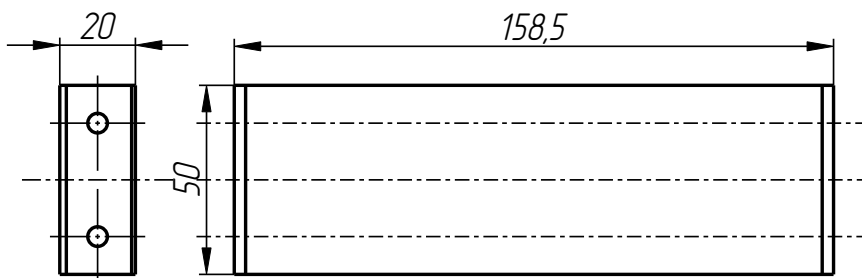
Axis
DF-401-050-002-004



Upper sponge
DF-401-050-002-006



Upper sponge
DF-401-050-002-007



Support bar
DF-401-051-002-003