

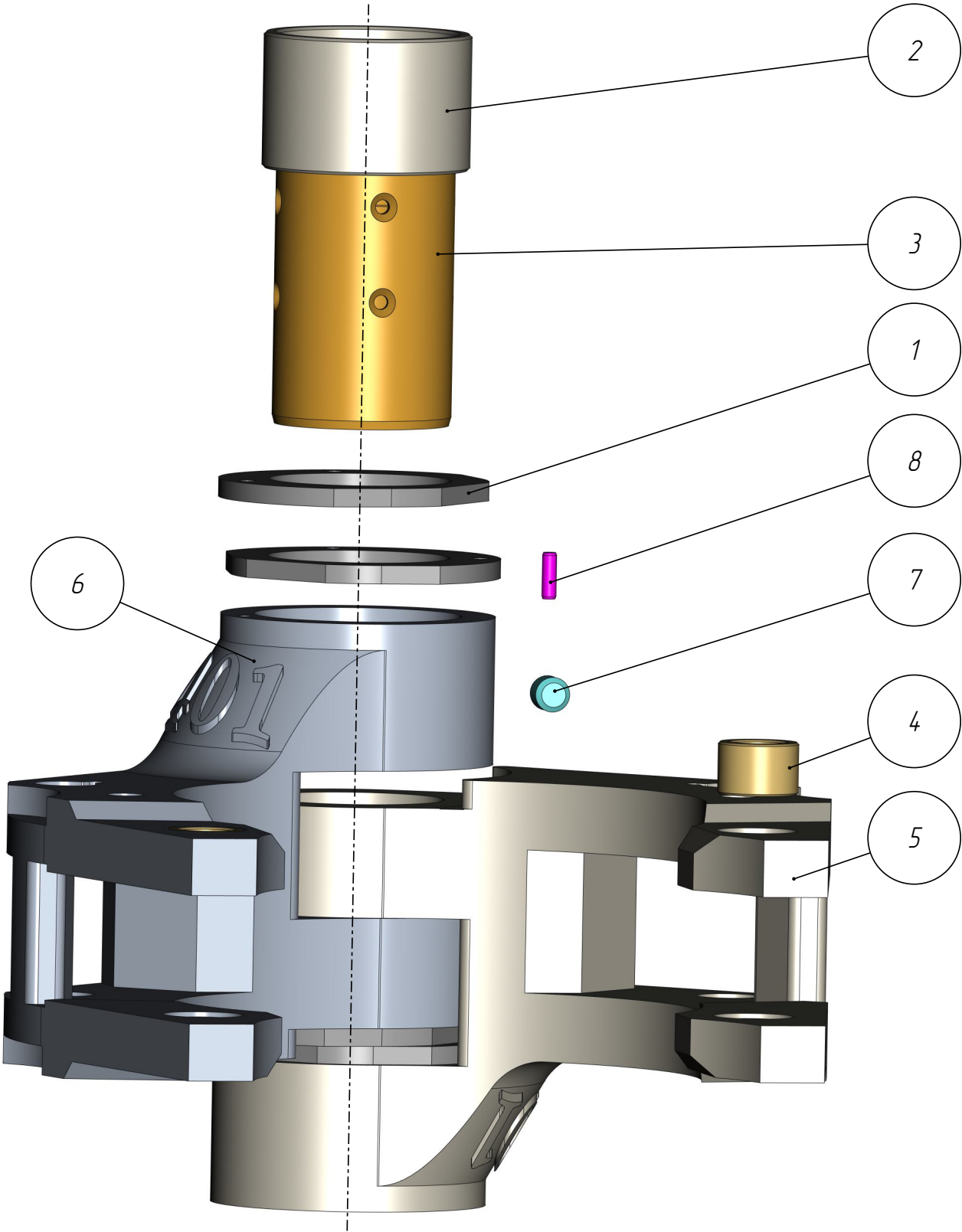
*401*

*DF-401-049*

*Form Holder  
(DF-23-171)*

Form Holder  
(DF-23-171)  
DF-401-049

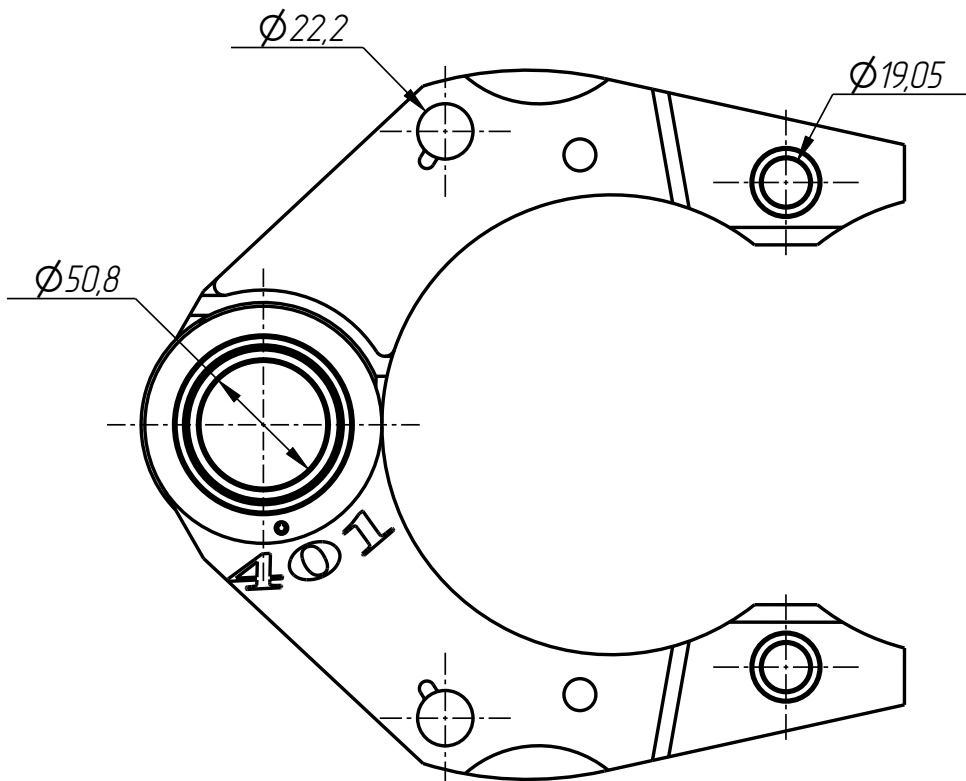
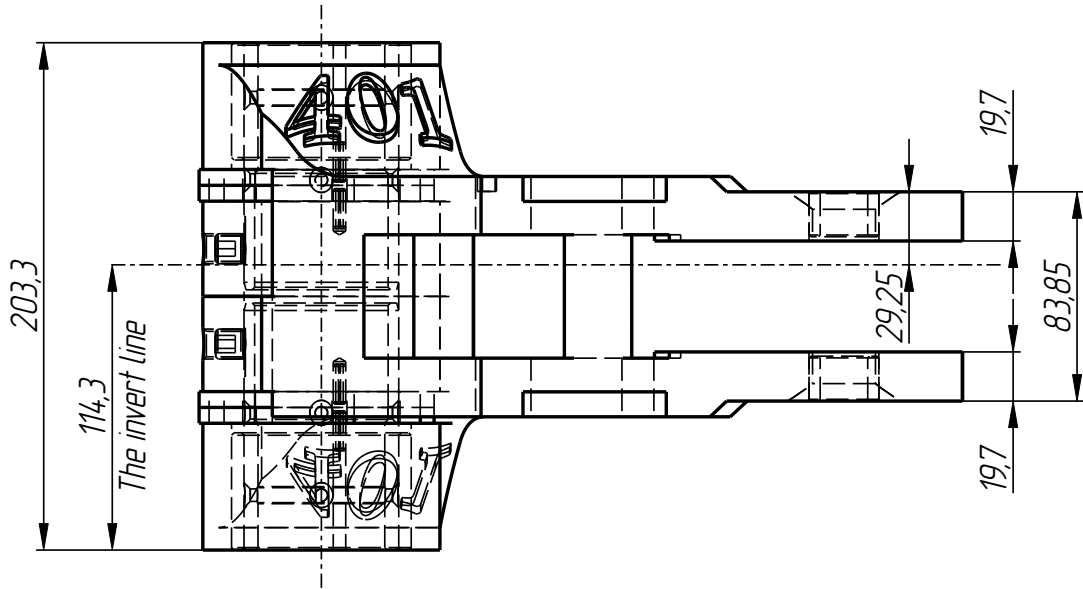
401



DF-401-049

Form Holder  
(DF-23-171)  
DF-401-049

401



DF-401-049

# DF-401-049

Form Holder  
(DF-23-171)

## Specification

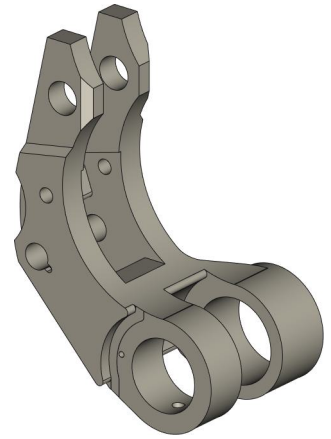
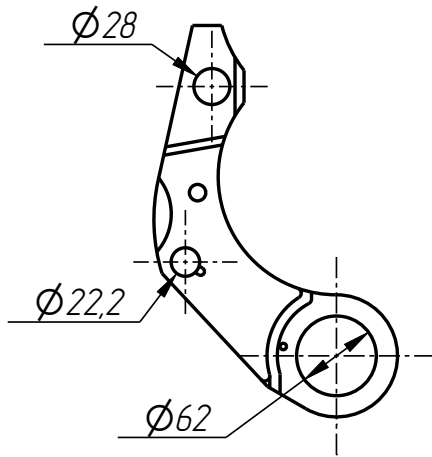
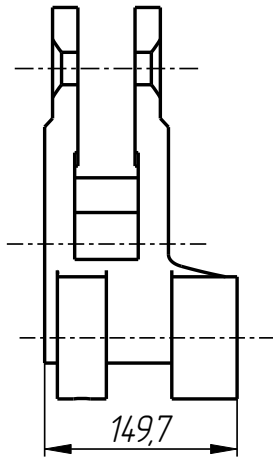
<i>Nº pos.</i>	<i>Code</i>	<i>Name</i>	<i>Qty</i>
----------------	-------------	-------------	------------

### Parts:

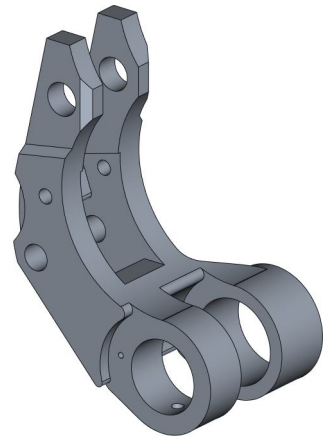
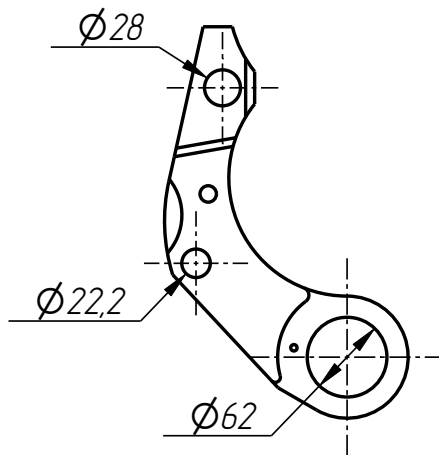
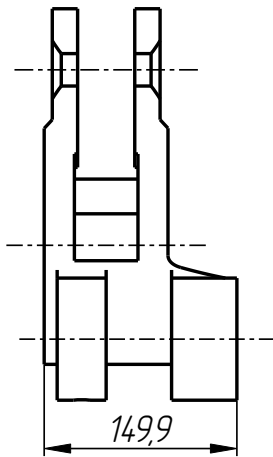
1	DF-401-001-003	Remote washer	4
2	DF-401-001-004	Bushing	2
3	DF-401-001-005	Bushing	2
4	DF-401-003-001	Bushing	4
5	DF-401-049-001	Lower lever	1
6	DF-401-049-002	Upper lever	1

### Standard parts:

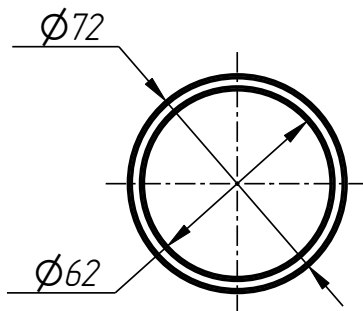
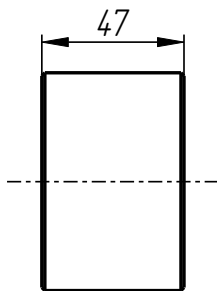
7	Screw M12x12 GOST 11074-93		2
8	Spring pin $\phi$ 5x16 DIN 1481		4



Lower lever  
DF-401-049-001



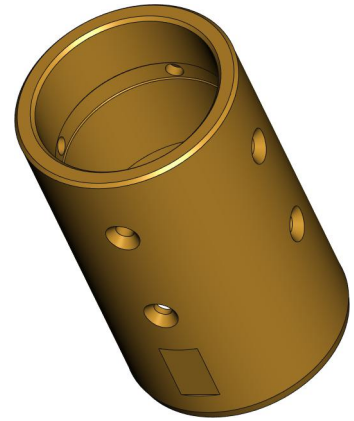
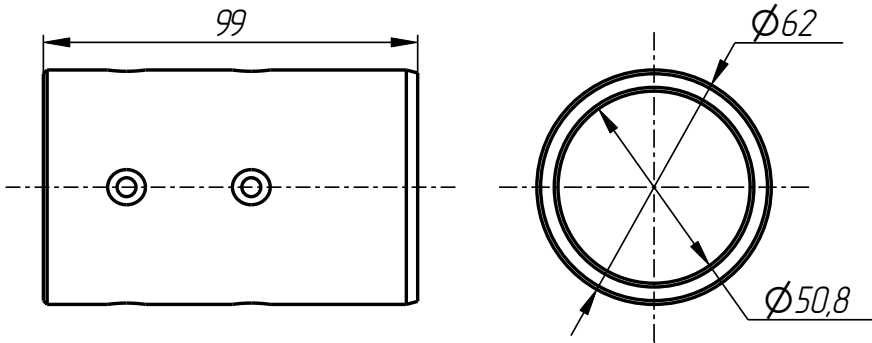
Upper lever  
DF-401-049-002



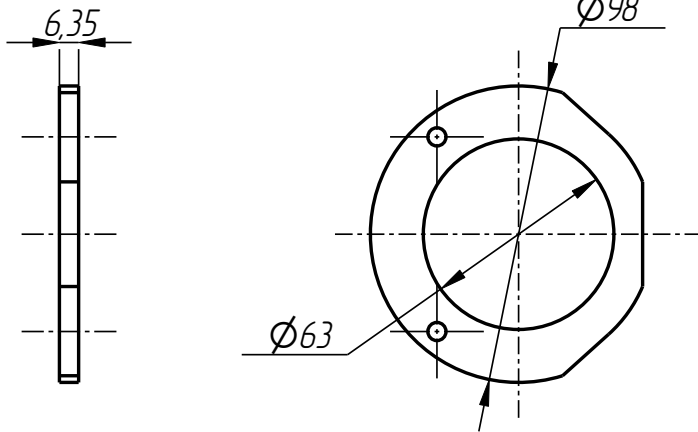
Bushing  
DF-401-001-004

Form Holder  
(DF-23-171)  
DF-401-049

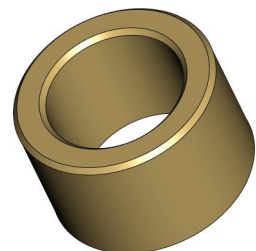
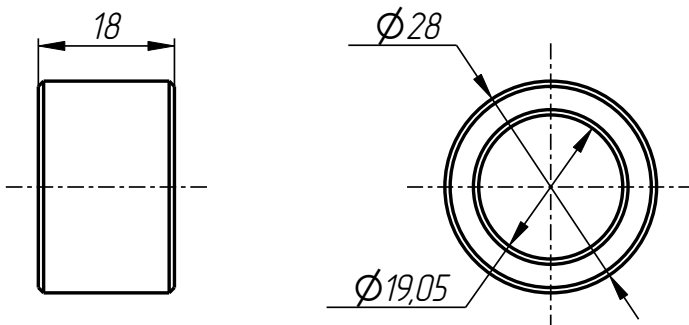
401



Bushing  
DF-401-001-005



Remote washer  
DF-401-001-003



Bushing  
DF-401-003-001