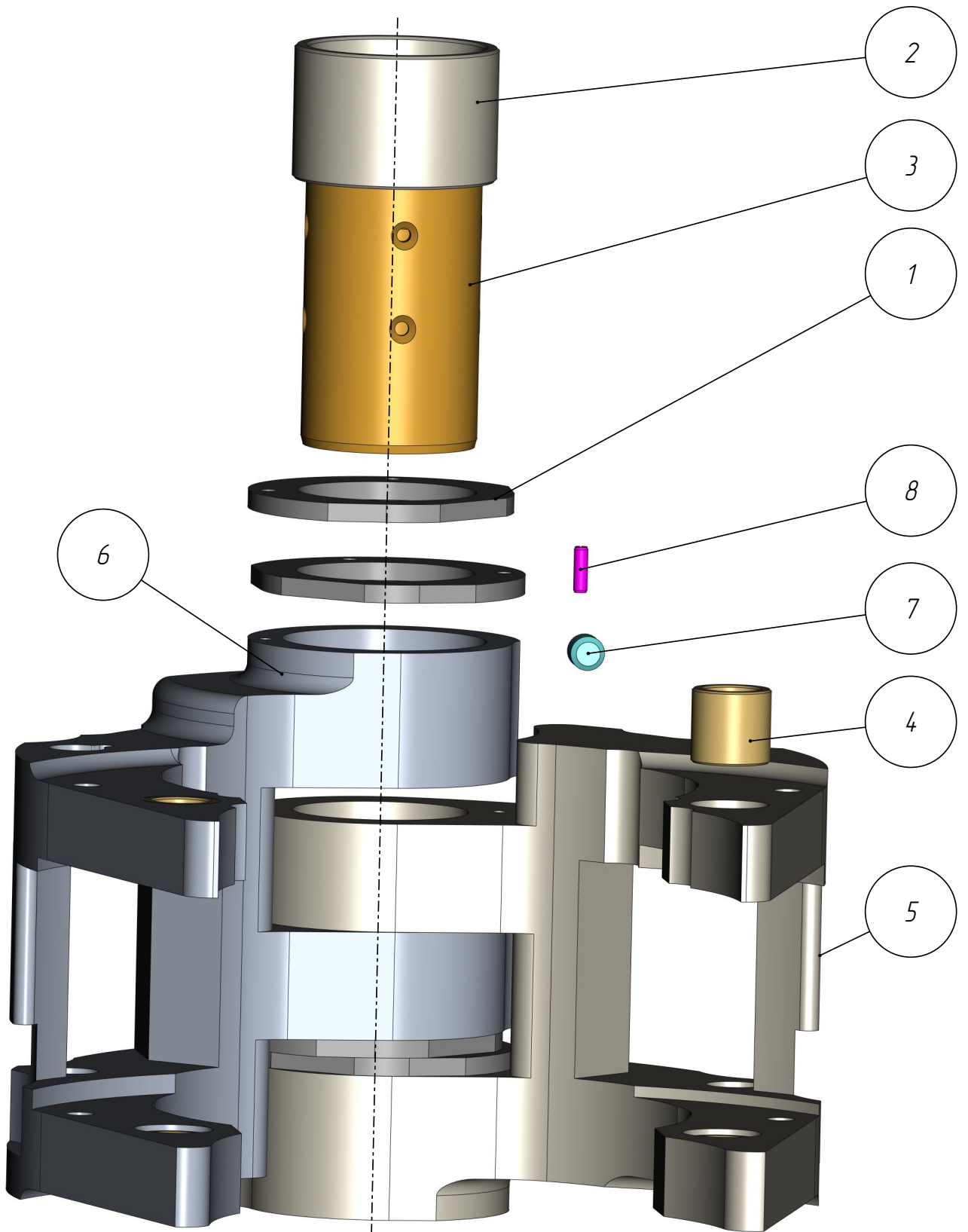


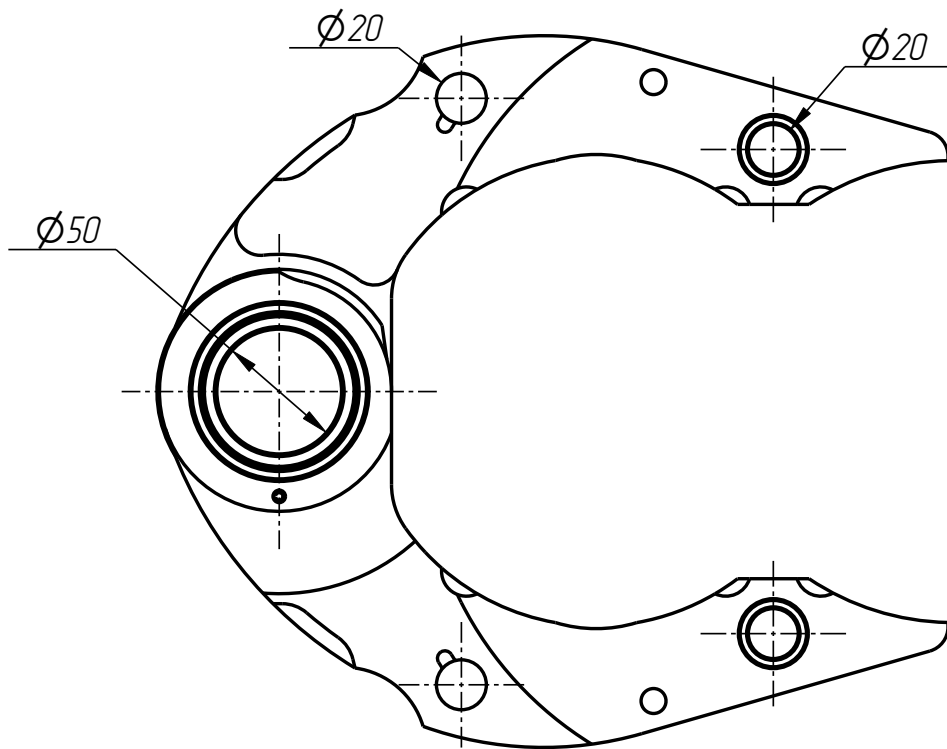
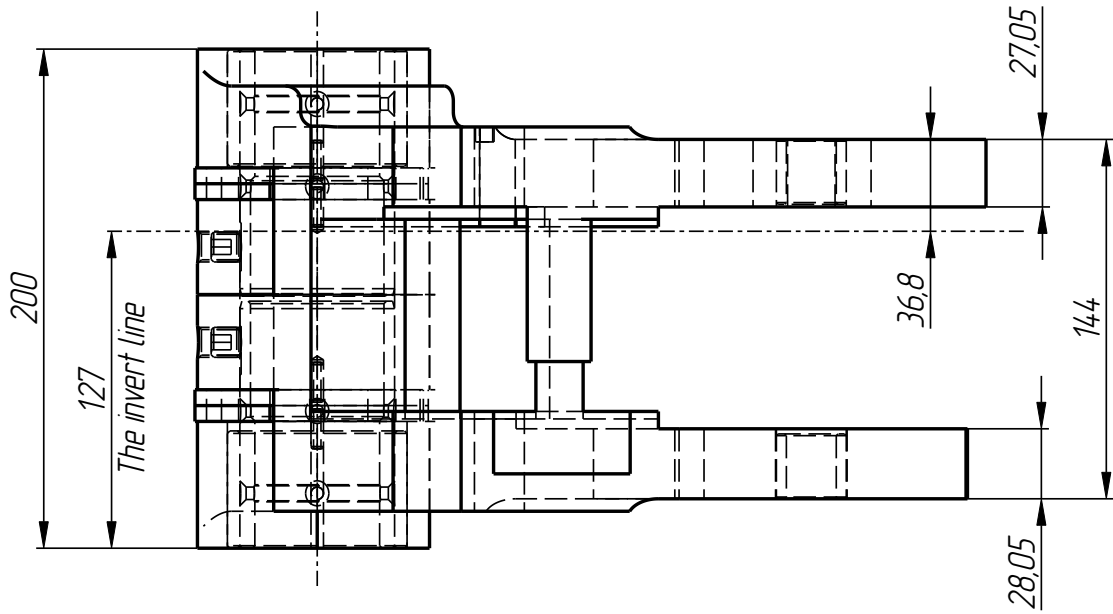
*401*

*DF-401-048*

*Form Holder*  
*(CHUDO\_BC1-002\_02-0)*



DF-401-048



# DF-401-048

Form Holder  
(CHUDO\_BC1-002\_02-0)

## Specification

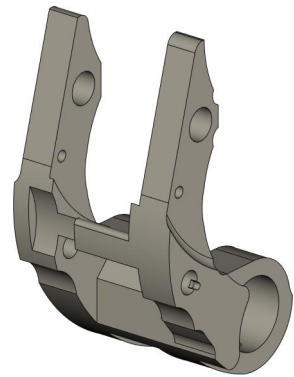
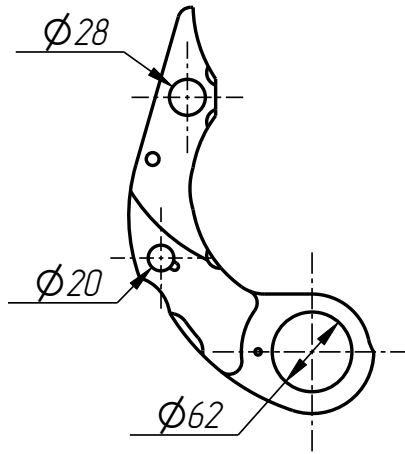
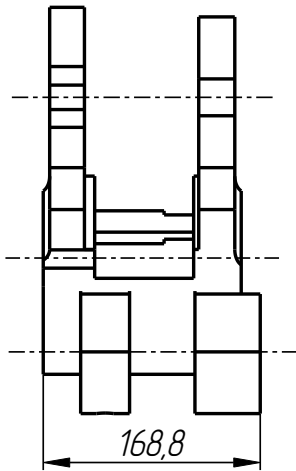
<i>Nº pos.</i>	<i>Code</i>	<i>Name</i>	<i>Qty</i>
----------------	-------------	-------------	------------

### Parts:

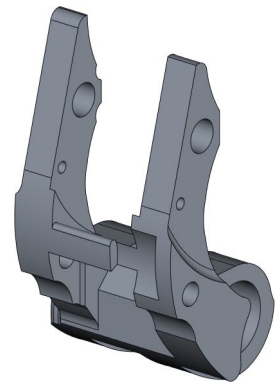
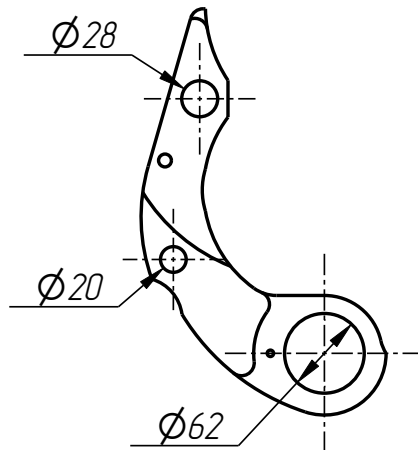
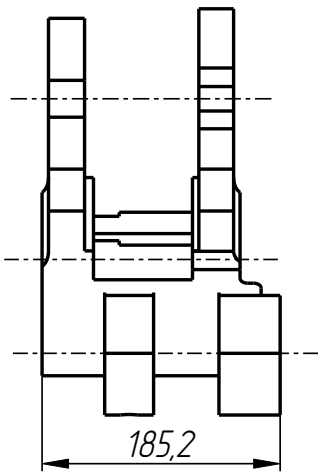
1	DF-401-001-003	Remote washer	4
2	DF-401-001-004	Bushing	2
3	DF-401-047-003	Bushing	2
4	DF-401-047-004	Bushing	4
5	DF-401-048-001	Lower lever	1
6	DF-401-048-002	Upper lever	1

### Standard parts:

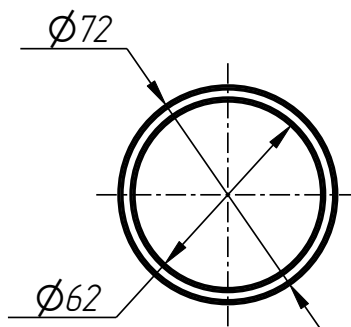
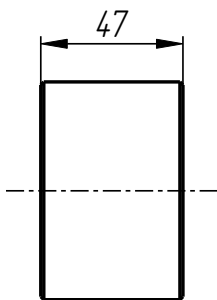
7	Screw M12x12 GOST 11074-93		2
8	Spring pin $\phi$ 5x16 DIN 1481		4



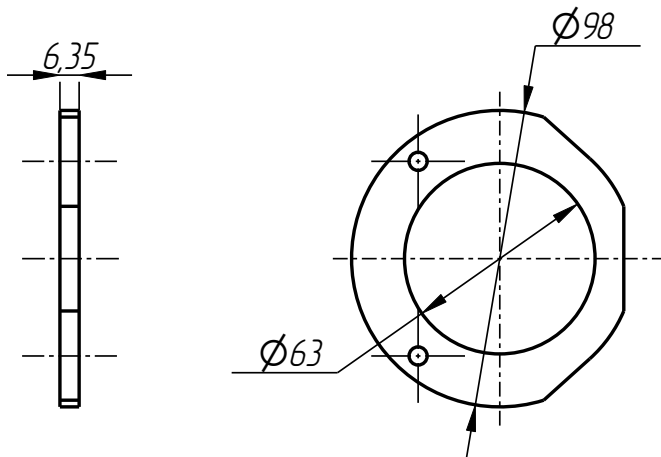
Lower lever  
DF-401-048-001



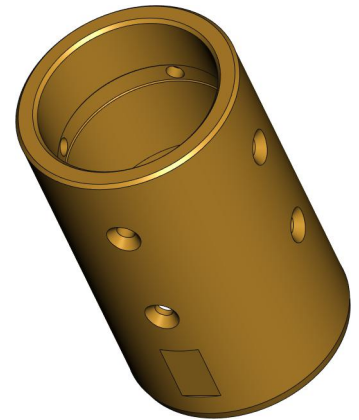
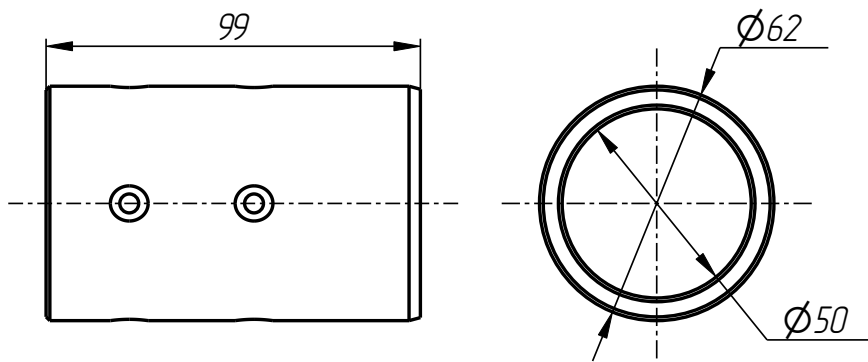
Upper lever  
DF-401-048-002



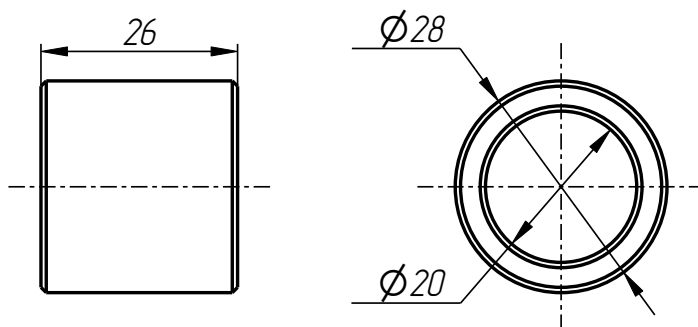
Bushing  
DF-401-001-004



Remote washer  
DF-401-001-003



Bushing  
DF-401-047-003



Bushing  
DF-401-047-004

DF-401-048