

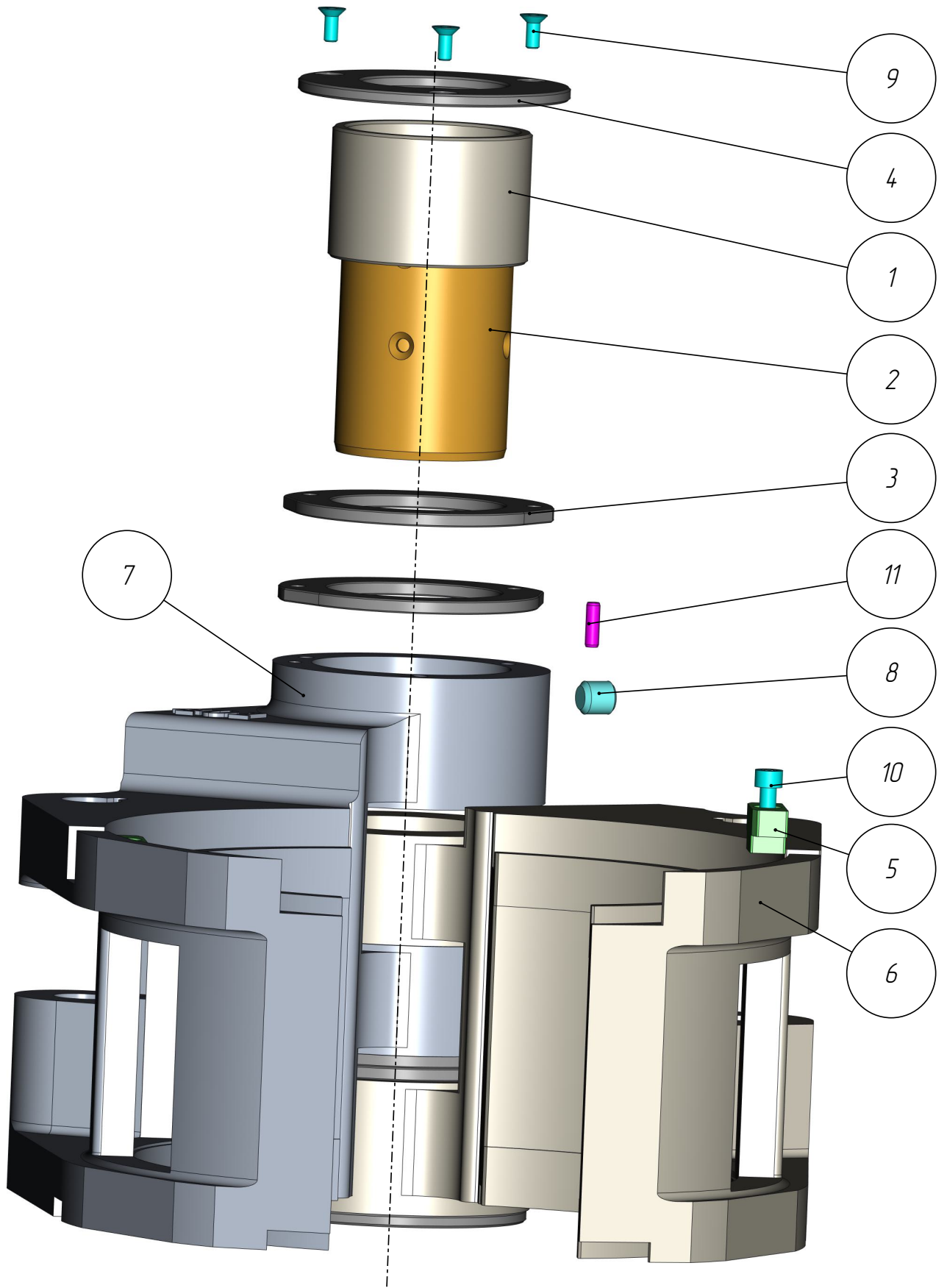
401

DF-401-046

Form Holder
(AL-123-61-216)

Form Holder
(AL-123-61-216)
DF-401-046

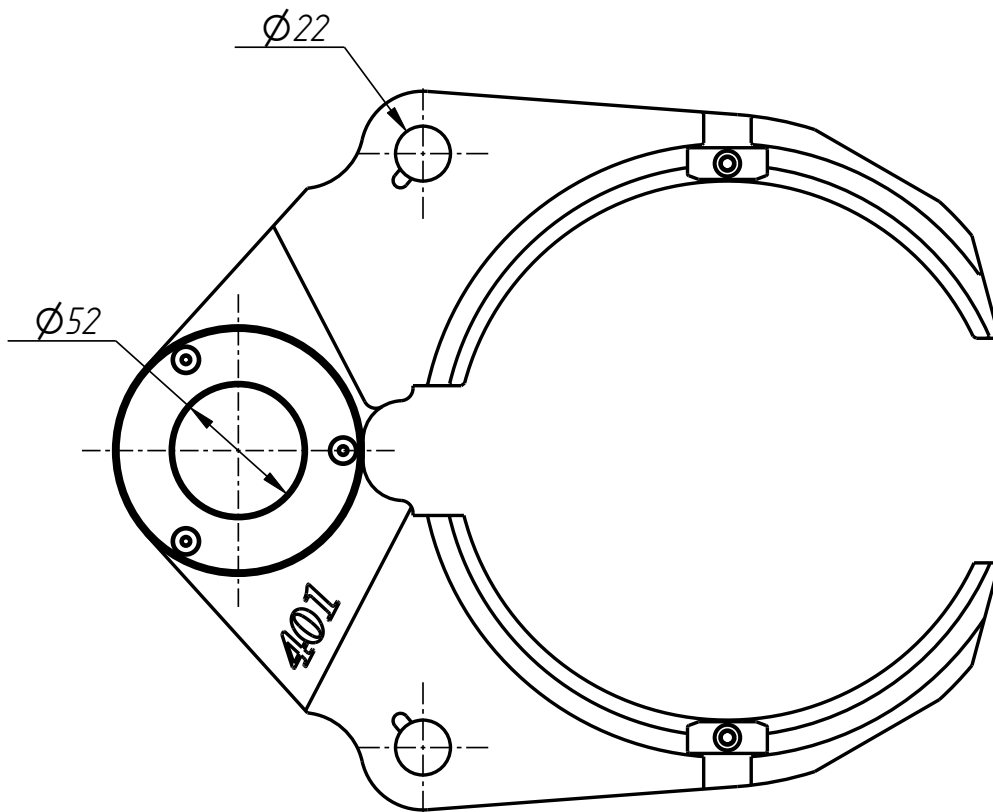
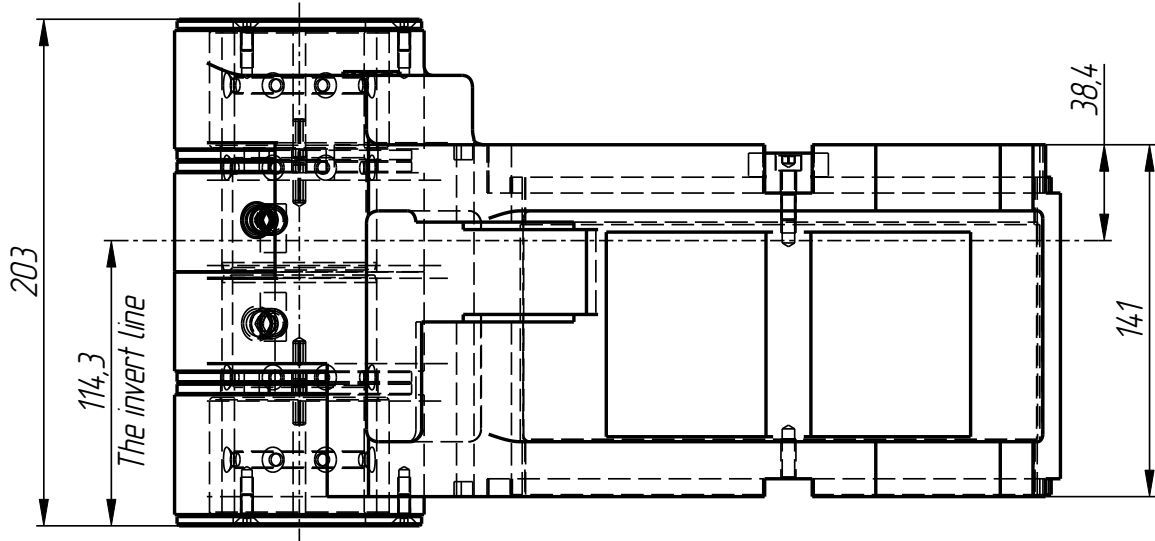
401



DF-401-046

Form Holder
(AL-123-61-216)
DF-401-046

401



DF-401-046

DF-401-046

Form Holder
(AL-123-61-216)

Specification

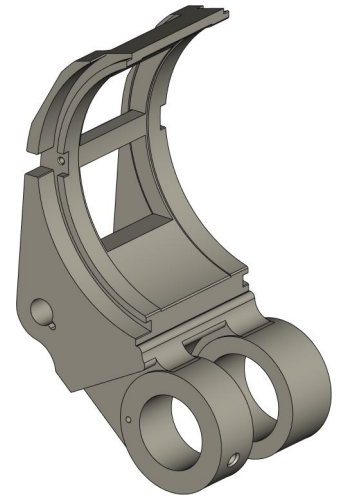
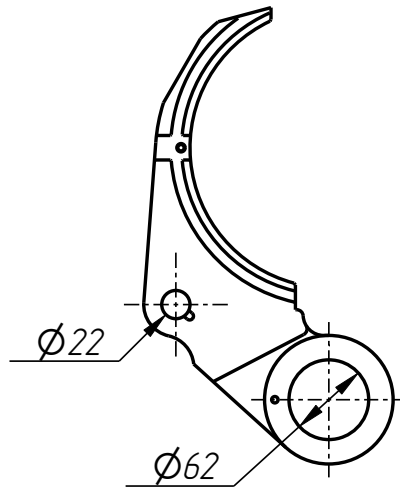
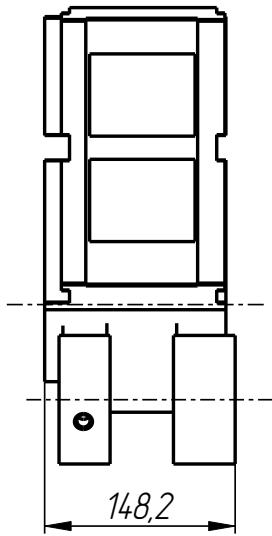
Nº pos.	Code	Name	Qty
---------	------	------	-----

Parts:

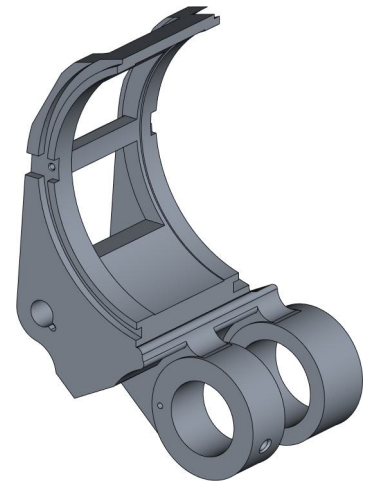
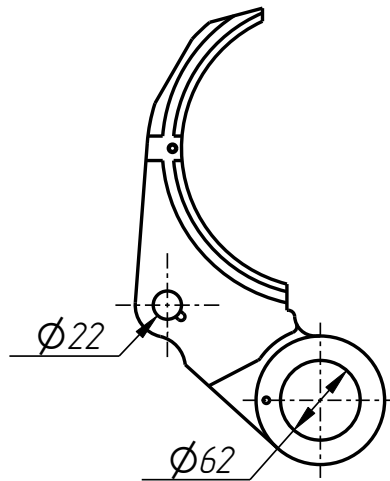
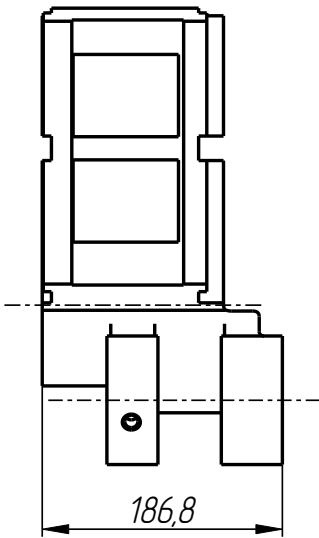
1	DF-401-001-004	Bushing	2
2	DF-401-011-002	Bushing	2
3	DF-401-011-005	Washer	4
4	DF-401-016-004	Cap	2
5	DF-401-039-003	Holding plate	2
6	DF-401-046-001	Lower lever	1
7	DF-401-046-002	Upper lever	1

Standard parts:

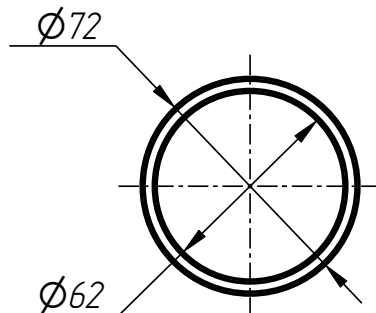
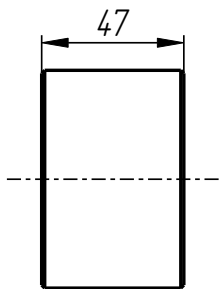
8	Screw M12x12 GOST 11074-93	2
9	Screw M5x12 DIN 7991	6
10	Screw M6x20 DIN 912	2
11	Spring pin ϕ 5x16 DIN 1481	4



Lower lever
DF-401-046-001



Upper lever
DF-401-046-002

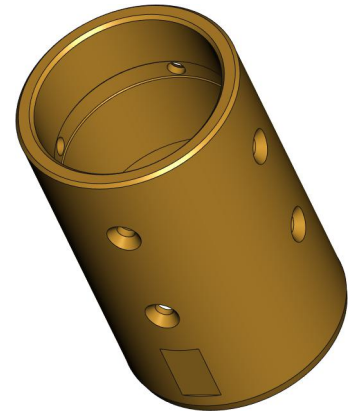
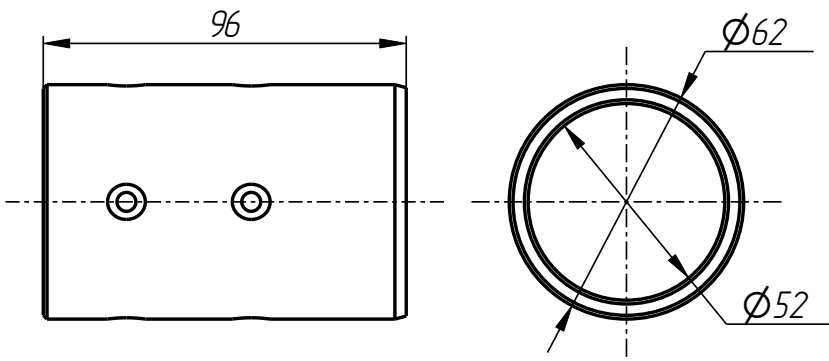


Bushing
DF-401-001-004

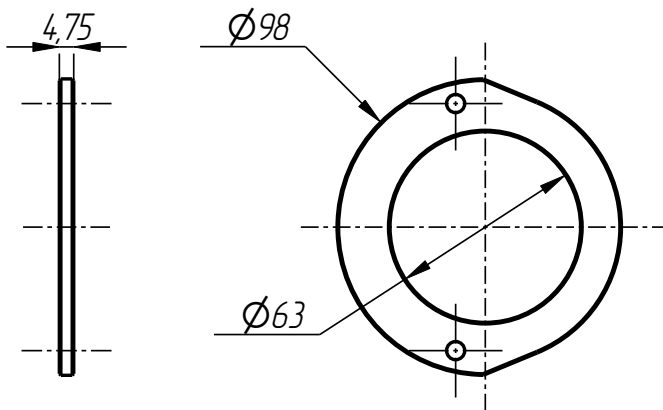
DF-401-046

Form Holder
(AL-123-61-216)
DF-401-046

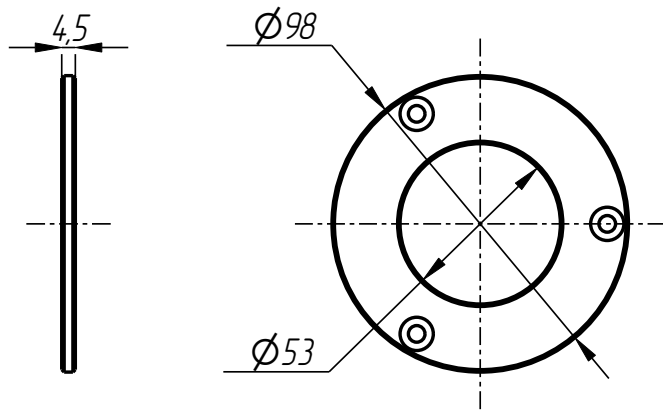
401



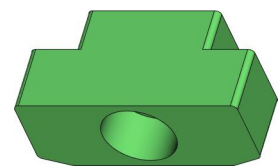
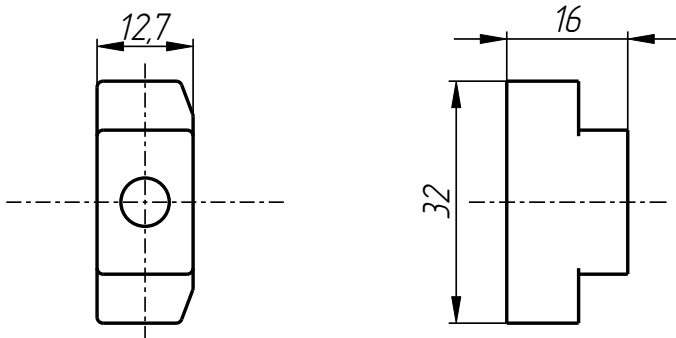
Bushing
DF-401-011-002



Washer
DF-401-011-005



Cap
DF-401-016-004



Holding plate
DF-401-039-003