

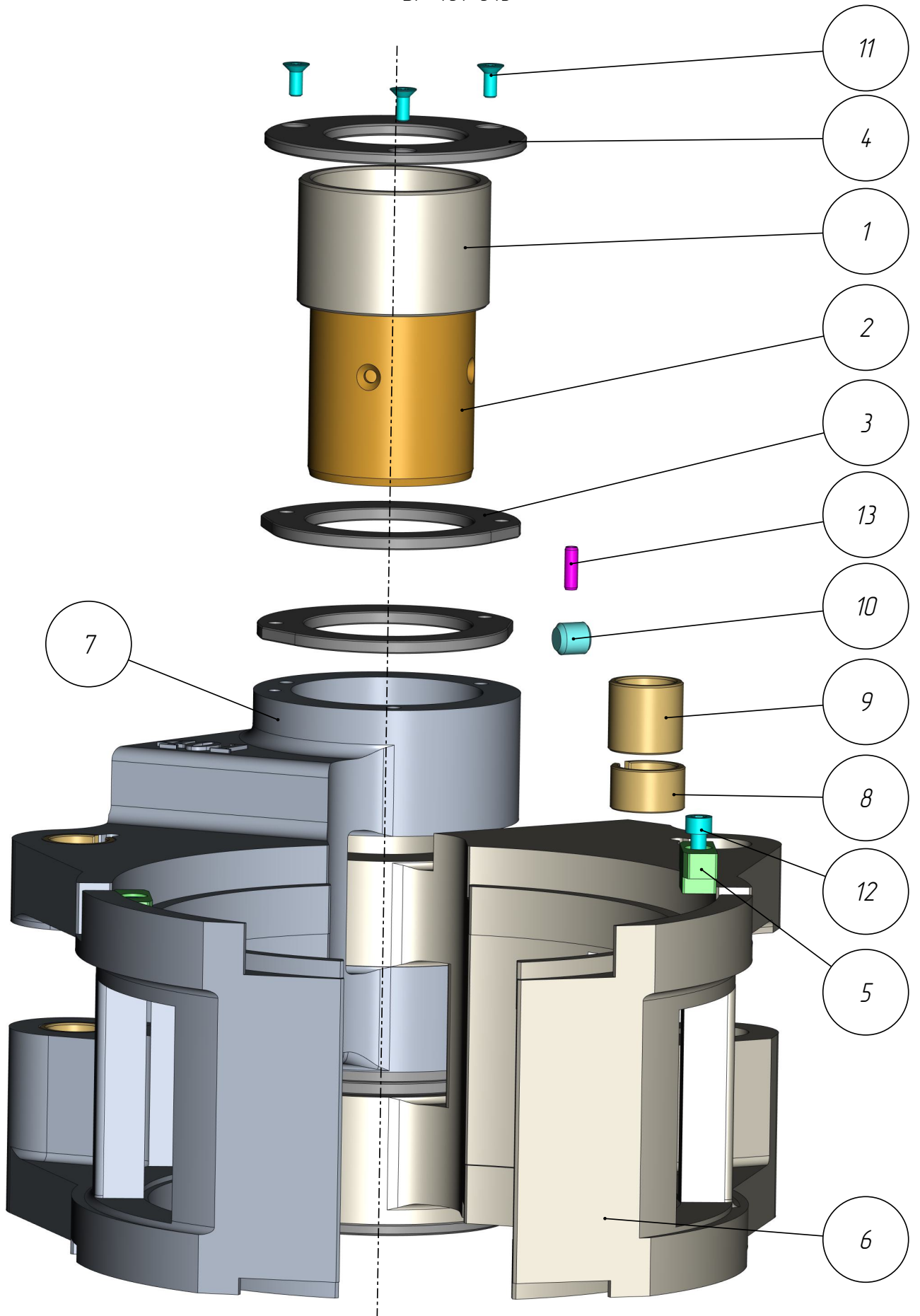
401

DF-401-045

Form Holder
(AL-123-51-197)

Form Holder
(AL-123-51-197)
DF-401-045

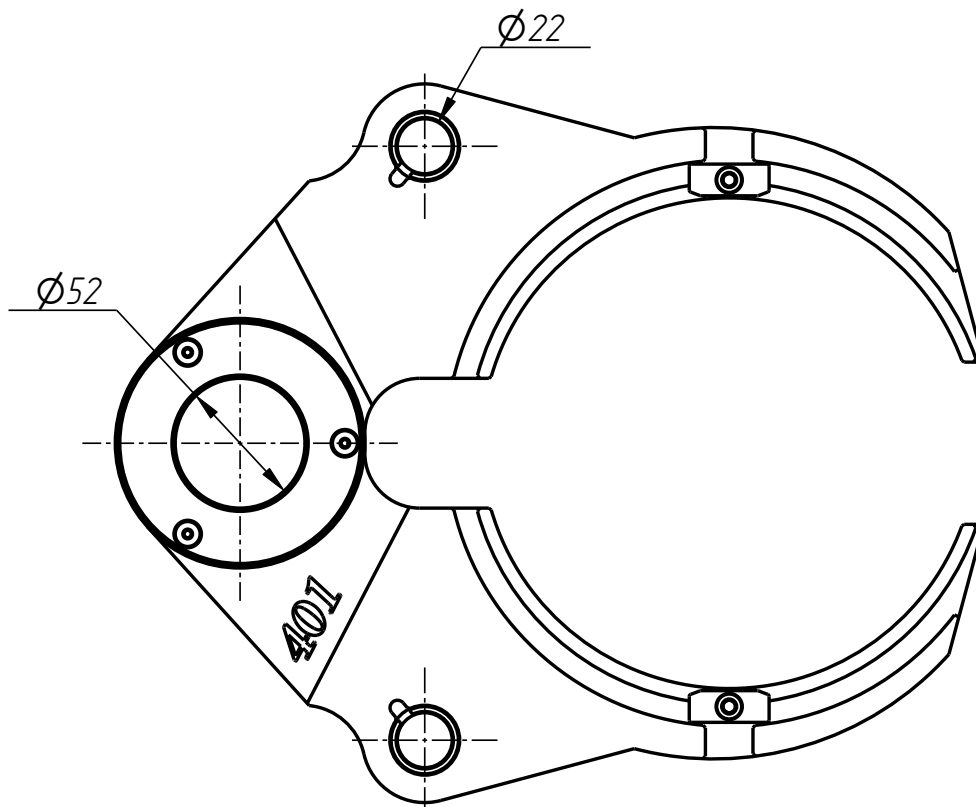
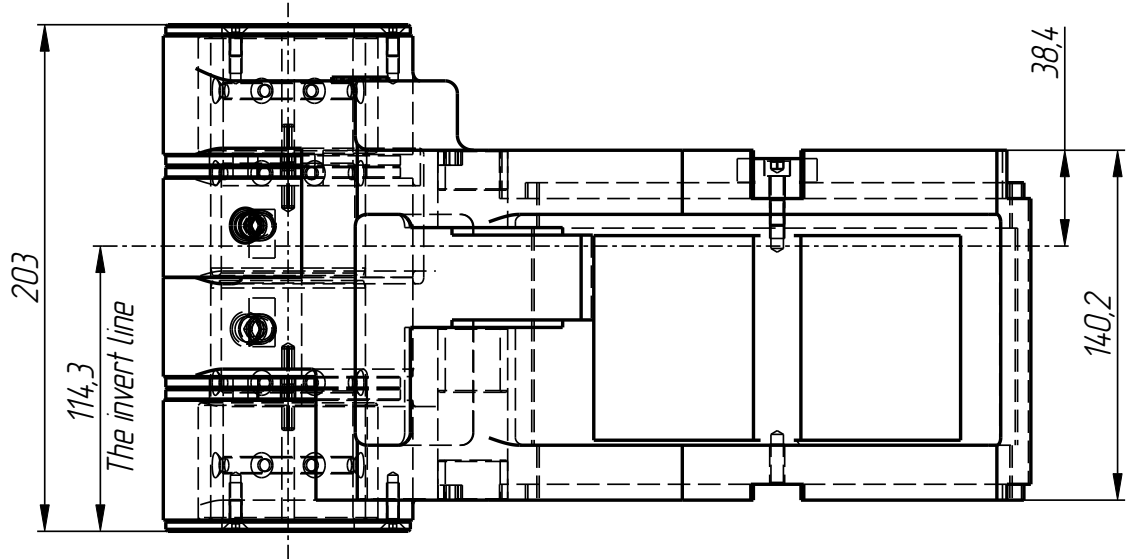
401



DF-401-045

Form Holder
(AL-123-51-197)
DF-401-045

401



DF-401-045

DF-401-045

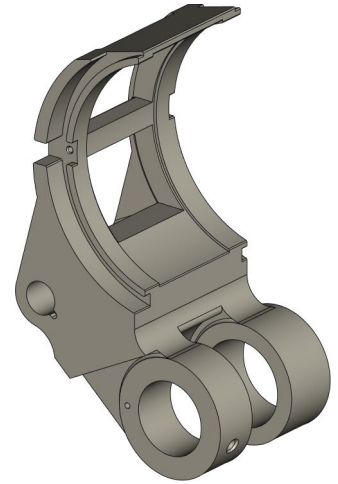
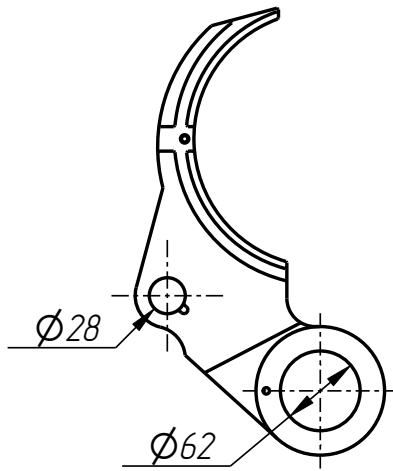
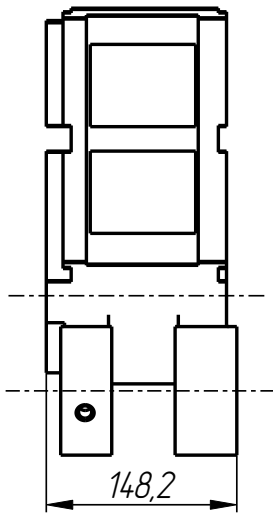
Form Holder
(AL-123-51-197)

Specification

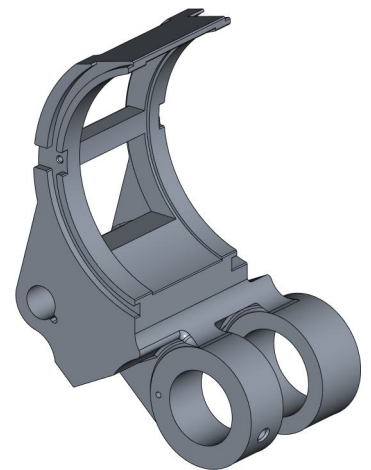
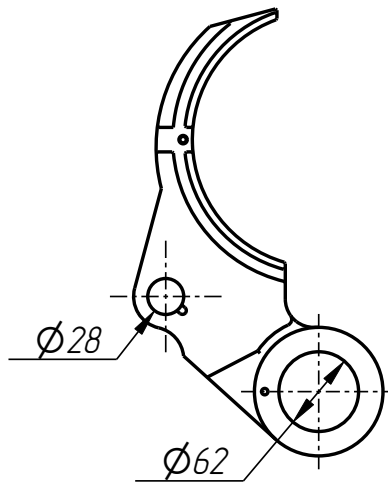
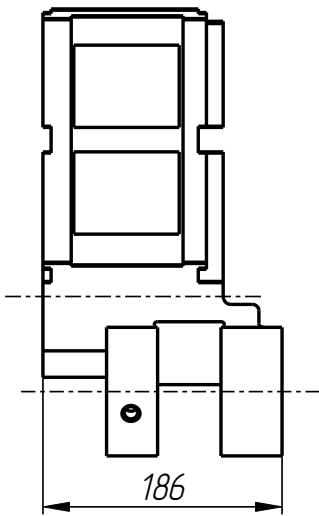
<i>Nº pos.</i>	<i>Code</i>	<i>Name</i>	<i>Qty</i>
<i>Parts:</i>			
1	DF-401-001-004	Bushing	2
2	DF-401-011-002	Bushing	2
3	DF-401-011-005	Washer	4
4	DF-401-016-004	Cap	2
5	DF-401-039-003	Holding plate	2
6	DF-401-045-001	Lower lever	1
7	DF-401-045-002	Upper lever	1
8	DF-401-045-003	Bushing	4
9	DF-401-045-004	Bushing	2

Standard parts:

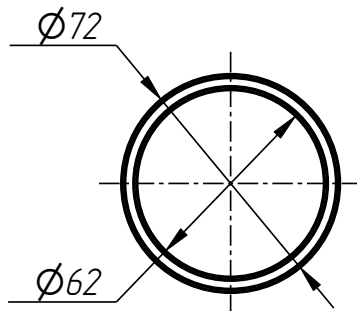
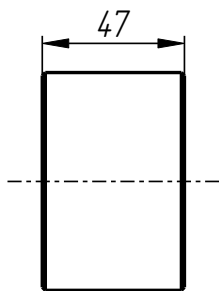
10	Screw M12x12 GOST 11074-93	2
11	Screw M5x12 DIN 7991	6
12	Screw M6x20 DIN 912	2
13	Spring pin ϕ 5x16 DIN 1481	4



Lower lever
DF-401-045-001



Upper lever
DF-401-045-002

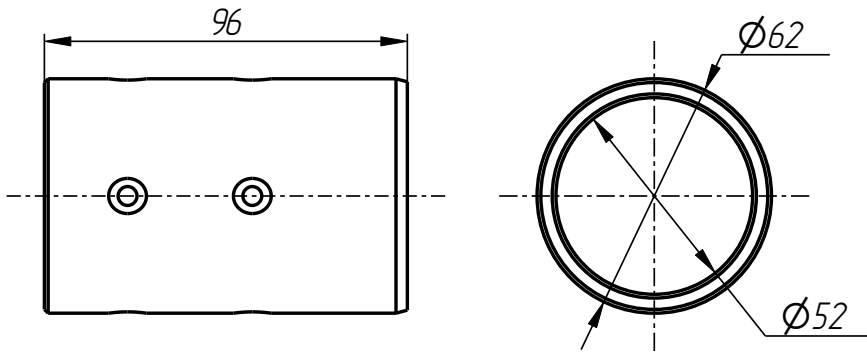


Bushing
DF-401-001-004

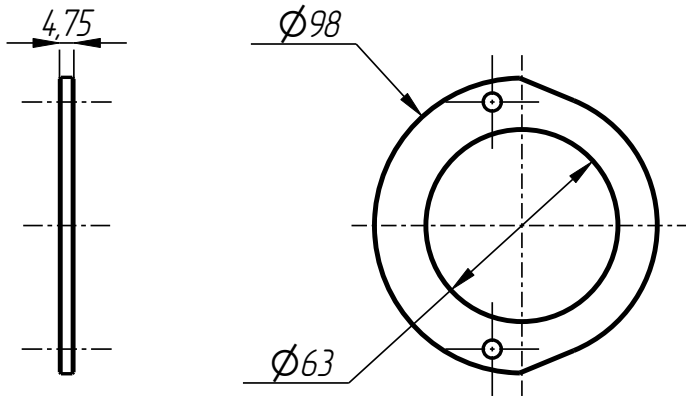
DF-401-045

Form Holder
(AL-123-51-197)
DF-401-045

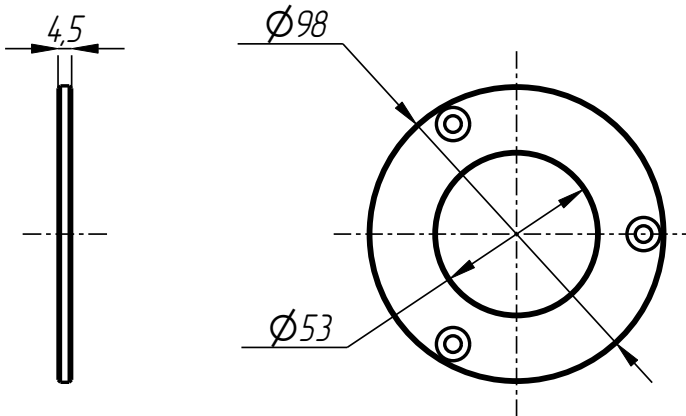
401



Bushing
DF-401-011-002

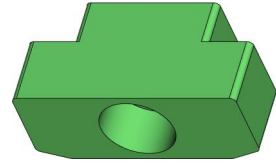
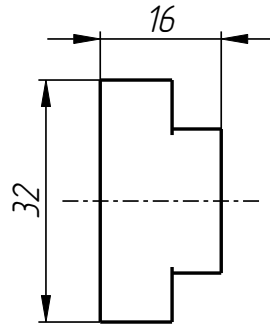
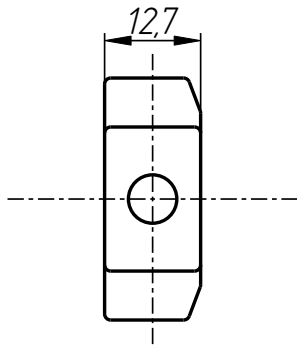


Washer
DF-401-011-005

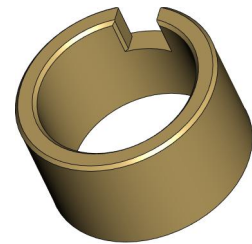
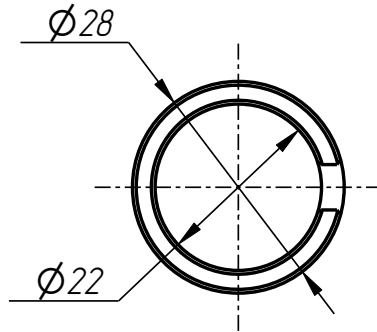
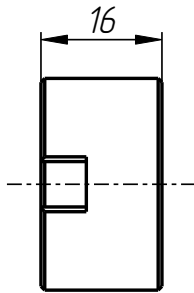


Cap
DF-401-016-004

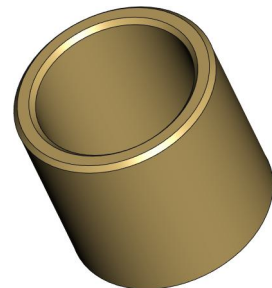
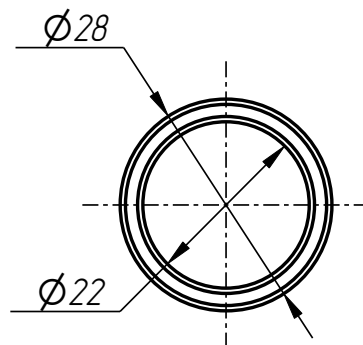
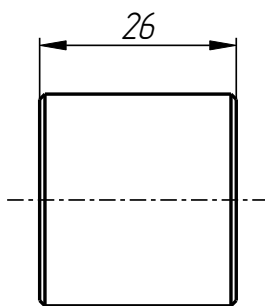
DF-401-045



Holding plate
DF-401-039-003



Bushing
DF-401-045-003



Bushing
DF-401-045-004