

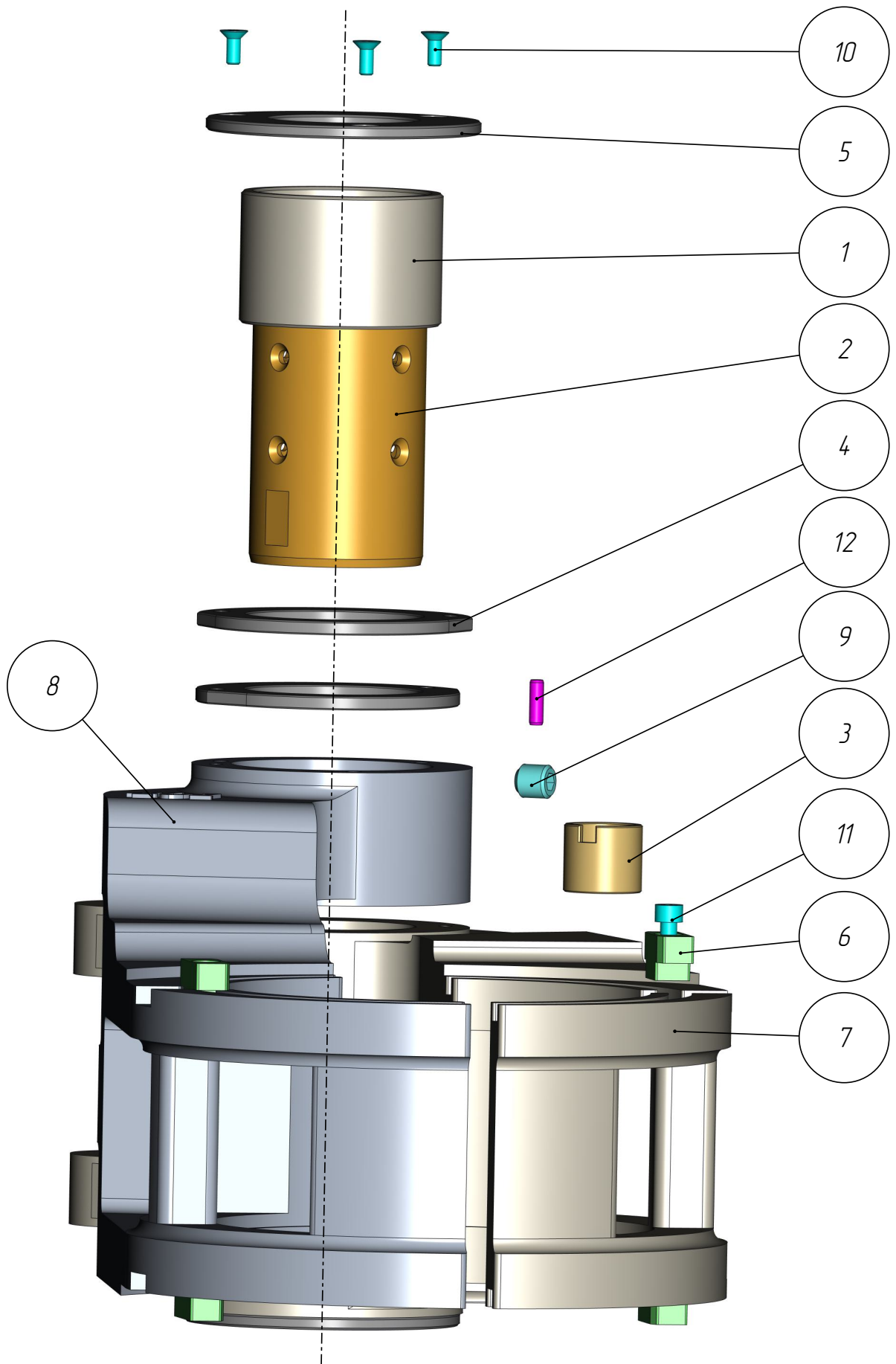
401

DF-401-043

Form Holder
(AL-123-31-152_4)

Form Holder
(AL-123-31-152_4)
DF-401-043

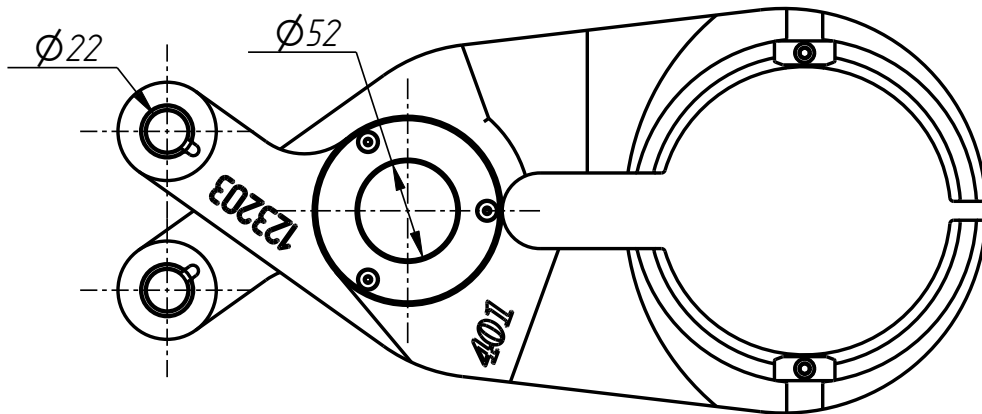
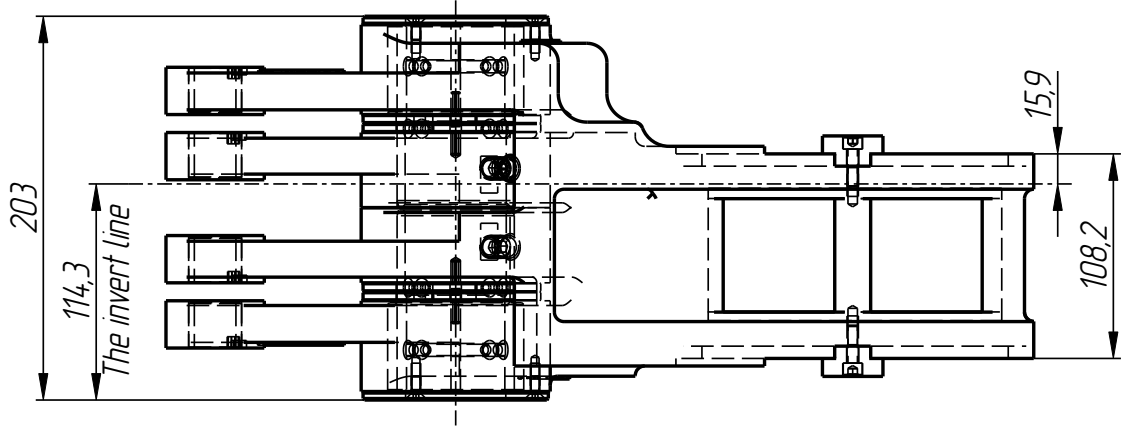
401



DF-401-043

Form Holder
(AL-123-31-152_4)
DF-401-043

401



DF-401-043

DF-401-043

Form Holder
(AL-123-31-152_4)

Specification

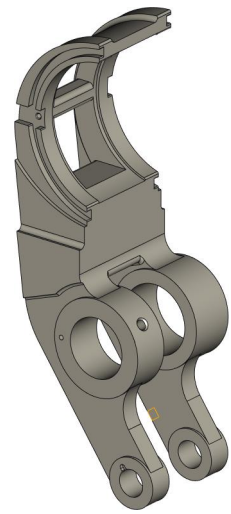
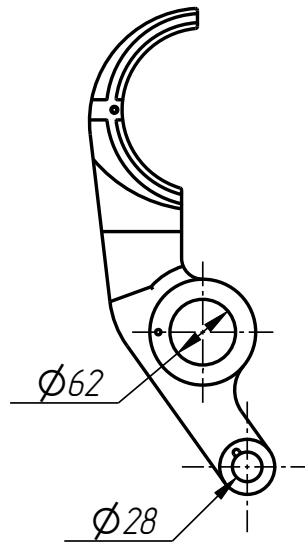
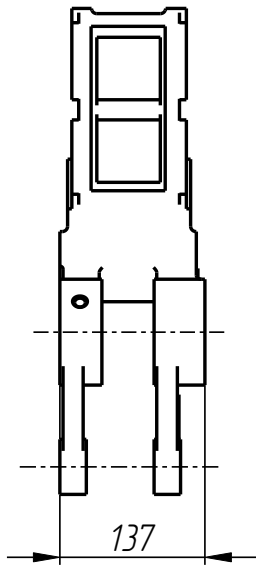
<i>Nº pos.</i>	<i>Code</i>	<i>Name</i>	<i>Qty</i>
----------------	-------------	-------------	------------

Parts:

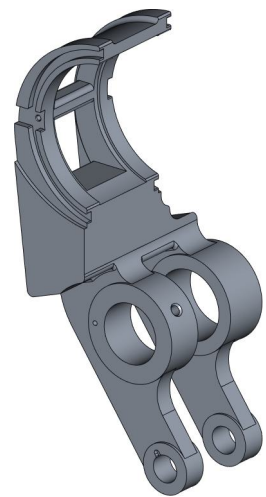
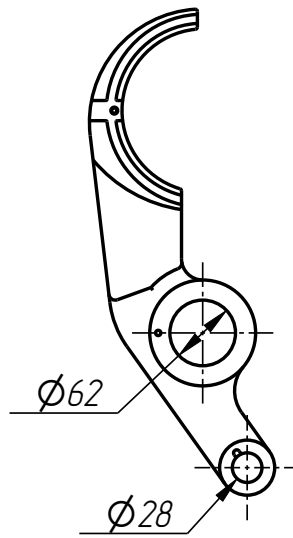
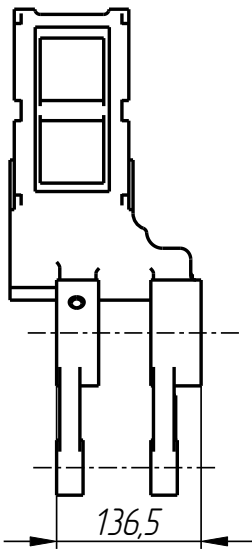
1	DF-401-001-004	Bushing	2
2	DF-401-011-002	Bushing	2
3	DF-401-011-004	Bushing	4
4	DF-401-011-005	Washer	4
5	DF-401-016-004	Cap	2
6	DF-401-039-003	Holding plate	4
7	DF-401-043-001	Lower lever	1
8	DF-401-043-002	Upper lever	1

Standard parts:

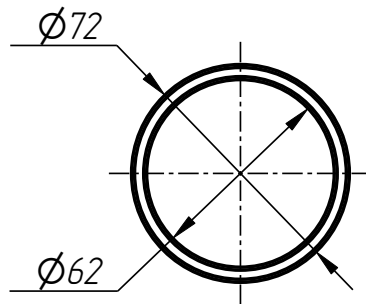
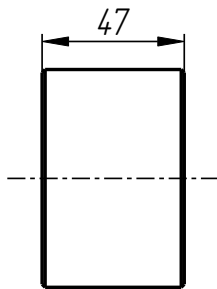
9	Screw M12x12 GOST 11074-93	2
10	Screw M5x12 DIN 7991	6
11	Screw M6x20 DIN 912	4
12	Spring pin ϕ 5x16 DIN 1481	4



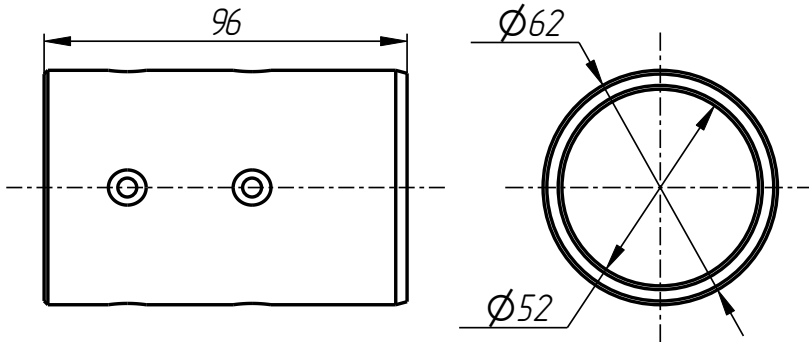
Lower lever
DF-401-043-001



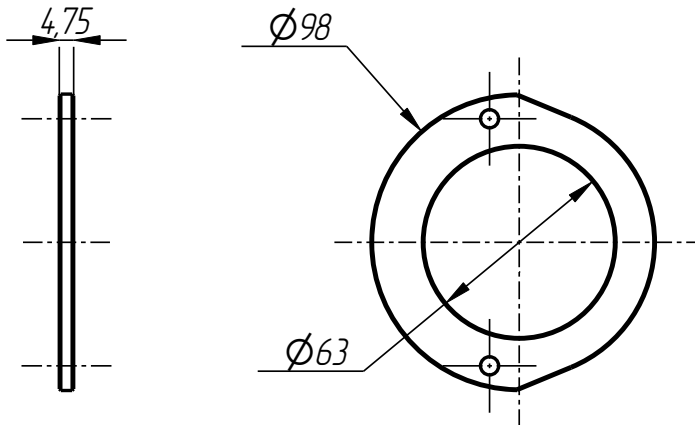
Upper lever
DF-401-043-002



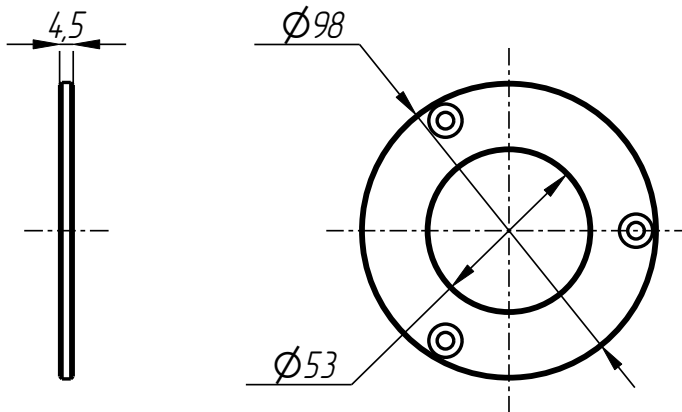
Bushing
DF-401-001-004



Bushing
DF-401-011-002

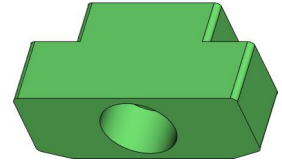
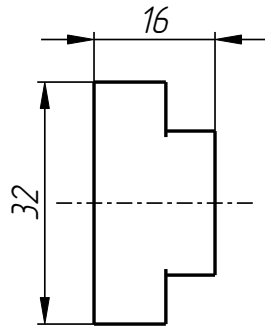
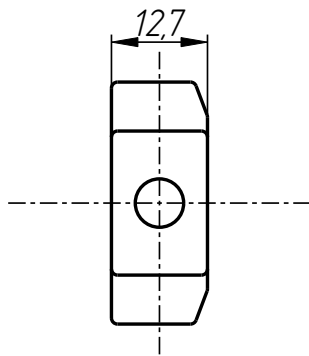


Washer
DF-401-011-005

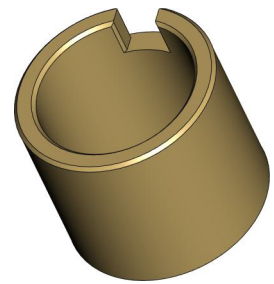
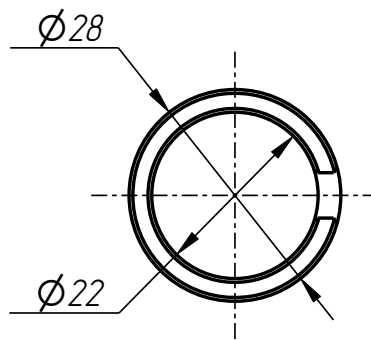
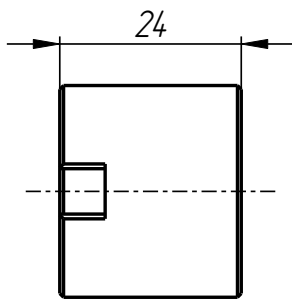


Cap
DF-401-016-004

DF-401-043



Holding plate
DF-401-039-003



Bushing
DF-401-011-004