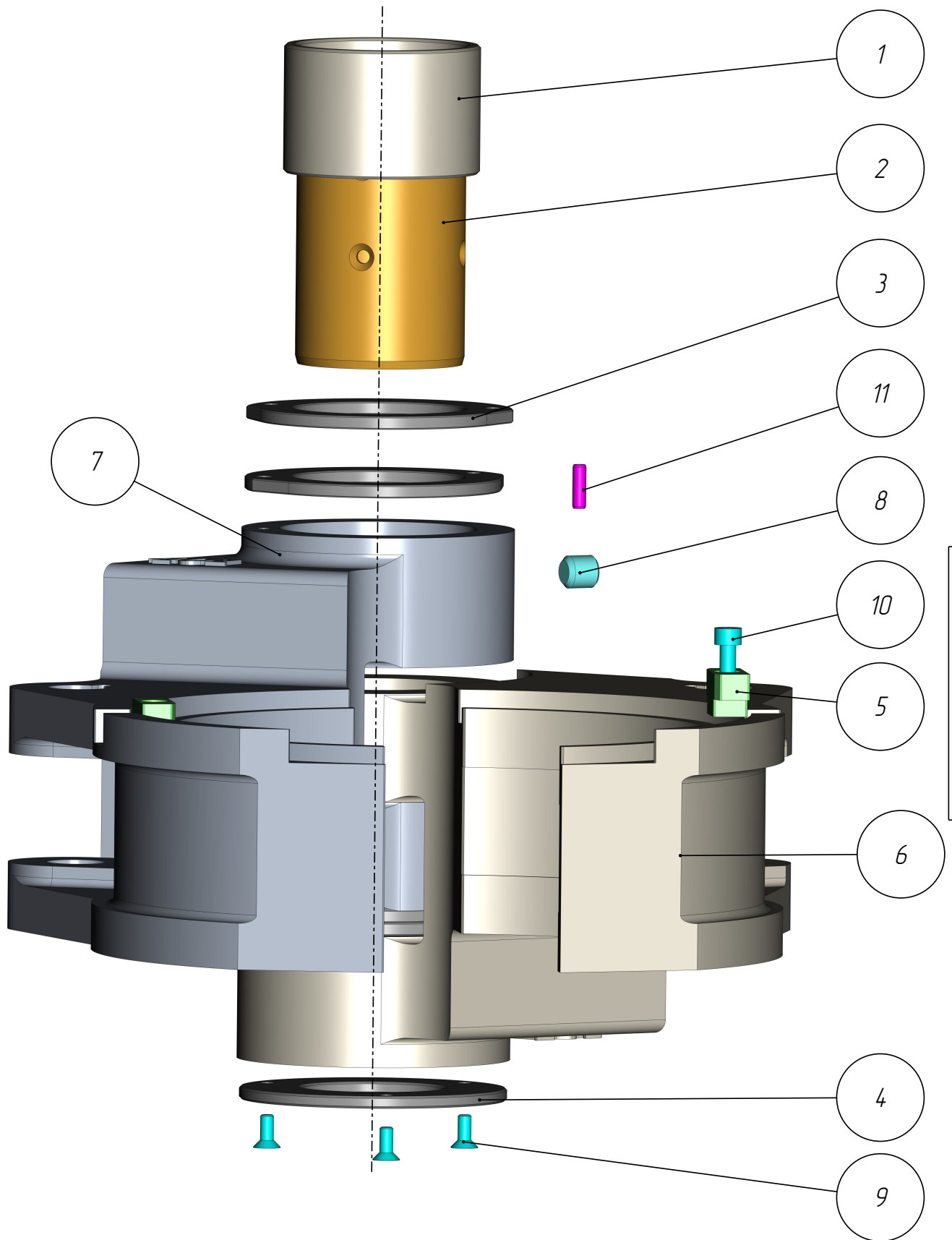


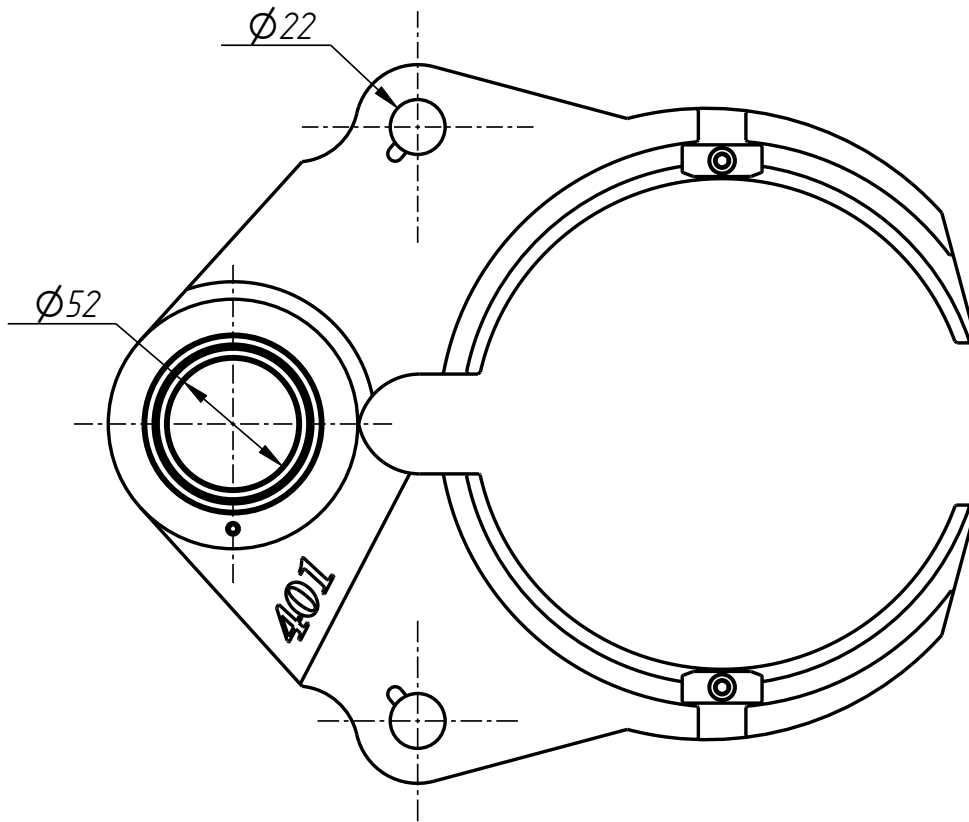
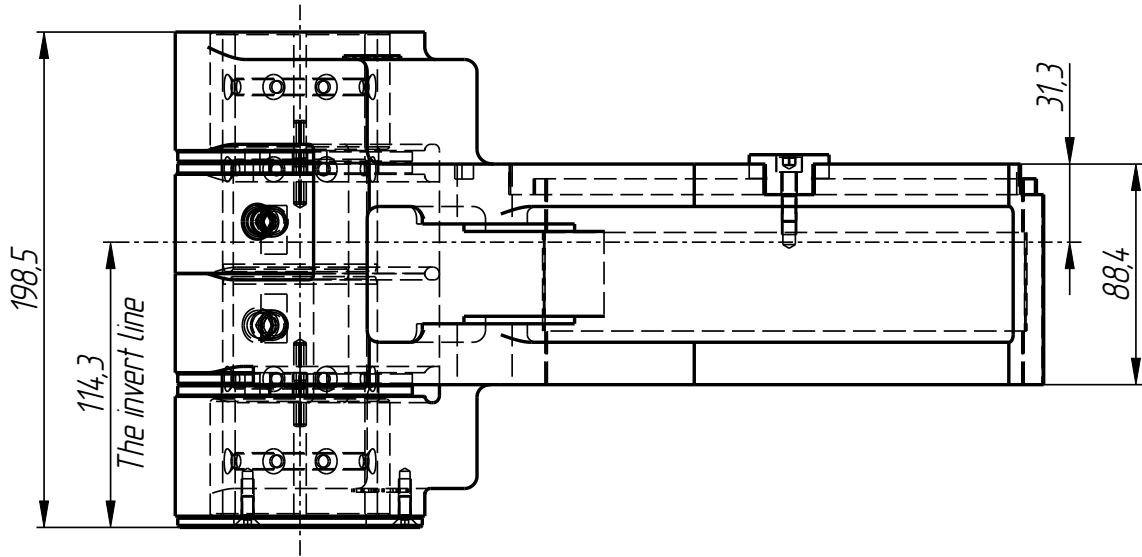
401

DF-401-042

Form Holder
(AL-123-5-197)



DF-401-042



DF-401-042

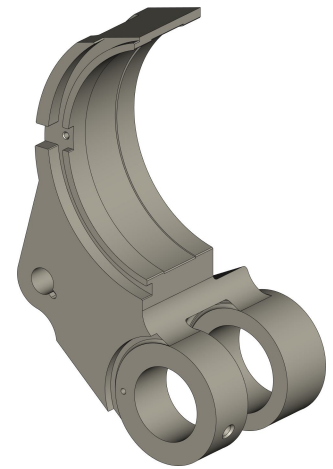
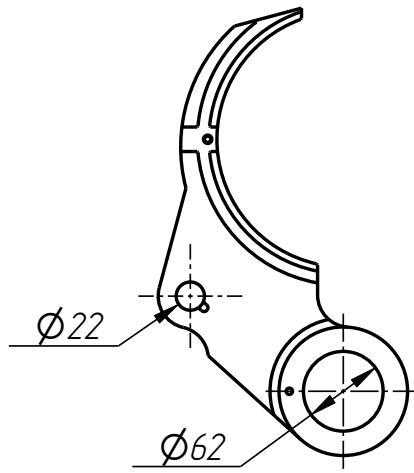
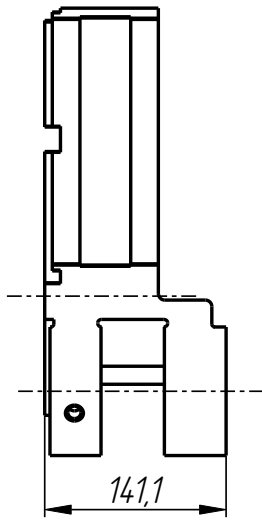
Form Holder
(AL-123-5-197)

Specification

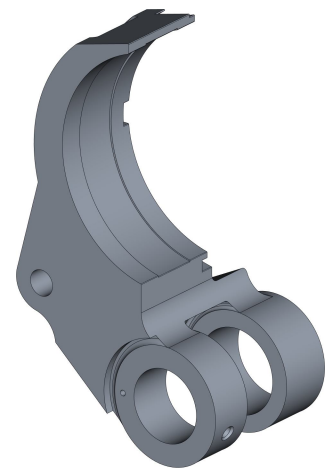
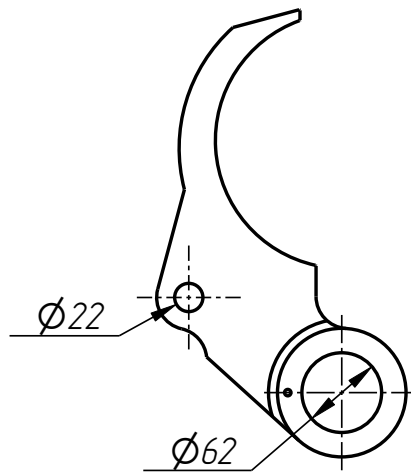
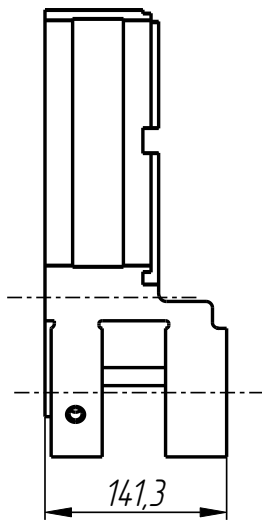
<i>Nº pos.</i>	<i>Code</i>	<i>Name</i>	<i>Qty</i>
<i>Parts:</i>			
1	DF-401-001-004	Bushing	2
2	DF-401-011-002	Bushing	2
3	DF-401-011-005	Washer	4
4	DF-401-016-004	Cap	1
5	DF-401-039-003	Holding plate	2
6	DF-401-042-001	Lower lever	1
7	DF-401-042-002	Upper lever	1

Standard parts:

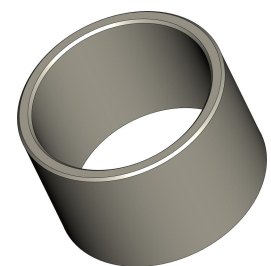
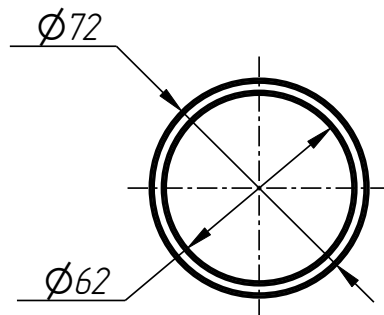
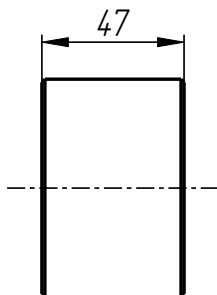
8	Screw M12x12 GOST 11074-93	2
9	Screw M5x12 DIN 7991	3
10	Screw M6x20 DIN 912	2
11	Spring pin ϕ 5x16 DIN 1481	4



Lower lever
DF-401-042-001



Upper lever
DF-401-042-002

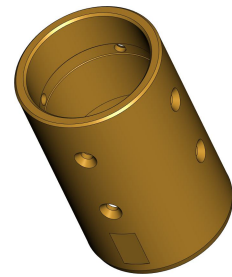
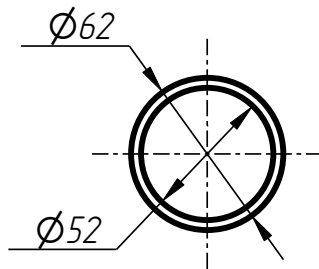
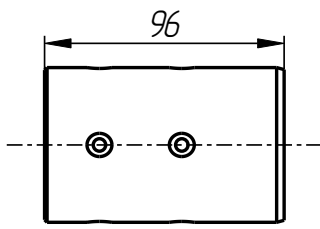


Bushing
DF-401-001-004

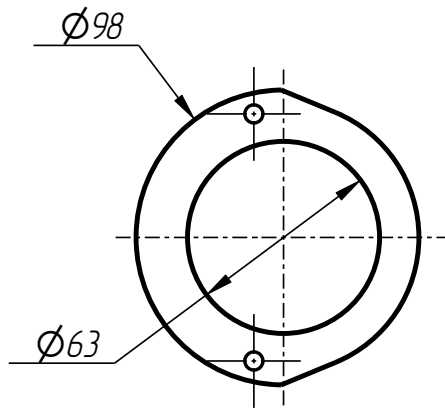
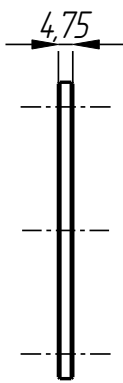
DF-401-042

Form Holder
(AL-123-5-197)
DF-401-042

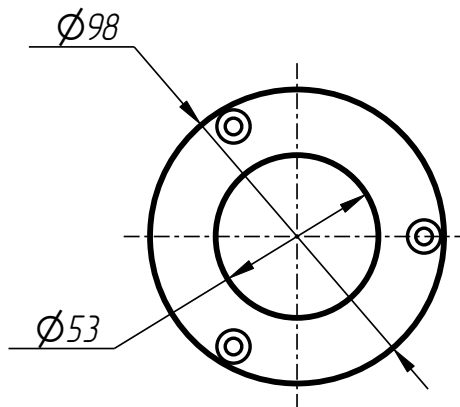
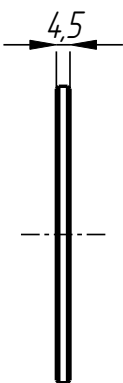
401



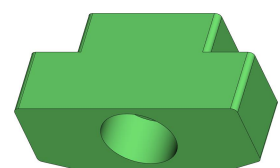
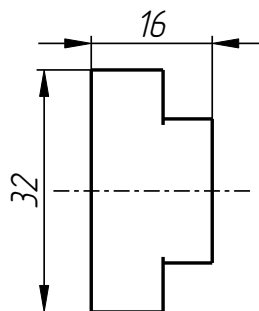
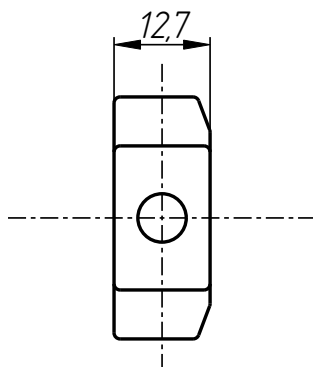
Bushing
DF-401-011-002



Washer
DF-401-011-005



Cap
DF-401-016-004



Holding plate
DF-401-039-003

6-6