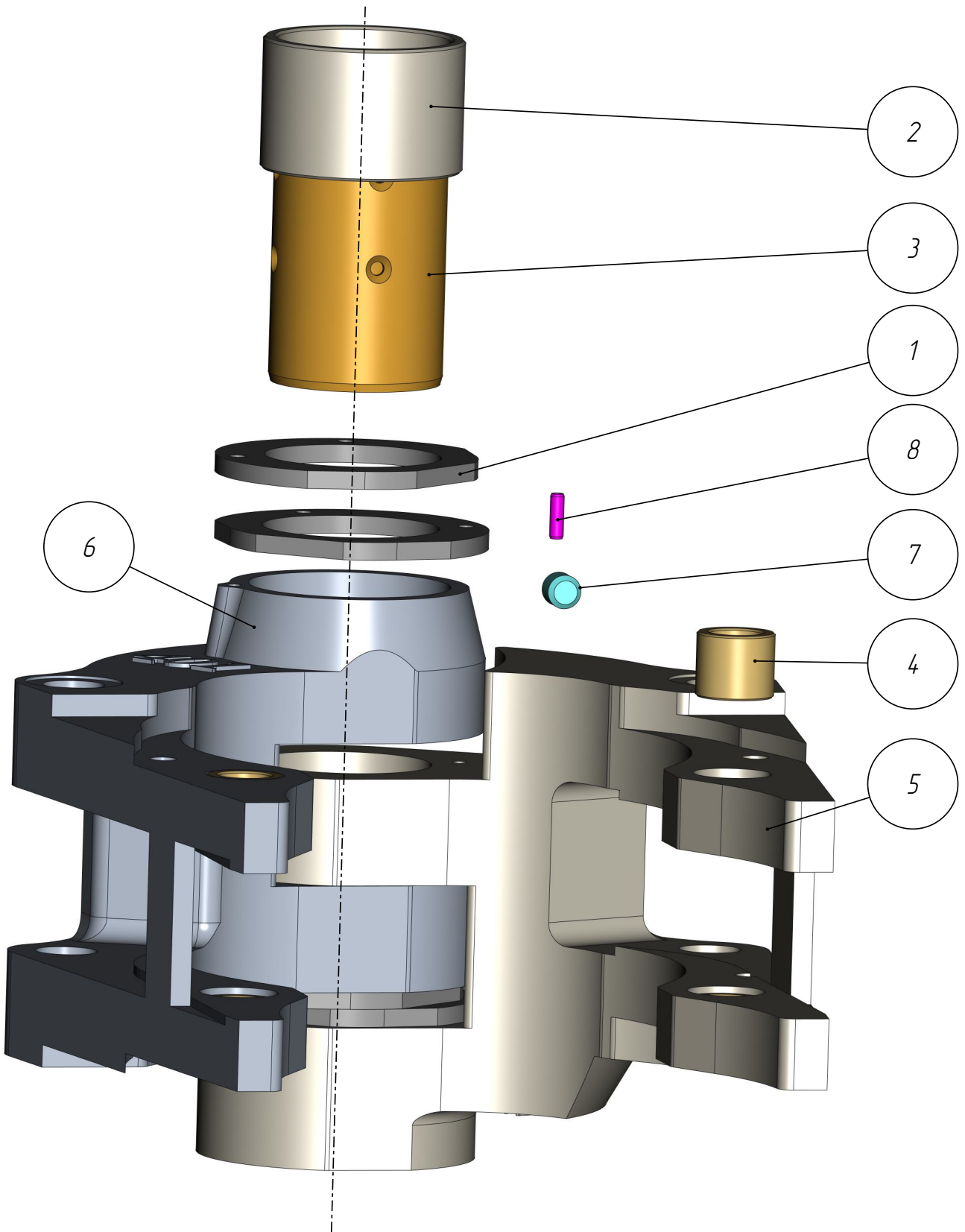


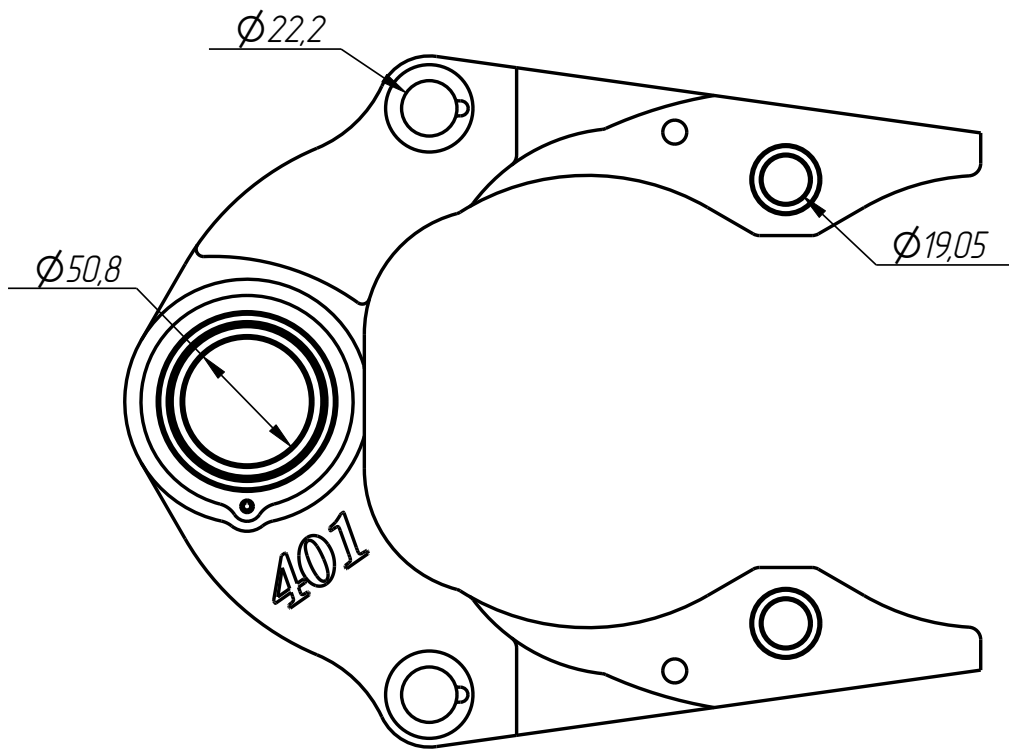
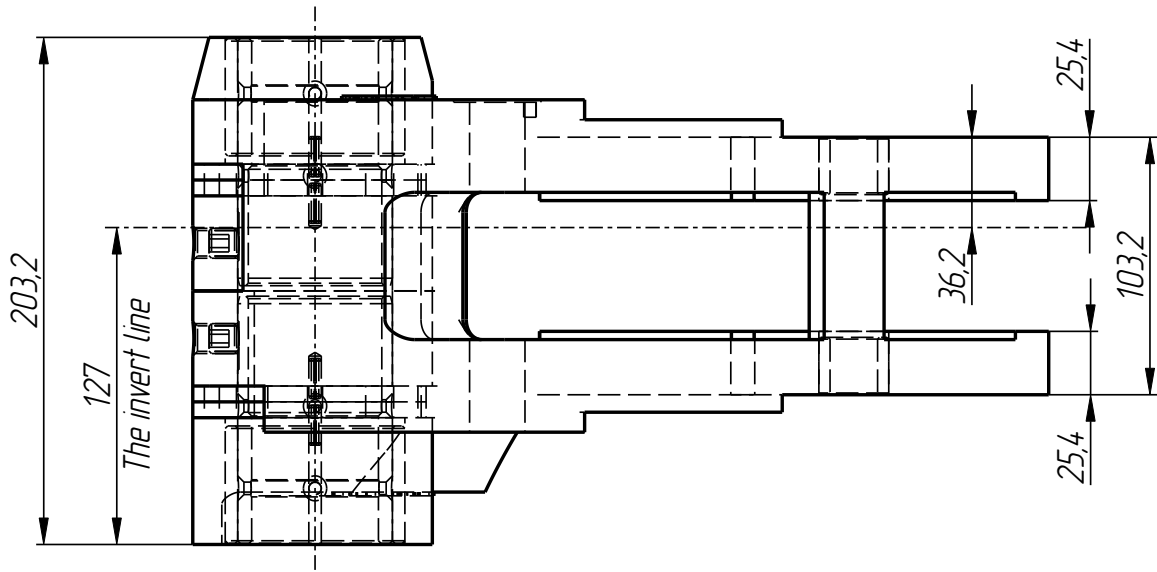
*401*

*DF-401-038*

*Form Holder  
(213F206500)*



DF-401-038



# DF-401-038

Form Holder  
(213F206500)

## Specification

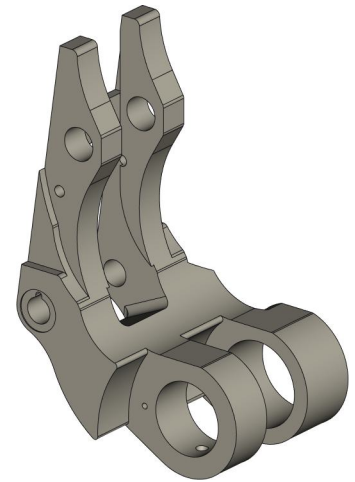
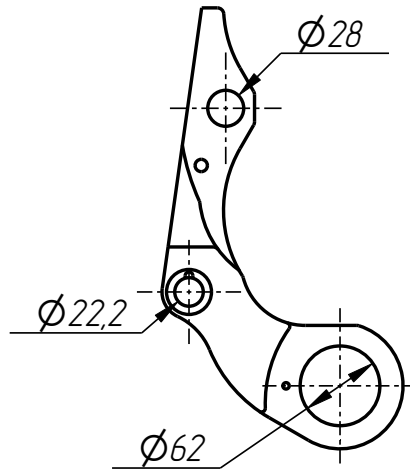
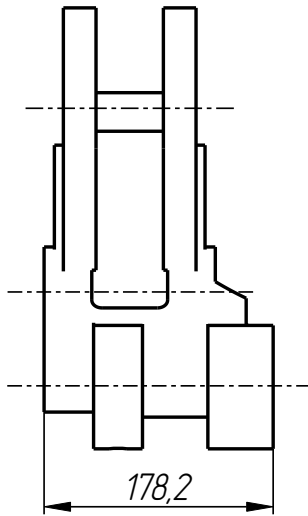
<i>Nº pos.</i>	<i>Code</i>	<i>Name</i>	<i>Qty</i>
----------------	-------------	-------------	------------

### Parts:

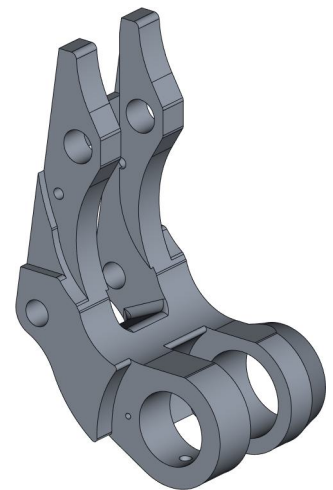
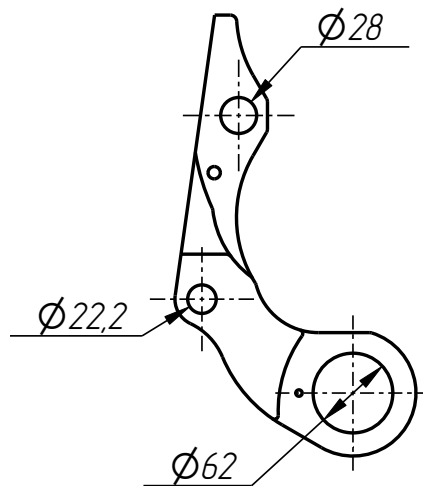
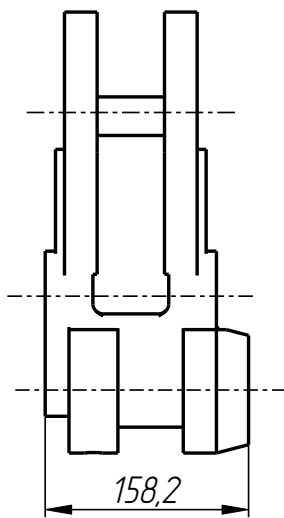
1	DF-401-001-003	Remote washer	4
2	DF-401-001-004	Bushing	2
3	DF-401-001-005	Bushing	2
4	DF-401-010-003	Bushing	4
5	DF-401-038-001	Lower lever	1
6	DF-401-038-002	Upper lever	1

### Standard parts:

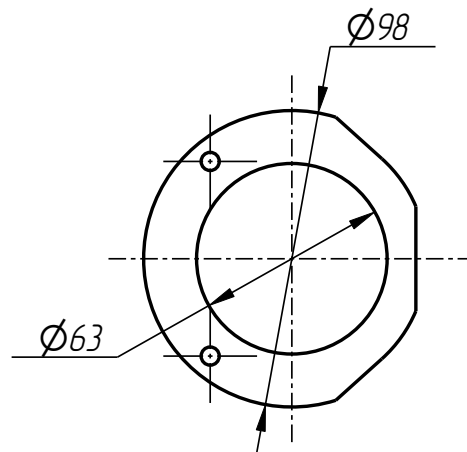
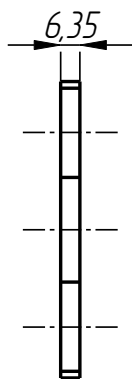
7	Screw M12x12 GOST 11074-93		2
8	Spring pin $\phi$ 5x16 DIN 1481		4



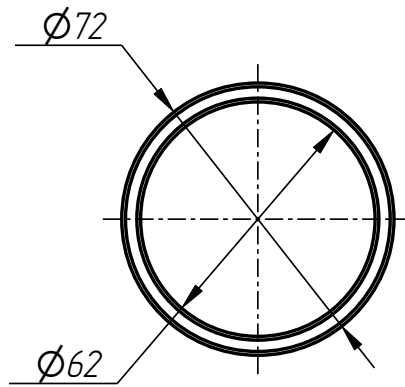
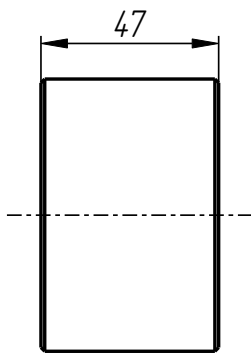
Lower lever  
DF-401-038-001



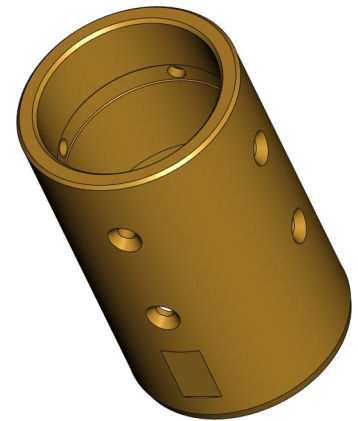
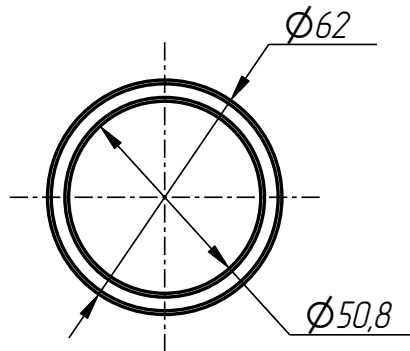
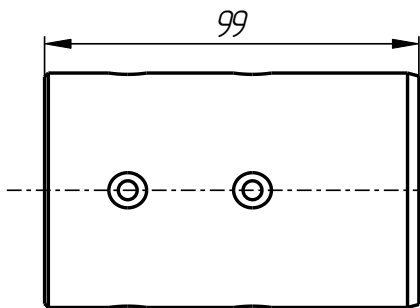
Upper lever  
DF-401-038-002



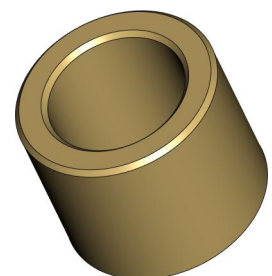
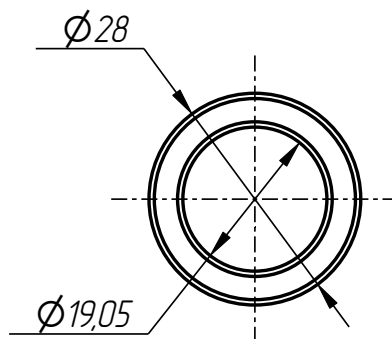
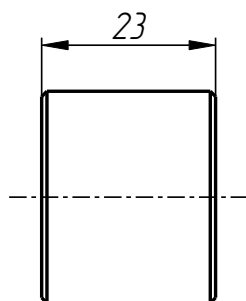
Remote washer  
DF-401-001-003



Bushing  
DF-401-001-004



Bushing  
DF-401-001-005



Bushing  
DF-401-010-003