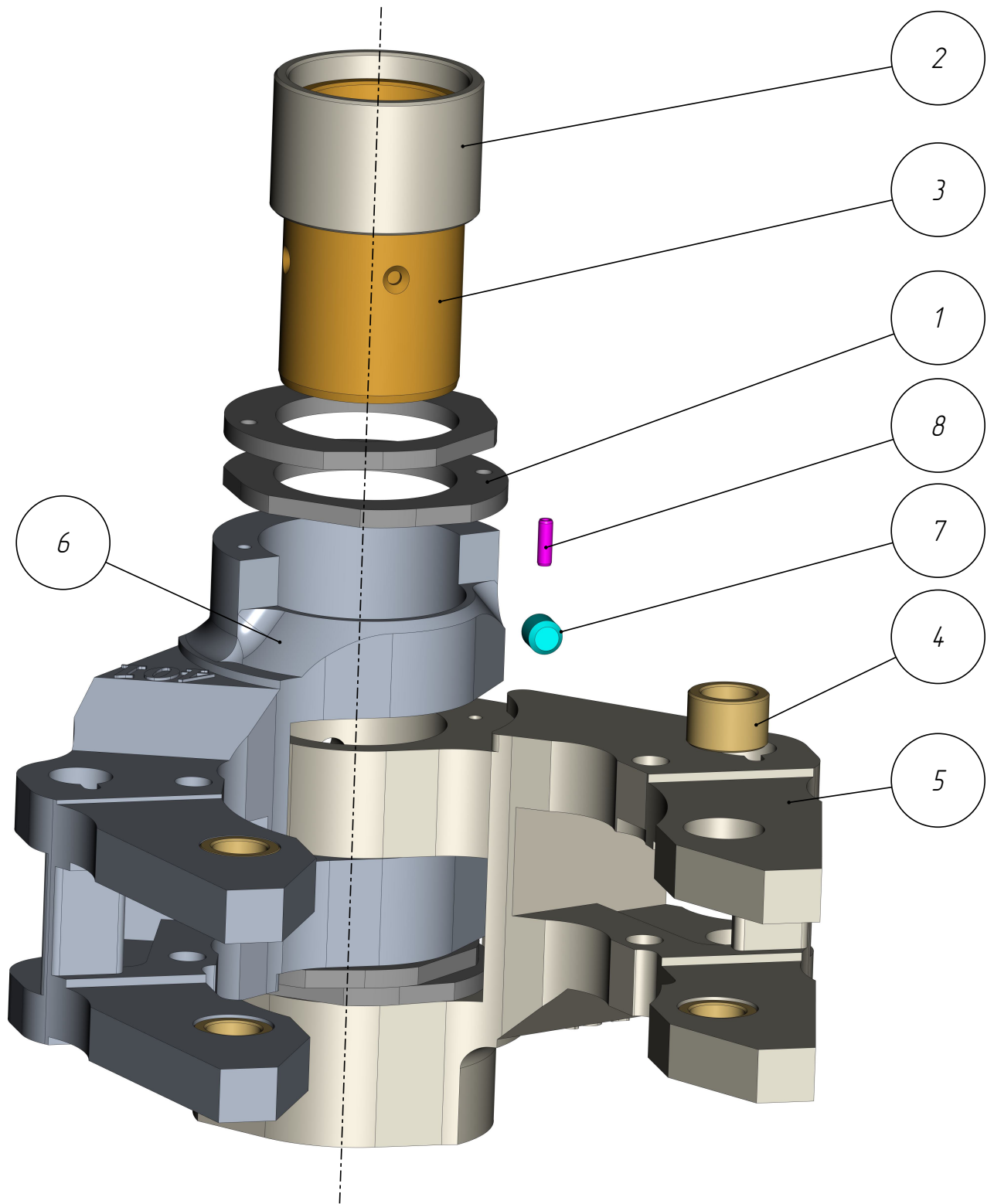


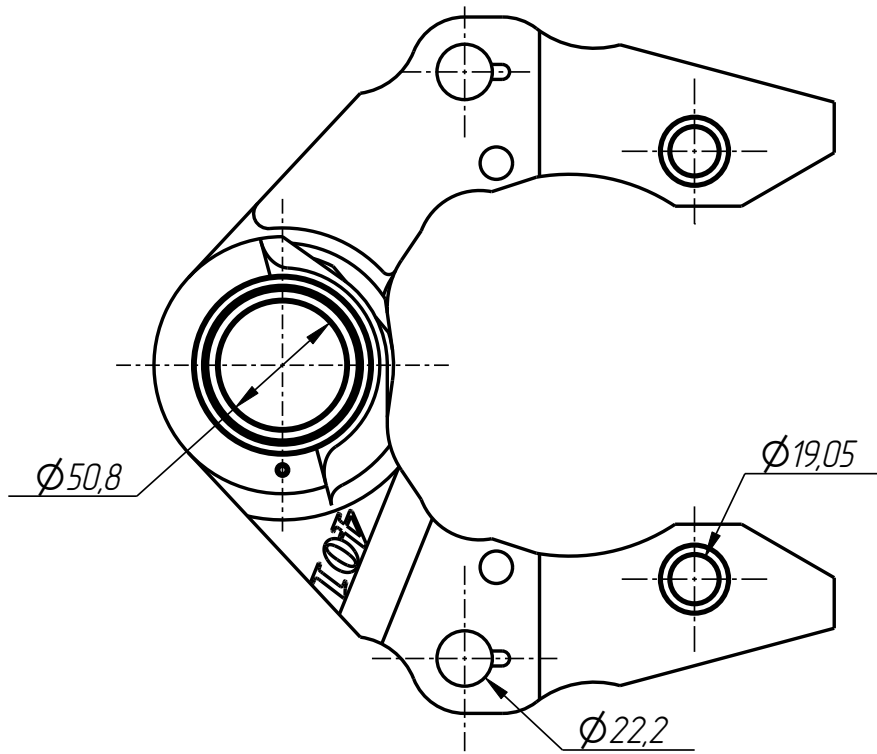
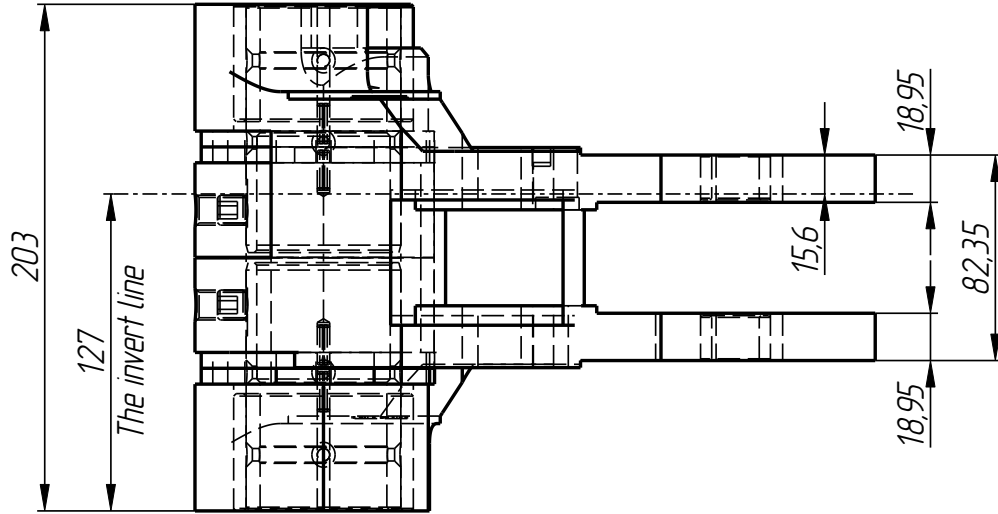
401

DF-401-005

*Form Holder
(191-8456-GR)*



DF-401-005



DF-401-005

Form Holder
(191-8456-GR)

Specification

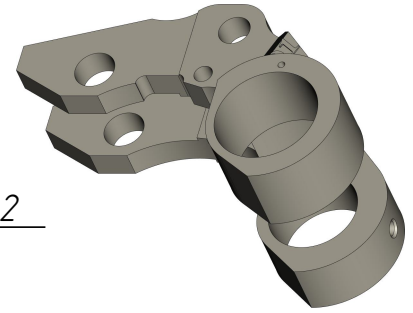
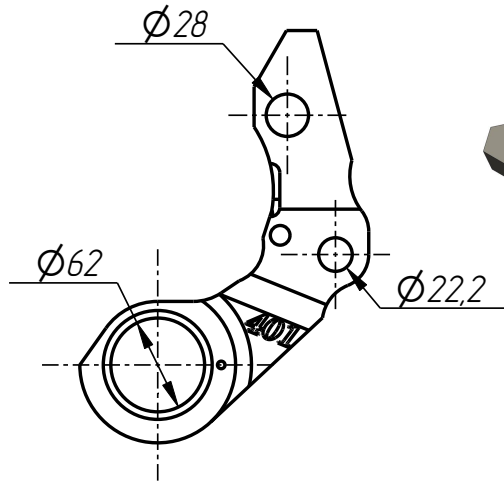
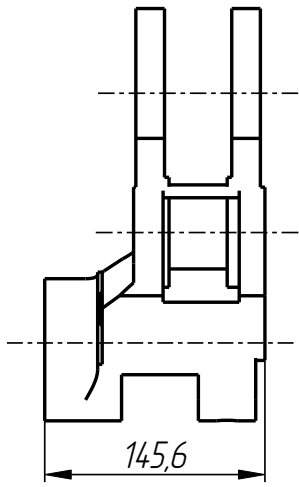
<i>Nº pos.</i>	<i>Code</i>	<i>Name</i>	<i>Qty</i>
----------------	-------------	-------------	------------

Parts:

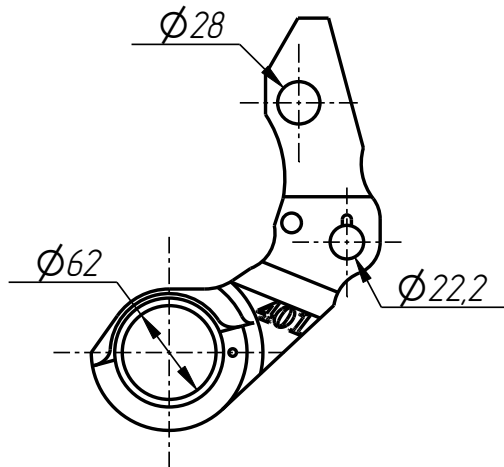
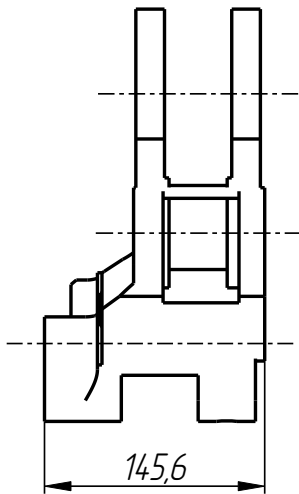
1	DF-401-001-003	Remote washer	4
2	DF-401-001-004	Bushing	2
3	DF-401-001-005	Bushing	2
4	DF-401-003-001	Bushing	4
5	DF-401-005-001	Lower lever	1
6	DF-401-005-002	Upper lever	1

Standard parts:

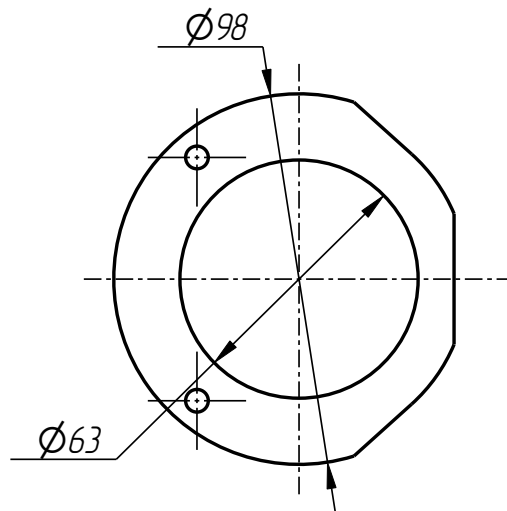
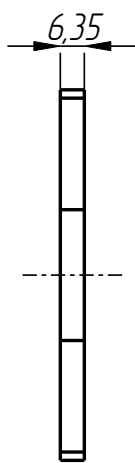
7	Screw M12x12 GOST 11074-93		2
8	Spring pin ϕ 5x16 DIN 1481		4



Lower lever
DF-401-005-001

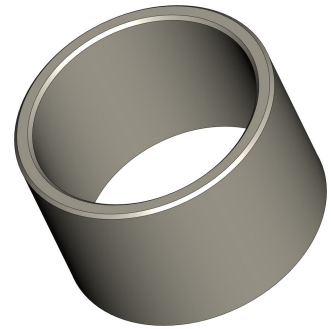
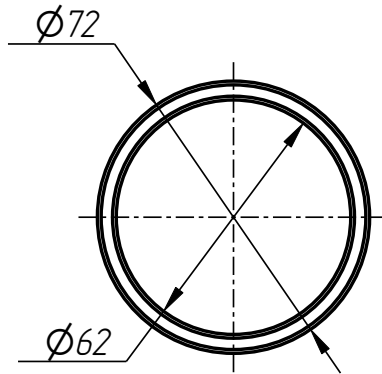
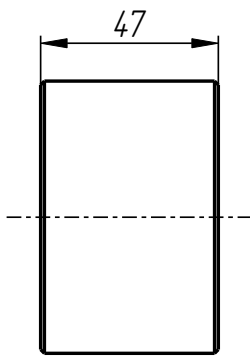


Upper lever
DF-401-005-002

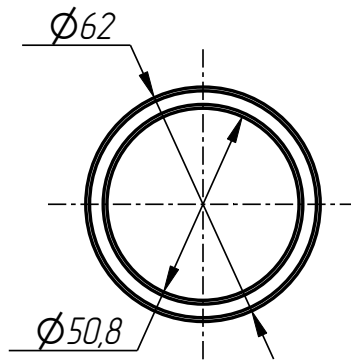
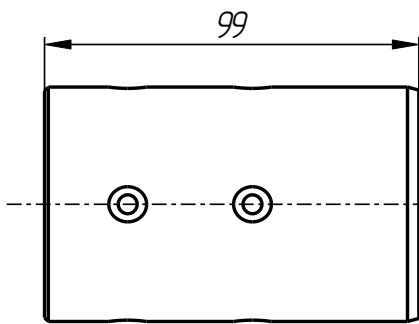


Remote washer
DF-401-001-003

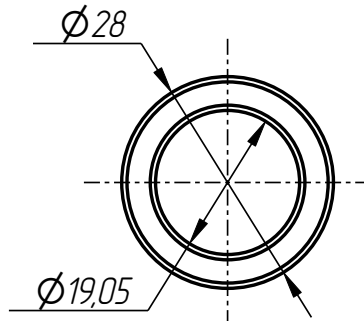
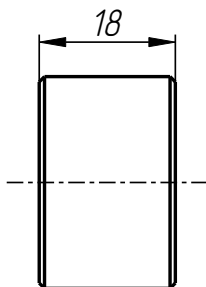
DF-401-005



Bushing
DF-401-001-004



Bushing
DF-401-001-005



Bushing
DF-401-003-001

DF-401-001-004