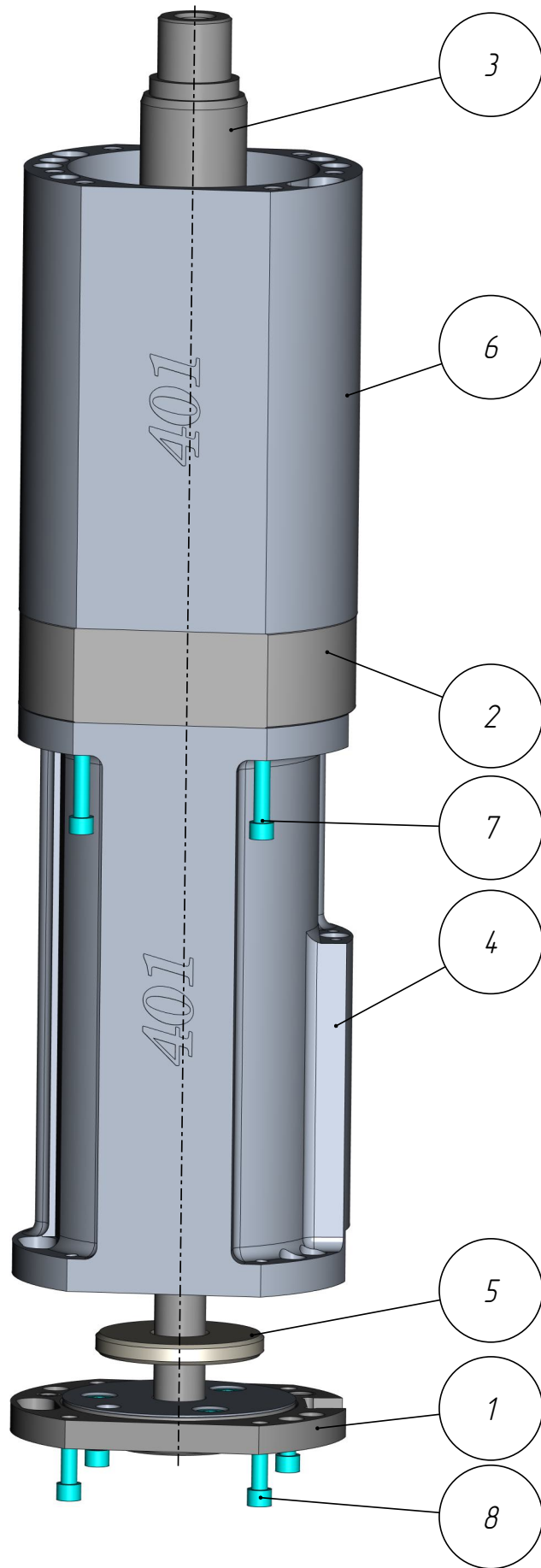


*401*

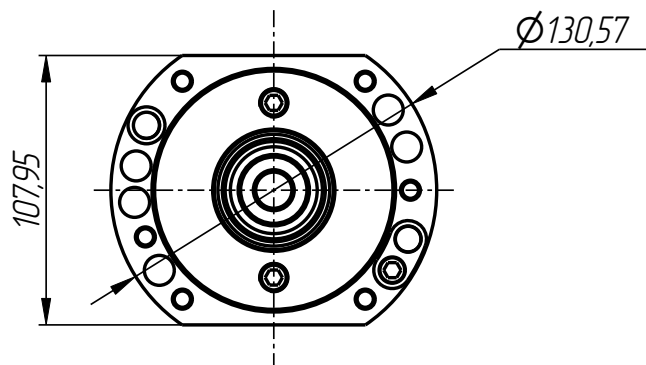
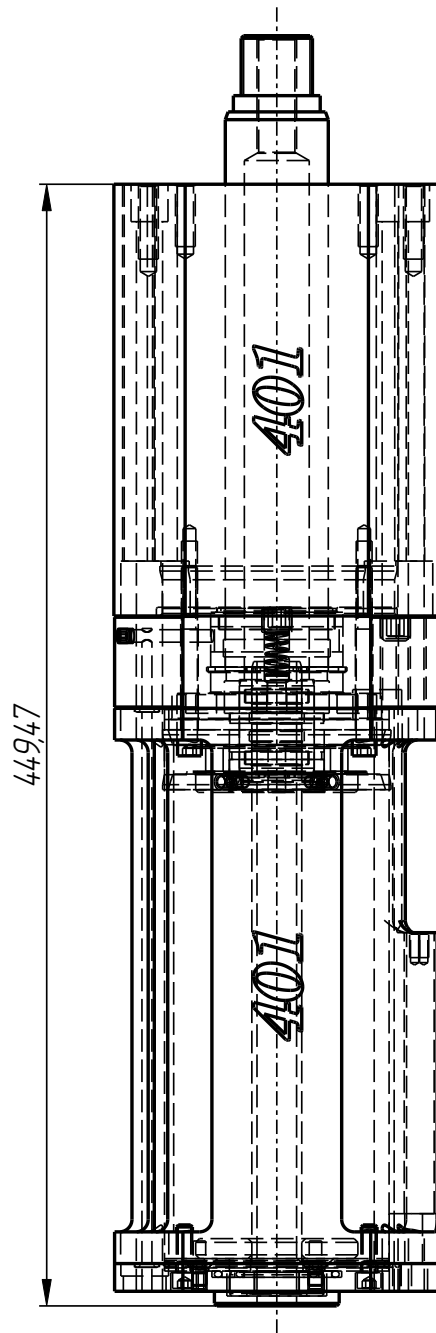
*MPL-401-023*

*Plunger mechanism  
(M7-401-002-vs-l)*



Plunger mechanism  
(MP-401-002-vs-l)  
MPL-401-023

401



MPL-401-023

# MPL-401-023

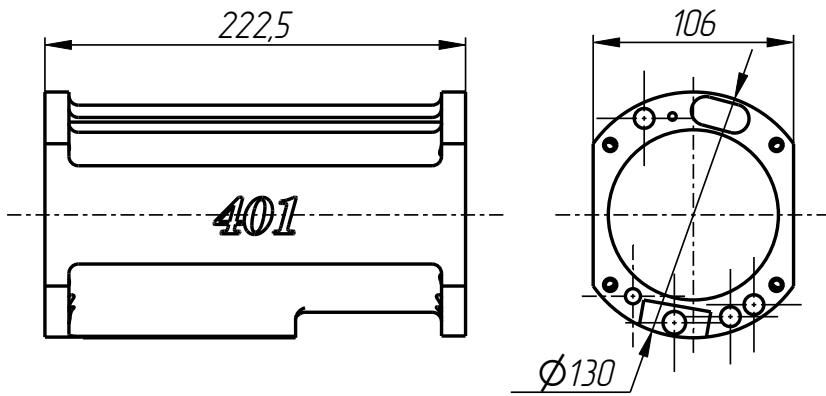
Plunger mechanism  
(МП-401-002-vs-l)

## Specification

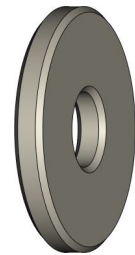
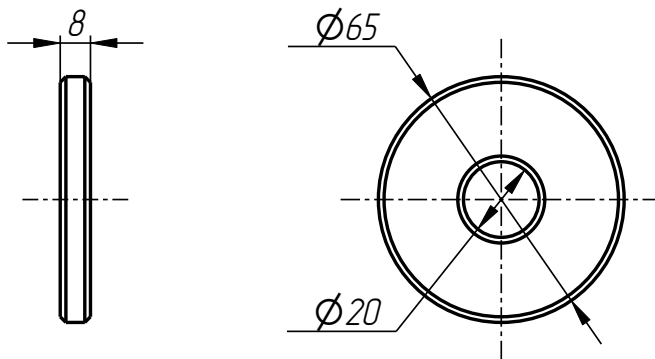
| <i>N° pos.</i>            | <i>Code</i>                     | <i>Name</i>     | <i>Qty</i> |
|---------------------------|---------------------------------|-----------------|------------|
| <i>Сборочные единицы:</i> |                                 |                 |            |
| 1                         | MPL-401-021-002                 | Cap assembly    | 1          |
| 2                         | MPL-401-021-005                 | Flange assembly | 1          |
| 3                         | MPL-401-023-001                 | Piston assembly | 1          |
| <i>Parts:</i>             |                                 |                 |            |
| 4                         | MPL-401-021-001                 | Cylinder        | 1          |
| 5                         | MPL-401-021-003                 | Washer          | 1          |
| 6                         | MPL-401-021-006                 | Main body       | 1          |
| <i>Standard parts:</i>    |                                 |                 |            |
| 7                         | Screw UNC1/4"-20x2 3/4" DIN 912 |                 | 4          |
| 8                         | Screw UNC1/4"-20x3/4" DIN 912   |                 | 4          |

Plunger mechanism  
(МП-401-002-вс-л)  
MPL-401-023

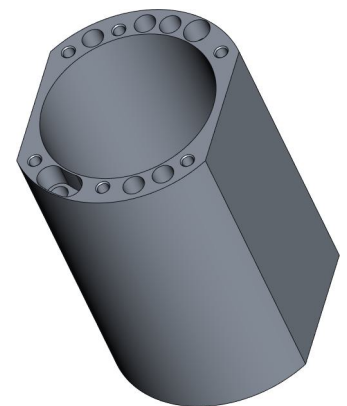
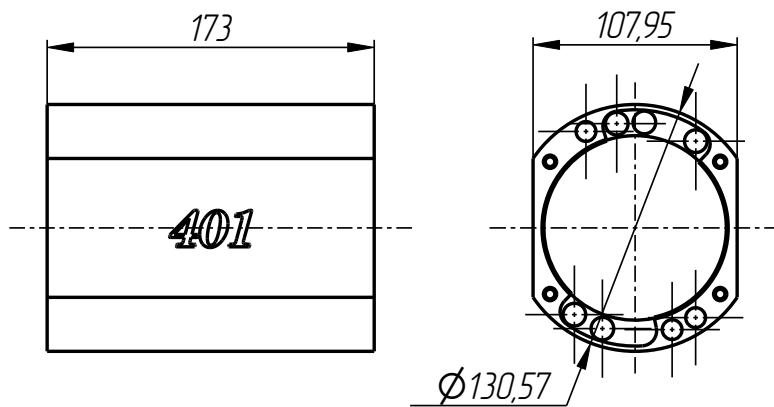
401



Cylinder  
MPL-401-021-001

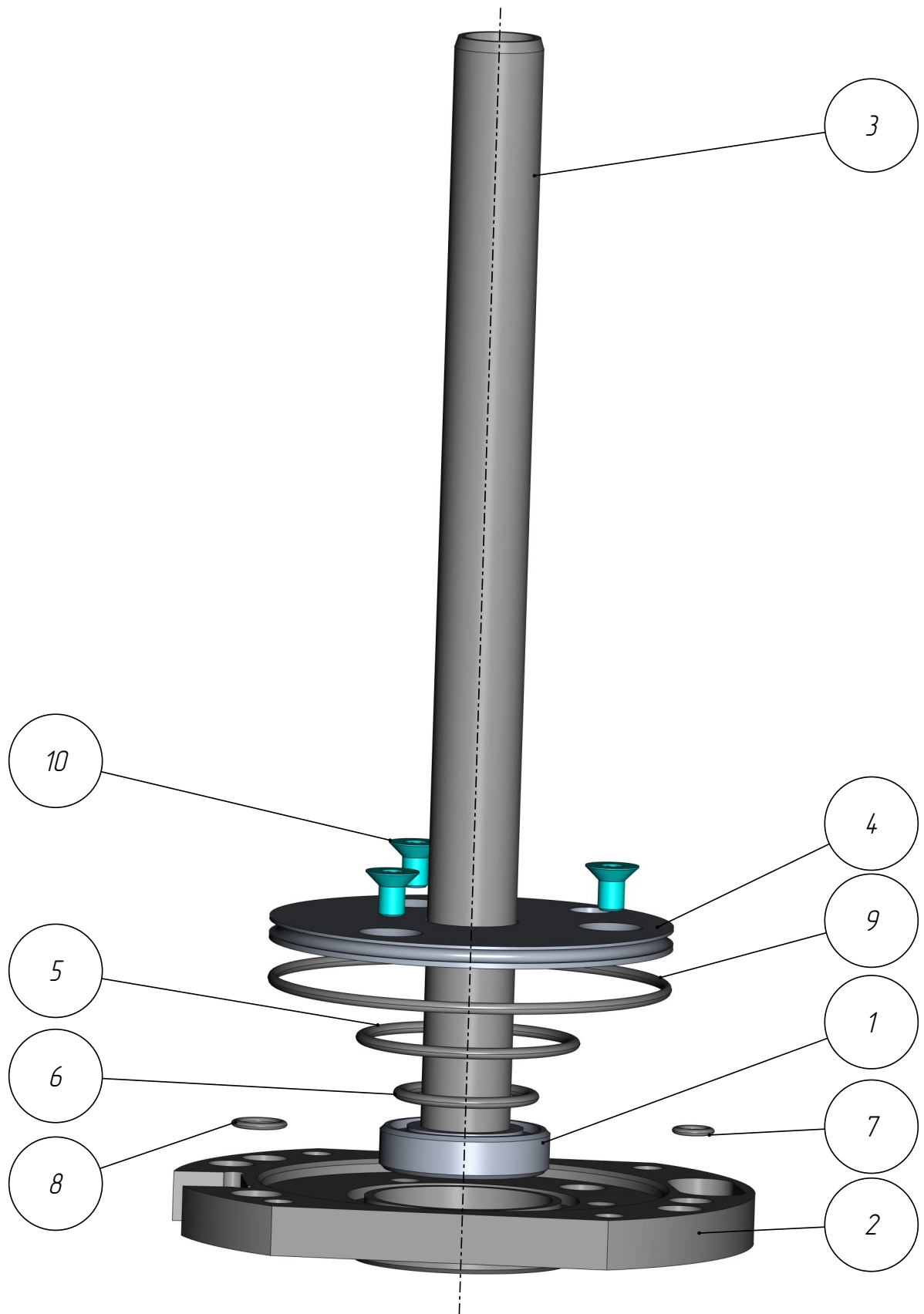


Washer  
MPL-401-021-003



Main body  
MPL-401-021-006

MPL-401-023



MPL-401-021-002

# MPL-401-021-002

## Cap assembly

### Specification

| <i>N° pos.</i> | <i>Code</i> | <i>Name</i> | <i>Qty</i> |
|----------------|-------------|-------------|------------|
|----------------|-------------|-------------|------------|

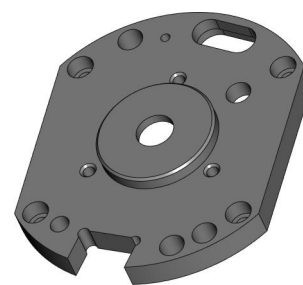
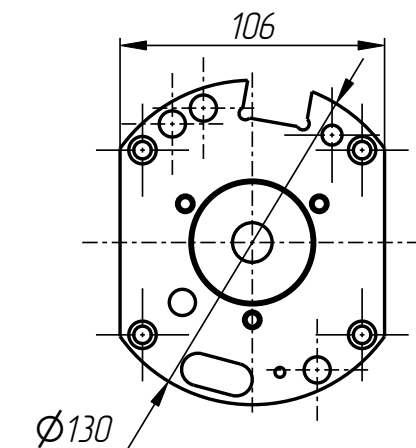
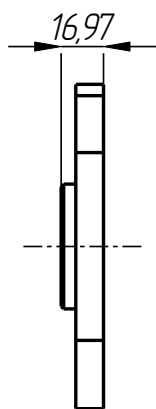
*Parts:*

|   |                     |        |   |
|---|---------------------|--------|---|
| 1 | MPL-401-001-005-004 | Ring   | 1 |
| 2 | MPL-401-021-002-001 | Cap    | 1 |
| 3 | MPL-401-021-002-002 | Stock  | 1 |
| 4 | MPL-401-021-002-003 | Washer | 1 |

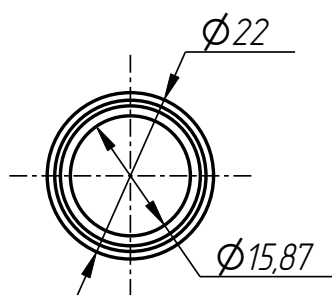
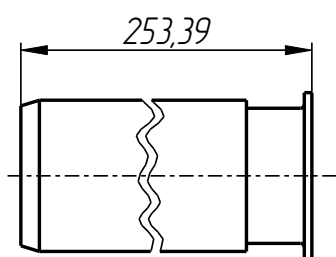
*Standard parts:*

|    |                      |   |
|----|----------------------|---|
| 5  | Ring 445030          | 1 |
| 6  | Ring 26.532.537      | 1 |
| 7  | Ring 5.79.51.90      | 1 |
| 8  | Ring 8.712.51.97     | 1 |
| 9  | Ring 83.588.52.57    | 1 |
| 10 | Screw M6x10 DIN 7991 | 3 |

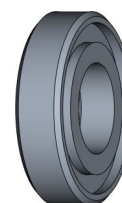
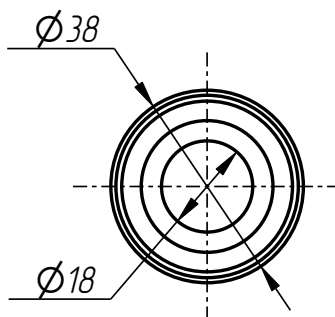
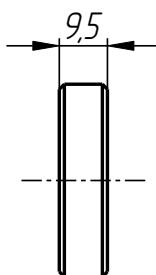
Cap assembly  
MPL-401-021-002



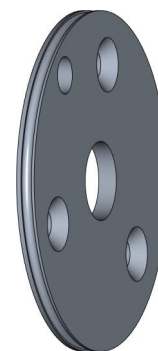
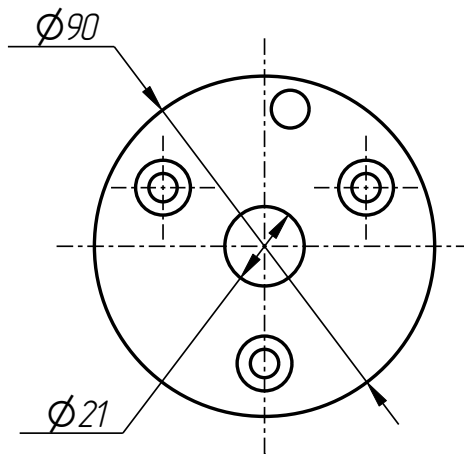
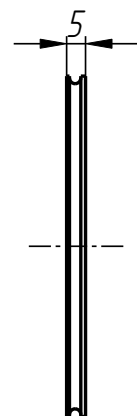
Cap  
MPL-401-021-002-001



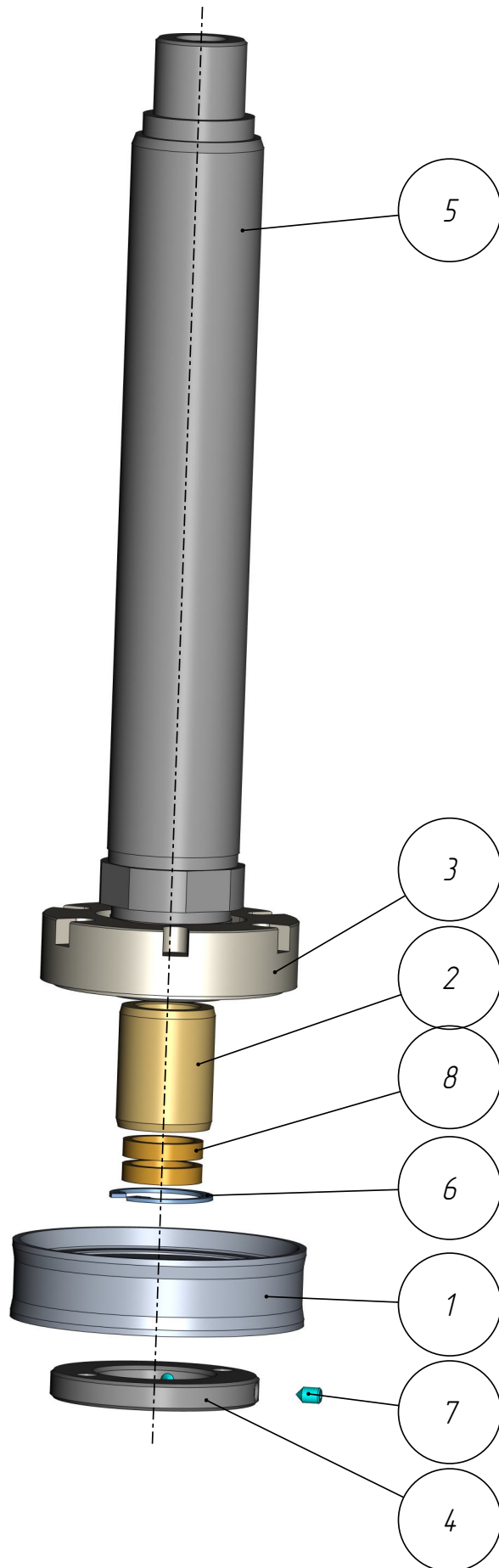
Stack  
MPL-401-021-002-002



Ring  
MPL-401-001-005-004



Washer  
MPL-401-021-002-003



MPL-401-023-001

# MPL-401-023-001

## Piston assembly

### Specification

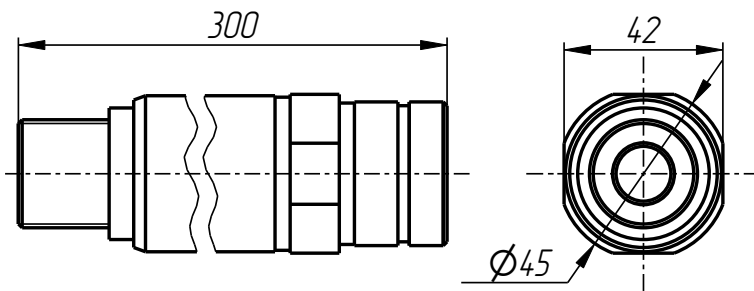
| <i>Nº pos.</i> | <i>Code</i> | <i>Name</i> | <i>Qty</i> |
|----------------|-------------|-------------|------------|
|----------------|-------------|-------------|------------|

#### Parts:

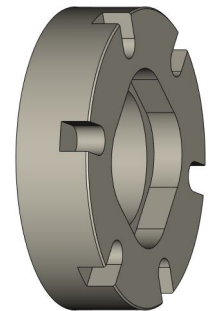
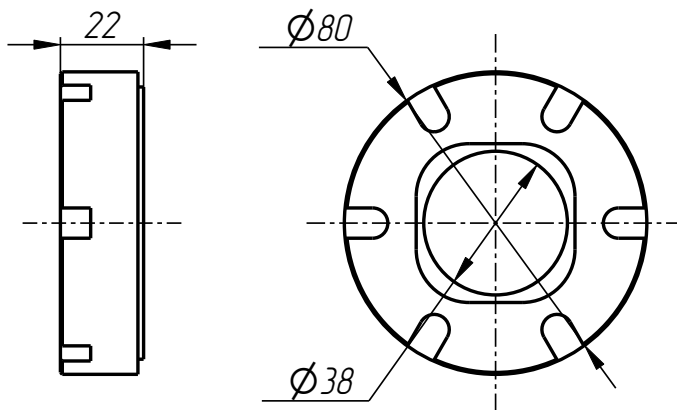
|   |                     |         |   |
|---|---------------------|---------|---|
| 1 | MPL-401-001-010     | Piston  | 1 |
| 2 | MPL-401-003-003-003 | Bushing | 1 |
| 3 | MPL-401-021-004-002 | Cap     | 1 |
| 4 | MPL-401-021-004-003 | Ring    | 1 |
| 5 | MPL-401-023-001-001 | Stock   | 1 |

#### Standard parts:

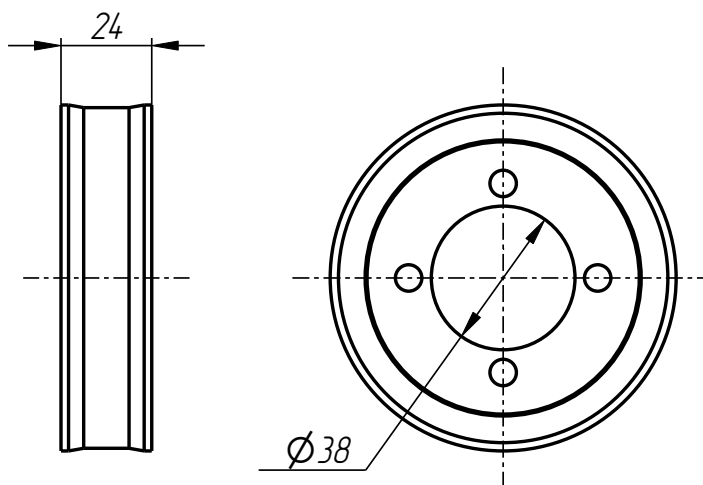
|   |                                      |  |   |
|---|--------------------------------------|--|---|
| 6 | Locking Ring $\phi$ 30 GOST 13943-86 |  | 1 |
| 7 | Screw M5x8 GOST 8878-93              |  | 2 |
| 8 | Sealing 1.20255.2                    |  | 2 |



Stock  
MPL-401-023-001-001

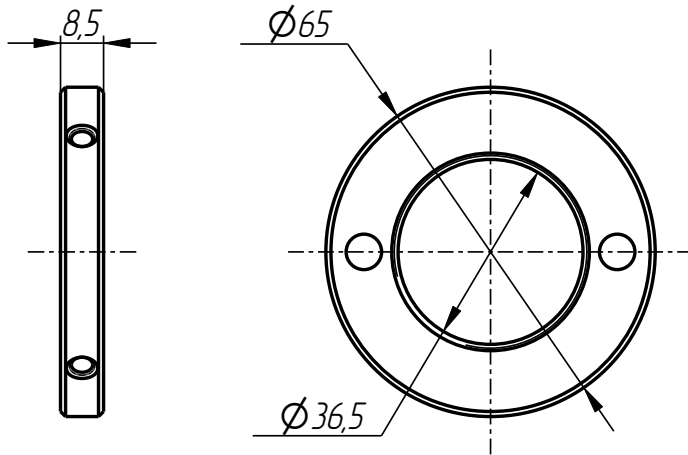


Cap  
MPL-401-021-004-002

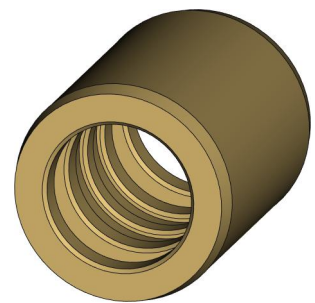
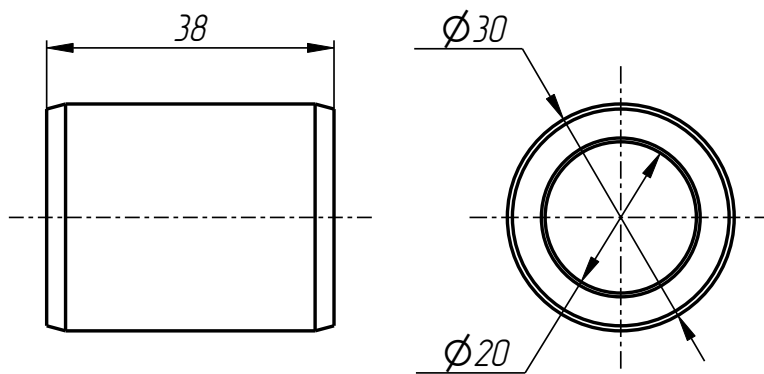


Piston  
MPL-401-001-010

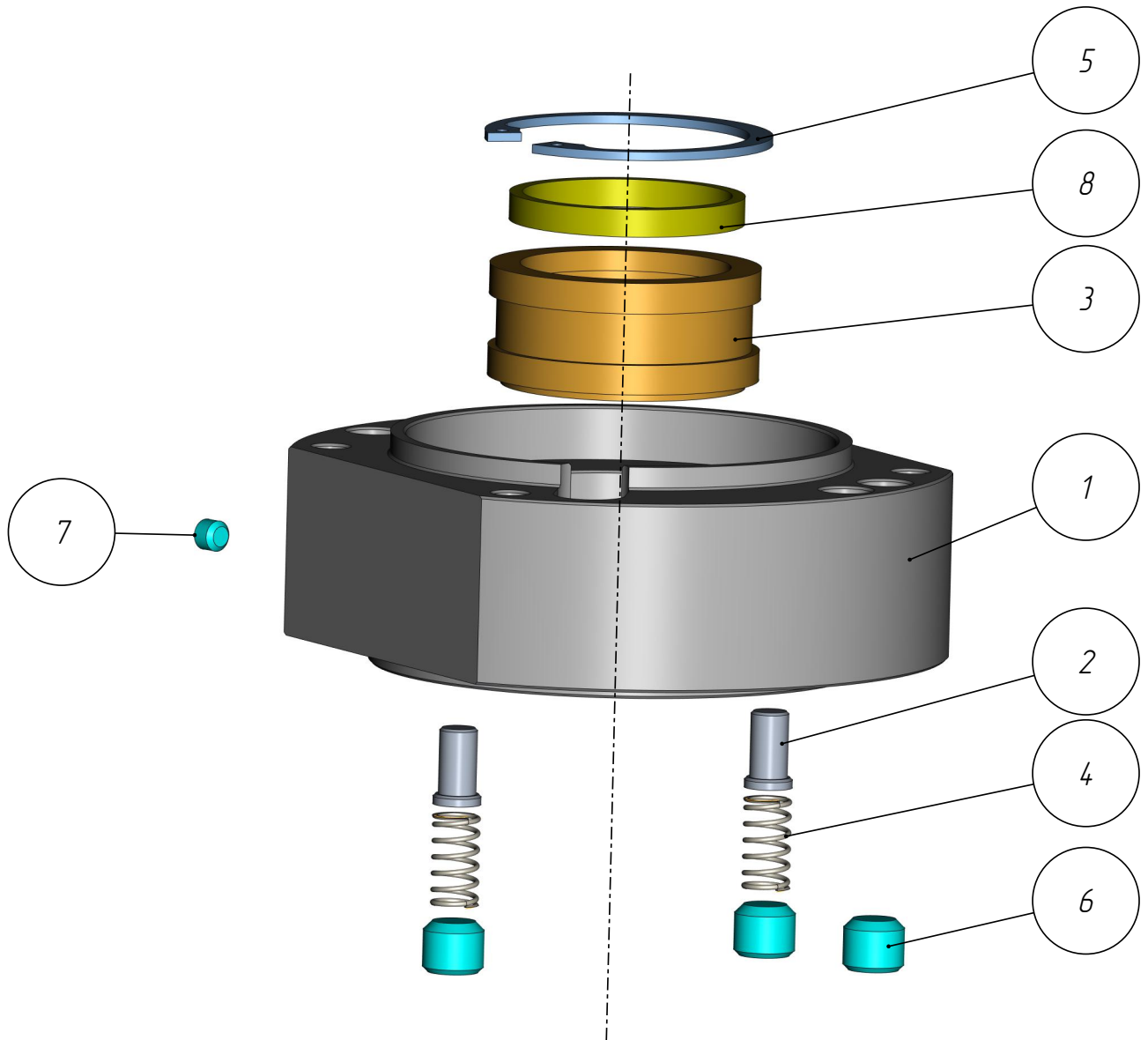
MPL-401-023-001



Ring  
MPL-401-021-004-003



Bushing  
MPL-401-003-003-003



MPL-401-021-005

# MPL-401-021-005

## Flange assembly

### Specification

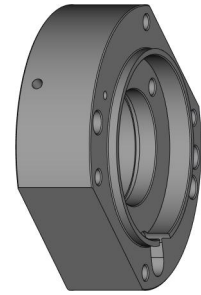
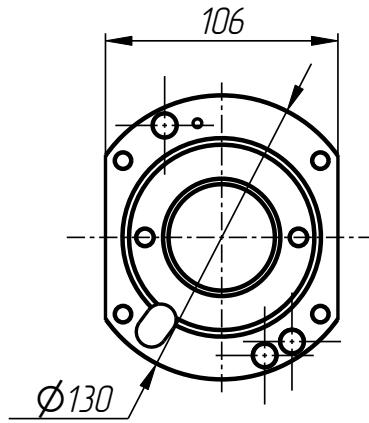
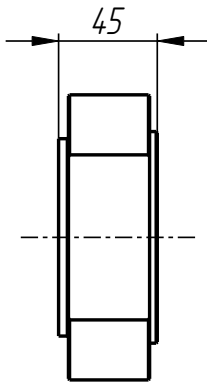
| N° pos. | Code | Name | Qty |
|---------|------|------|-----|
|---------|------|------|-----|

#### Parts:

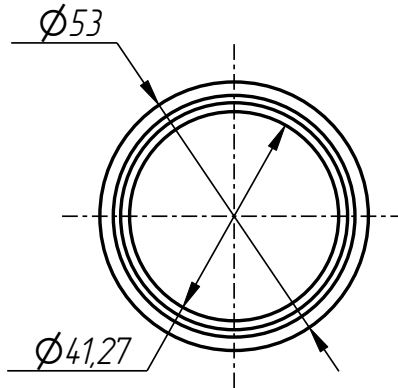
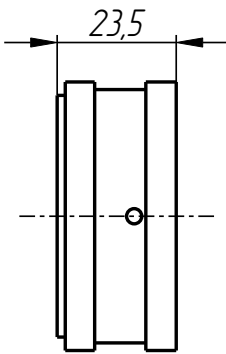
|   |                     |         |   |
|---|---------------------|---------|---|
| 1 | MPL-401-021-005-001 | Flange  | 1 |
| 2 | MPL-401-021-005-002 | Plug    | 2 |
| 3 | MPL-401-021-005-003 | Bushing | 1 |
| 4 | MPL-401-021-005-004 | Spring  | 2 |

#### Standard parts:

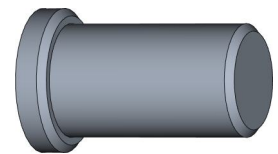
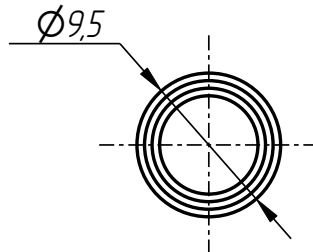
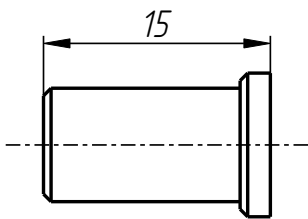
|   |                                      |  |   |
|---|--------------------------------------|--|---|
| 5 | Locking Ring $\phi 52$ GOST 13943-86 |  | 1 |
| 6 | Screw M12x10 GOST 11074-93           |  | 3 |
| 7 | Screw M6x5 GOST 11074-93             |  | 1 |
| 8 | Sealing 1.41465.4                    |  | 1 |



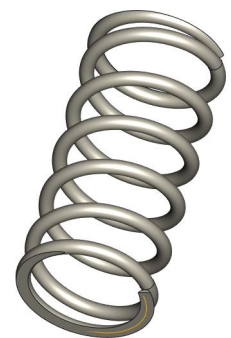
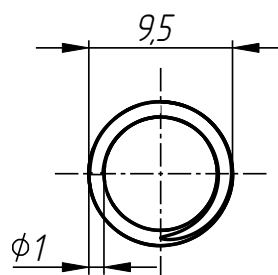
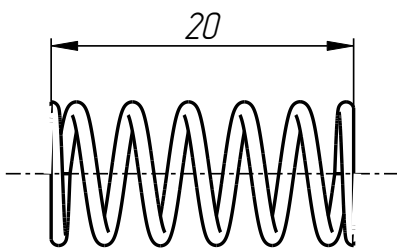
Flange  
MPL-401-021-005-001



Bushing  
MPL-401-021-005-003



Plug  
MPL-401-021-005-002



Spring  
MPL-401-021-005-004