

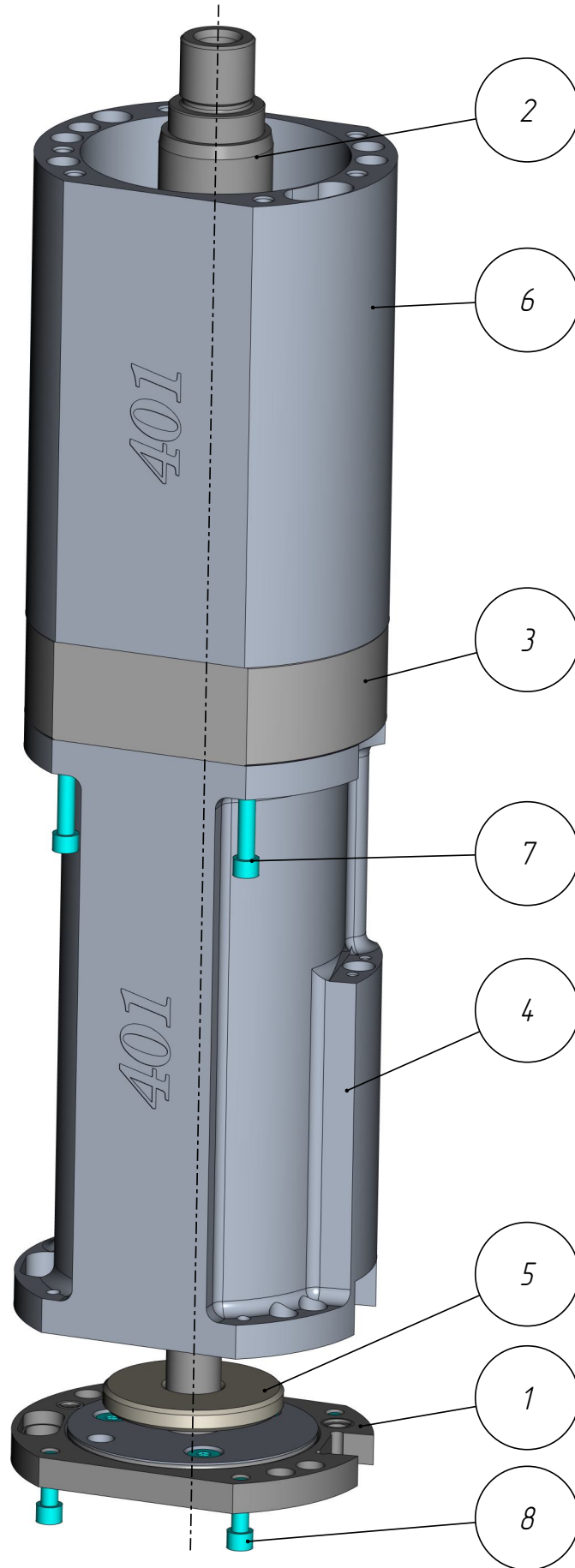
*401*

*MPL-401-021*

*Plunger mechanism  
(M7-401-002al-vs)*

Plunger mechanism  
(МП-401-002al-vs)  
MPL-401-021

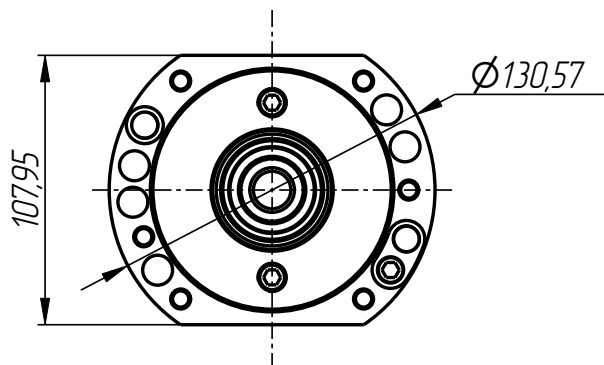
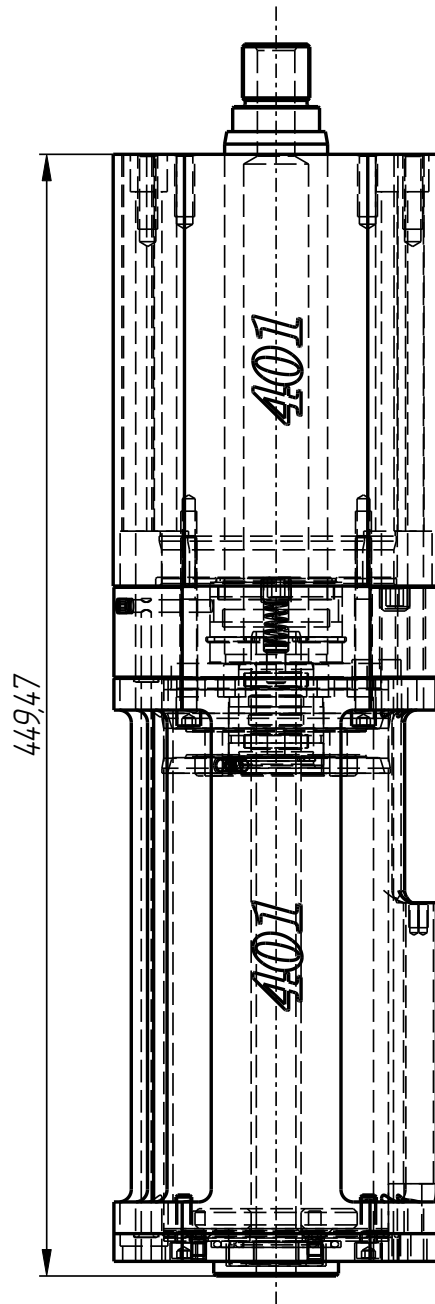
401



MPL-401-021

Plunger mechanism  
(МП-401-002al-vs)  
MPL-401-021

401



MPL-401-021

# MPL-401-021

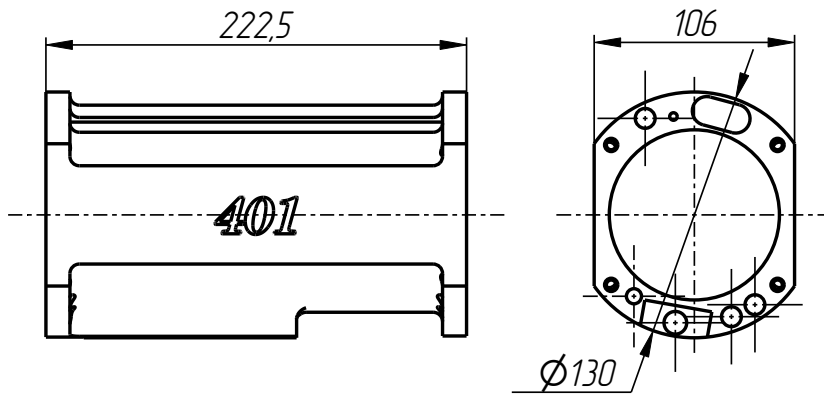
Plunger mechanism  
(МП-401-002al-vs)

## Specification

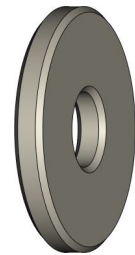
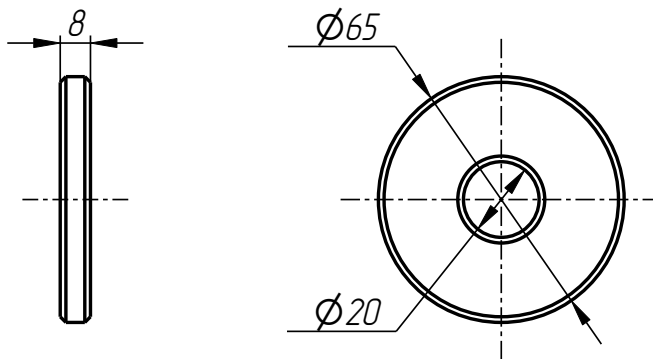
<i>N° pos.</i>	<i>Code</i>	<i>Name</i>	<i>Qty</i>
<i>Сборочные единицы:</i>			
1	MPL-401-021-002	Cap assembly	1
2	MPL-401-021-004	Piston assembly	1
3	MPL-401-021-005	Flange assembly	1
<i>Parts:</i>			
4	MPL-401-021-001	Cylinder	1
5	MPL-401-021-003	Washer	1
6	MPL-401-021-006	Main body	1
<i>Standard parts:</i>			
7	Screw UNC1/4"-20x2 3/4" DIN 912		4
8	Screw UNC1/4"-20x3/4" DIN 912		4

Plunger mechanism  
(MP-401-002al-vs)  
MPL-401-021

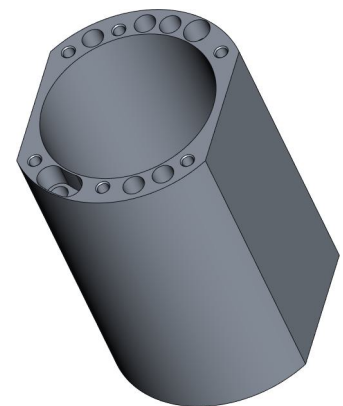
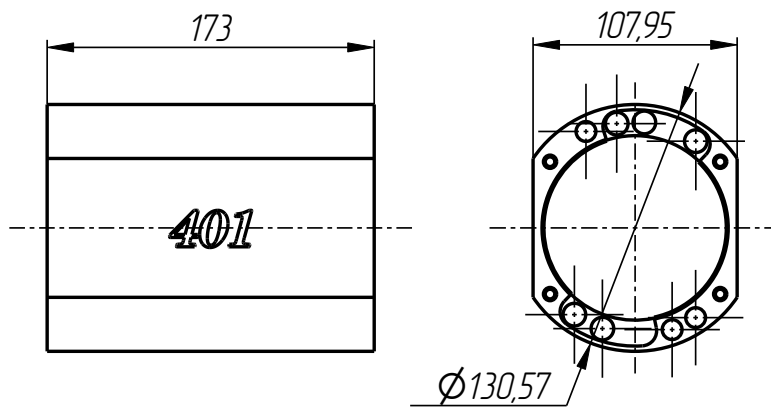
401



Cylinder  
MPL-401-021-001

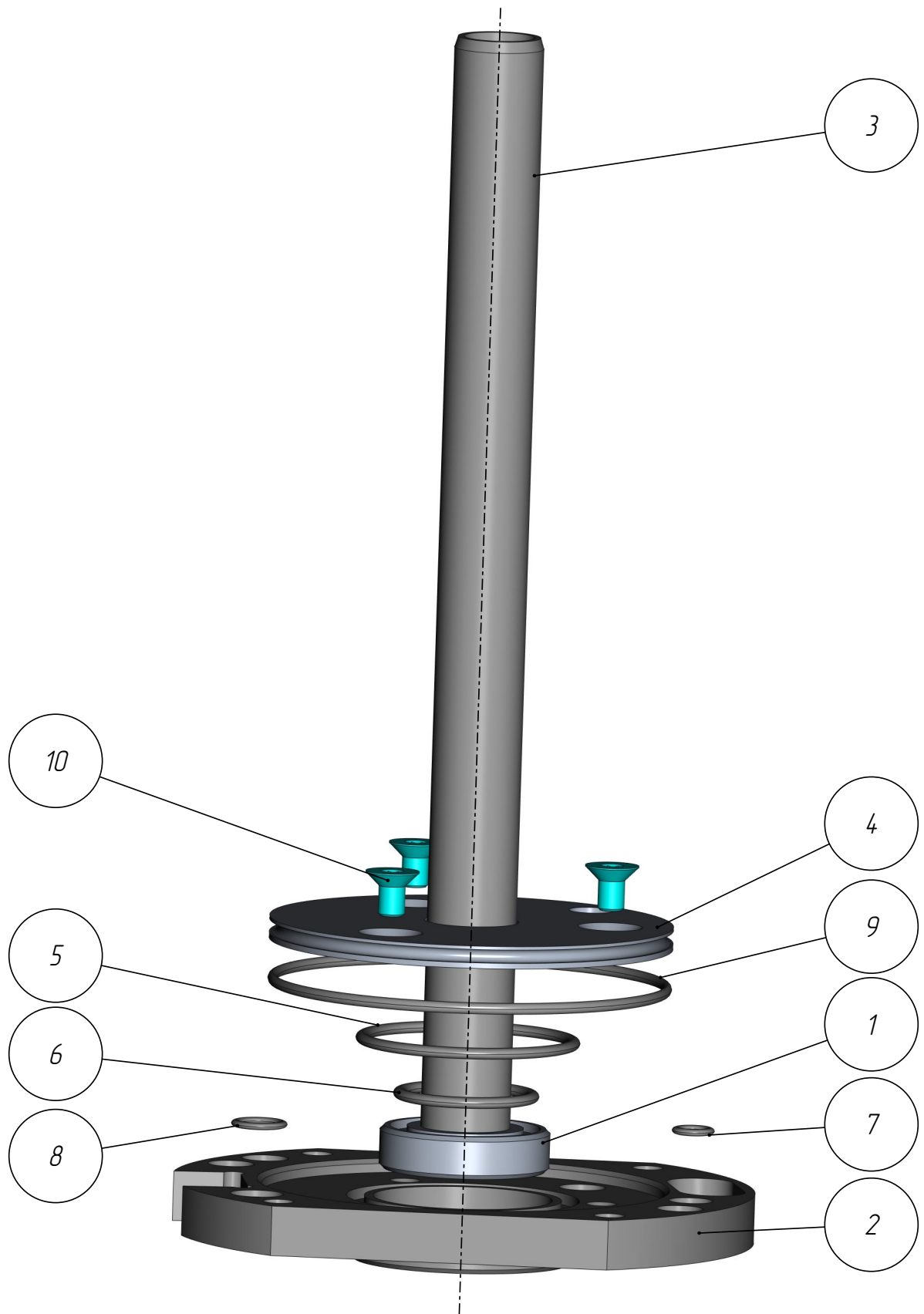


Washer  
MPL-401-021-003



Main body  
MPL-401-021-006

MPL-401-021



MPL-401-021-002

# MPL-401-021-002

## Cap assembly

### Specification

<i>Nº pos.</i>	<i>Code</i>	<i>Name</i>	<i>Qty</i>
----------------	-------------	-------------	------------

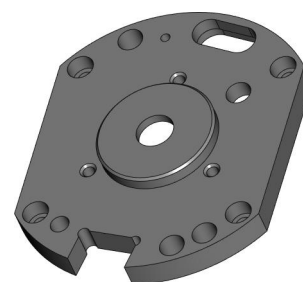
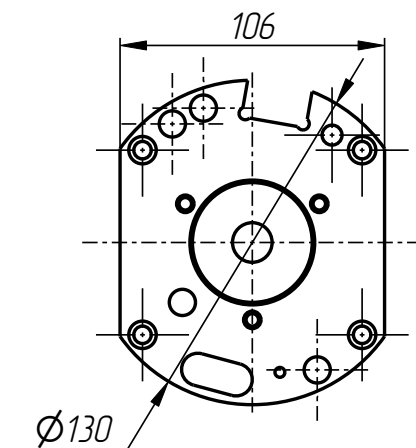
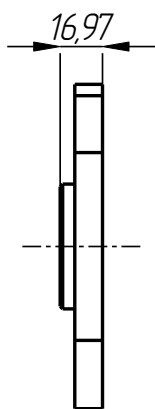
#### Parts:

1	MPL-401-001-005-004	Ring	1
2	MPL-401-021-002-001	Cap	1
3	MPL-401-021-002-002	Stack	1
4	MPL-401-021-002-003	Washer	1

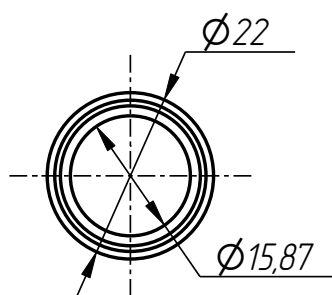
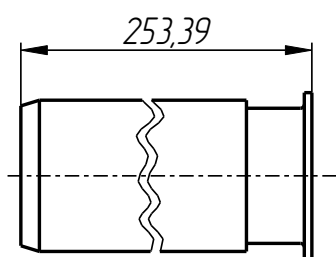
#### Standard parts:

5	Ring 445030	1
6	Ring 26.532.537	1
7	Ring 5.79.51.90	1
8	Ring 8.712.51.97	1
9	Ring 83.588.52.57	1
10	Screw M6x10 DIN 7991	3

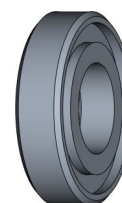
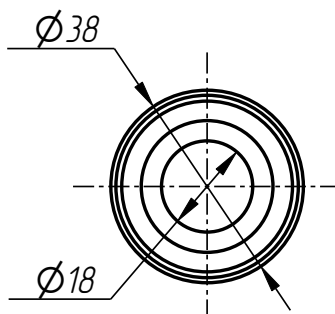
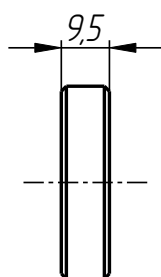
Cap assembly  
MPL-401-021-002



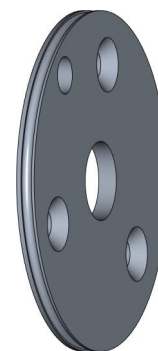
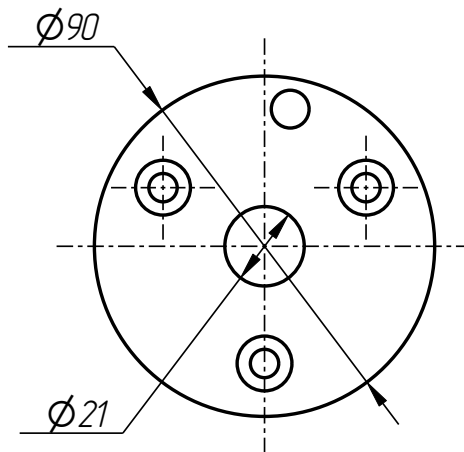
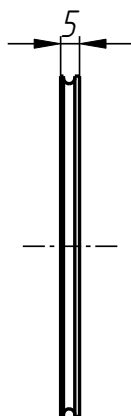
Cap  
MPL-401-021-002-001



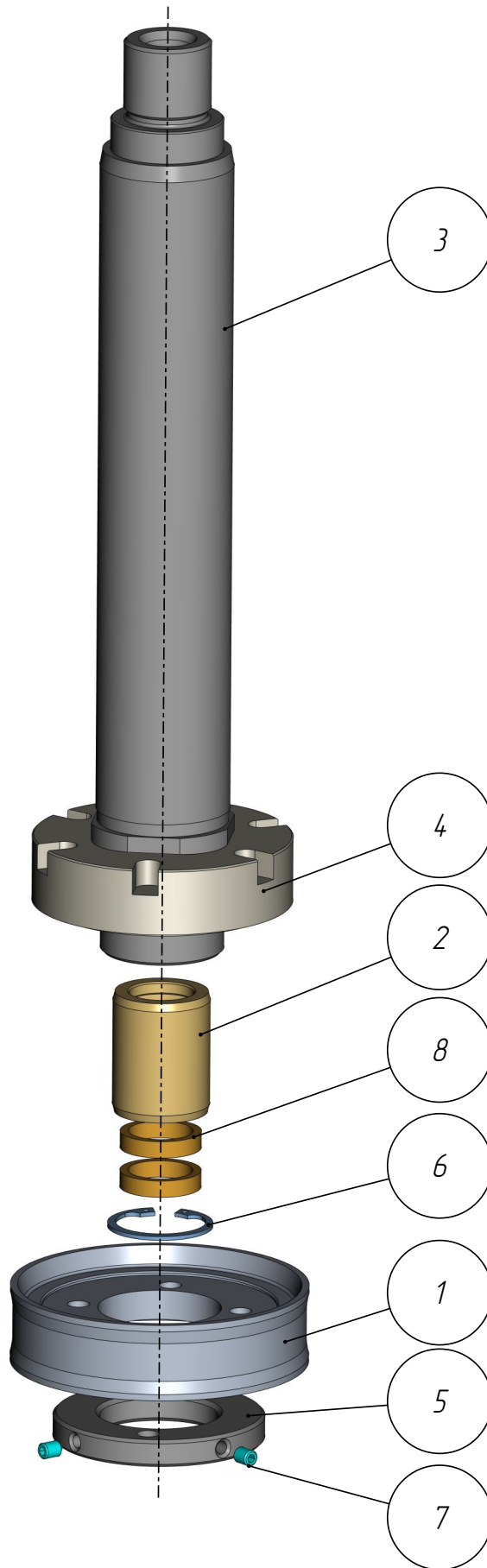
Stock  
MPL-401-021-002-002



Ring  
MPL-401-001-005-004



Washer  
MPL-401-021-002-003



MPL-401-021-004

# MPL-401-021-004

## Piston assembly

### Specification

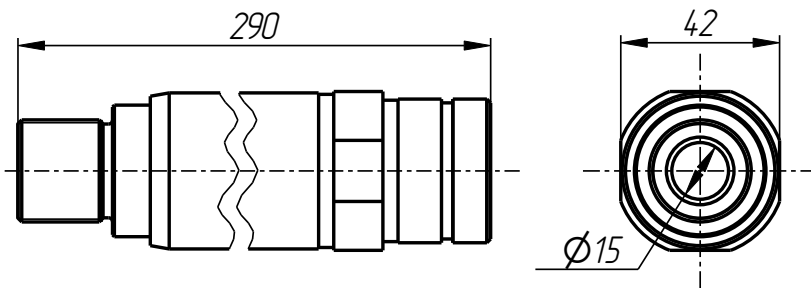
<i>Nº pos.</i>	<i>Code</i>	<i>Name</i>	<i>Qty</i>
----------------	-------------	-------------	------------

#### Parts:

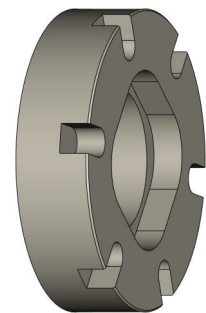
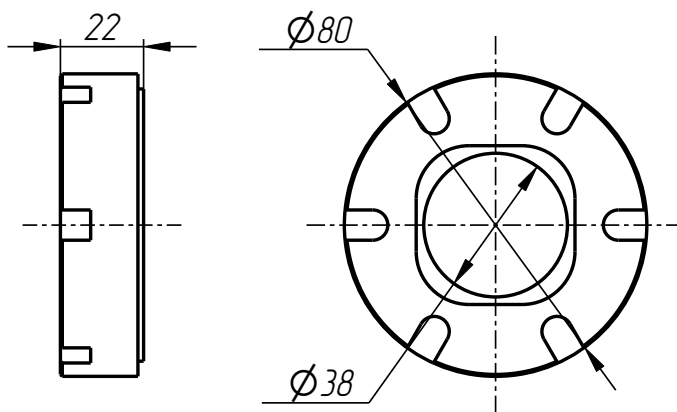
1	MPL-401-001-010	Piston	1
2	MPL-401-003-003-003	Bushing	1
3	MPL-401-021-004-001	Stock	1
4	MPL-401-021-004-002	Cap	1
5	MPL-401-021-004-003	Ring	1

#### Standard parts:

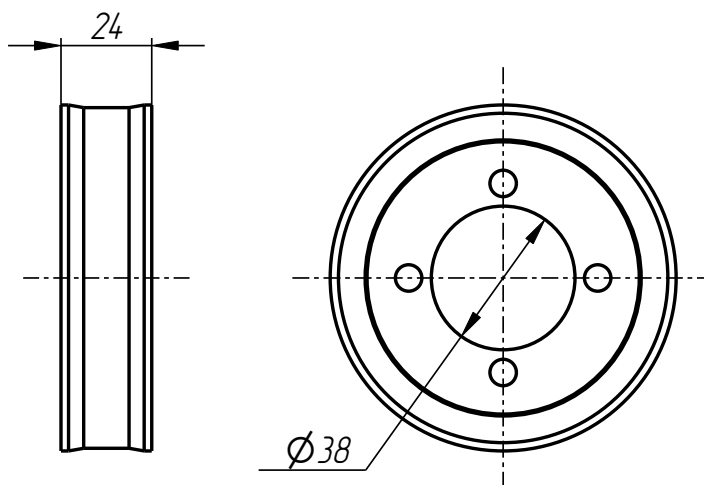
6	Locking Ring $\phi$ 30 GOST 13943-86		1
7	Screw M5x8 GOST 8878-93		2
8	Sealing 1.20255.2		2



Stack  
MPL-401-021-004-001

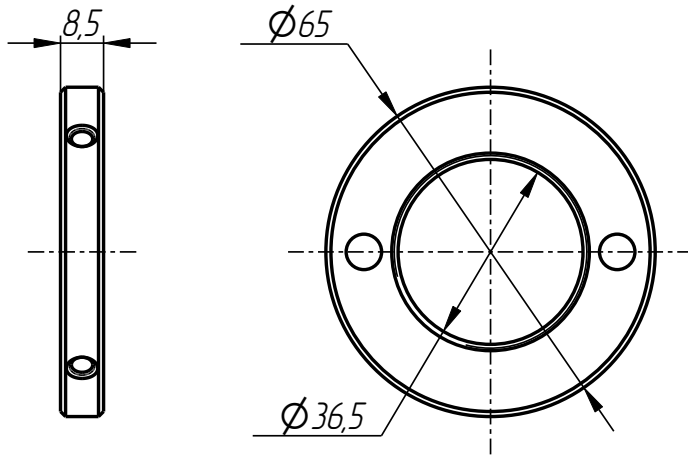


Cap  
MPL-401-021-004-002

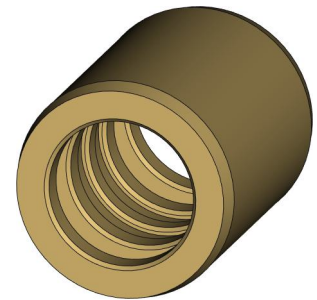
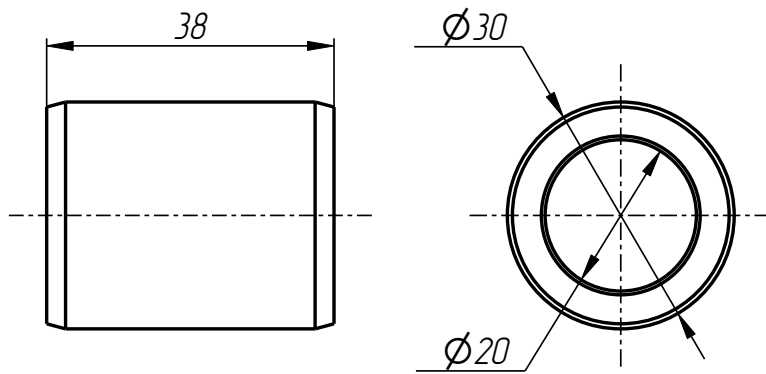


Piston  
MPL-401-001-010

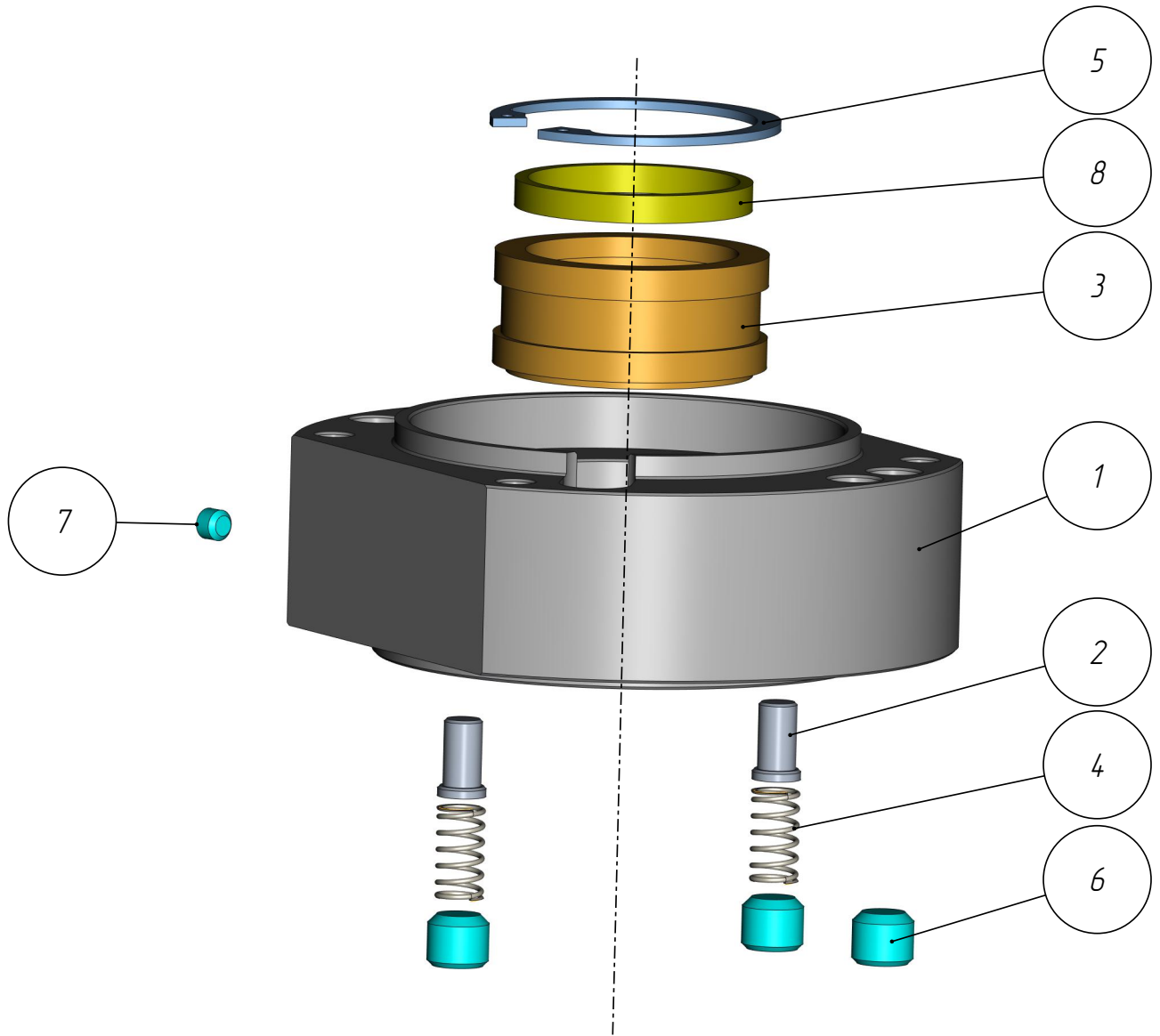
MPL-401-021-004



Ring  
MPL-401-021-004-003



Bushing  
MPL-401-003-003-003



MPL-401-021-005

# MPL-401-021-005

## Flange assembly

### Specification

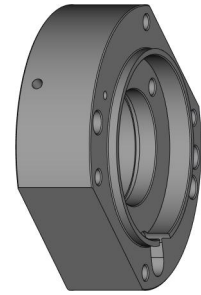
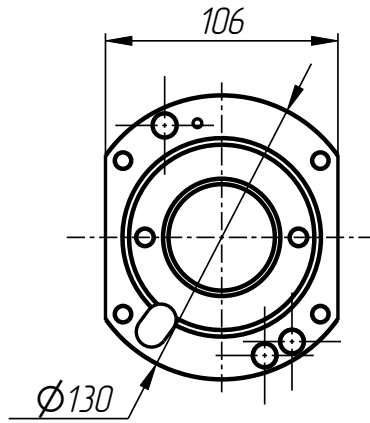
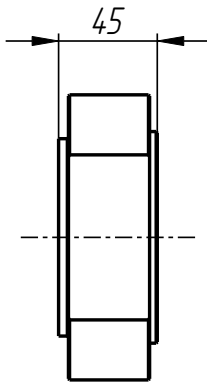
<i>Nº pos.</i>	<i>Code</i>	<i>Name</i>	<i>Qty</i>
----------------	-------------	-------------	------------

#### Parts:

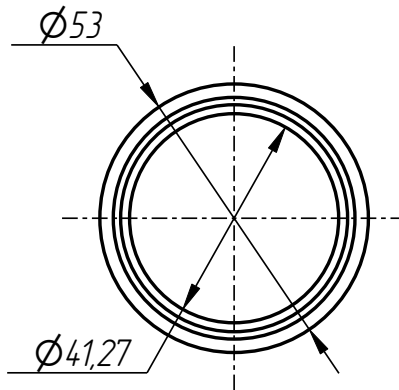
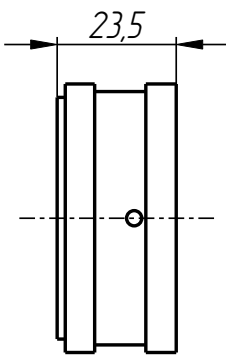
1	MPL-401-021-005-001	Flange	1
2	MPL-401-021-005-002	Plug	2
3	MPL-401-021-005-003	Bushing	1
4	MPL-401-021-005-004	Spring	2

#### Standard parts:

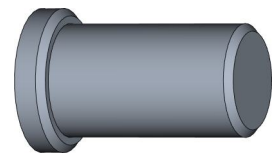
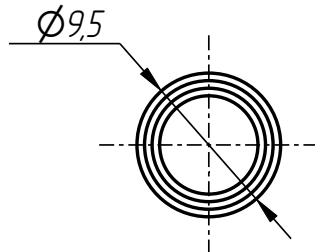
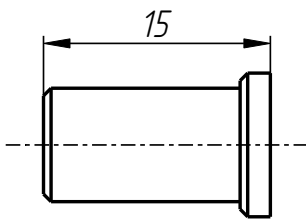
5	Locking Ring $\phi$ 52 GOST 13943-86		1
6	Screw M12x10 GOST 11074-93		3
7	Screw M6x5 GOST 11074-93		1
8	Sealing 1.41465.4		1



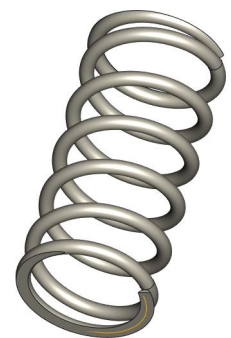
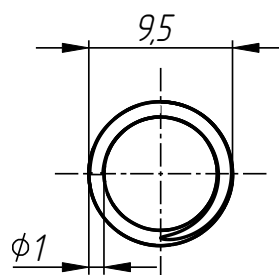
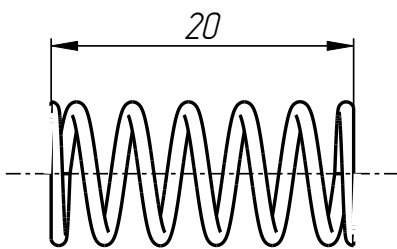
Flange  
MPL-401-021-005-001



Bushing  
MPL-401-021-005-003



Plug  
MPL-401-021-005-002



Spring  
MPL-401-021-005-004