

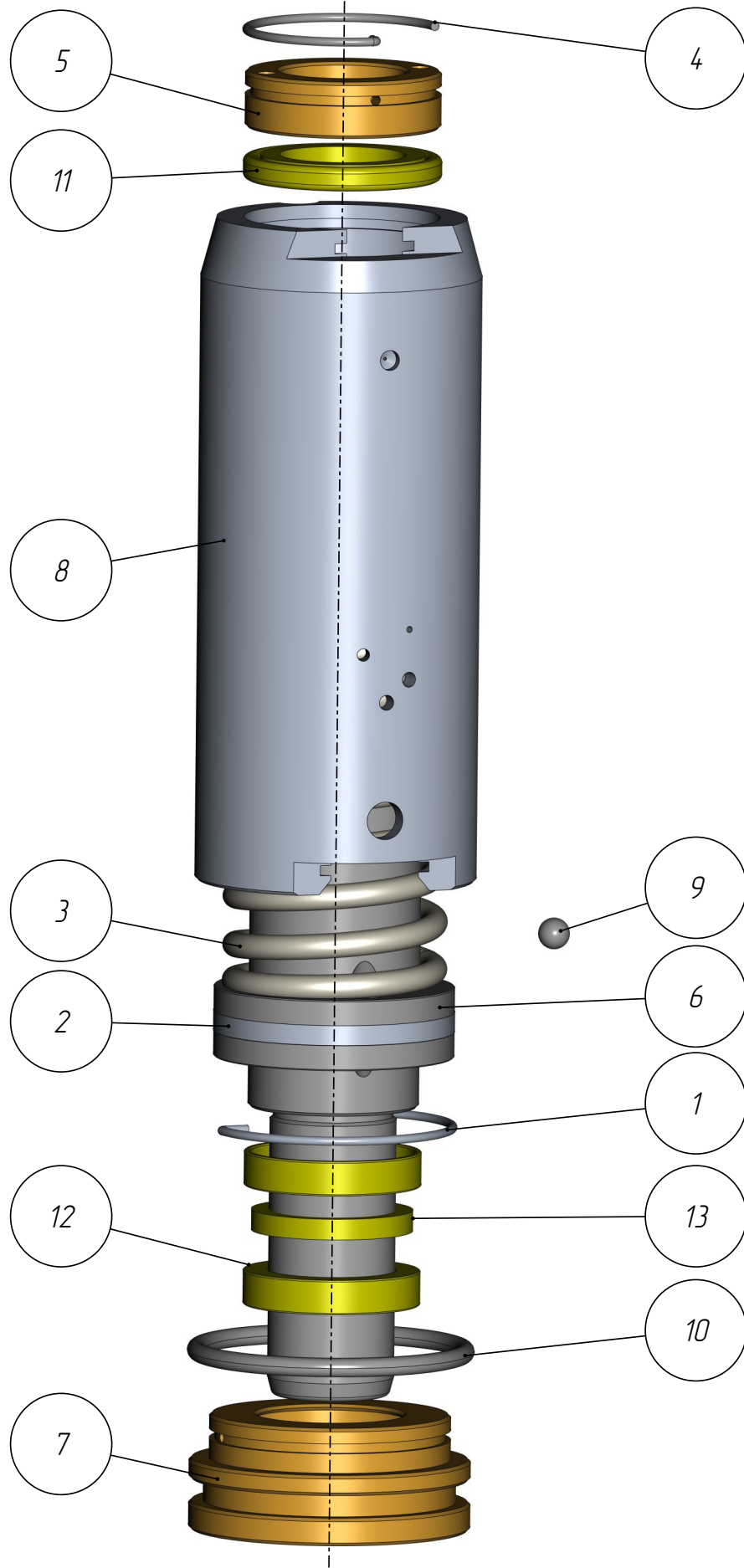
*401*

*D-401-009*

*Damper  
(A259-89501\_M)*

Damper  
(A259-89501\_M)  
D-401-009

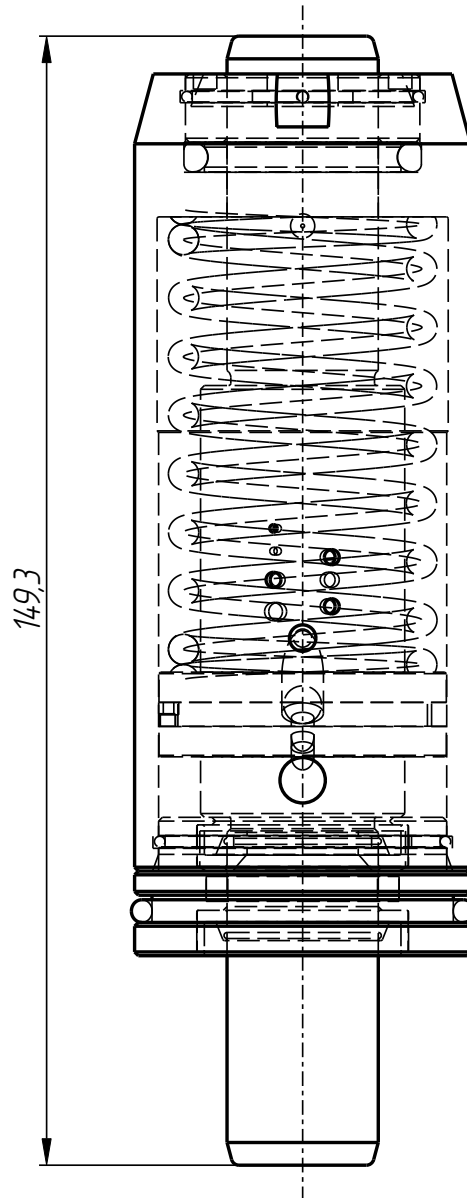
401



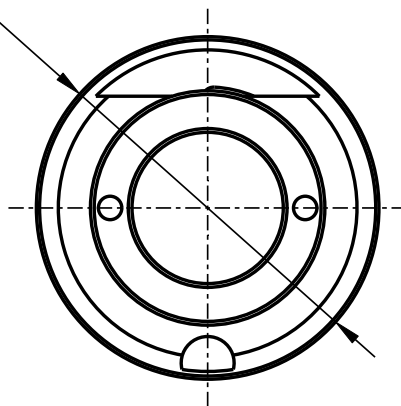
D-401-009

Damper  
(A259-89501\_M)  
D-401-009

401



$\phi 45,3$



D-401-009

*Damper  
(A259-89501\_M)  
D-401-009*

401

## *D-401-009*

*Damper  
(A259-89501\_M)*

### *Specification*

<i>Nº pos.</i>	<i>Code</i>	<i>Name</i>	<i>Qty</i>
----------------	-------------	-------------	------------

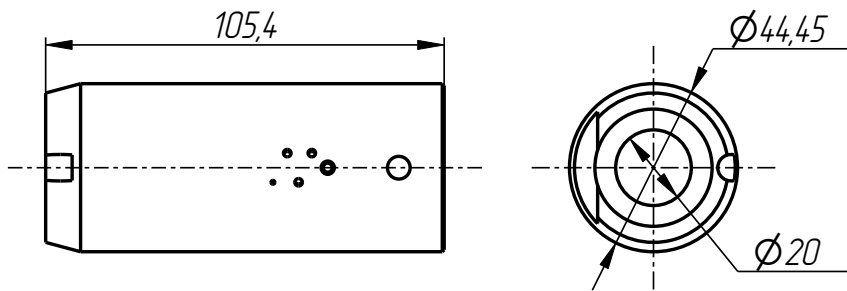
#### *Parts:*

1	D-401-002-004	Ring	1
2	D-401-002-007	Piston ring	1
3	D-401-002-008	Spring	1
4	D-401-003-003	Ring	1
5	D-401-006-003	Bushing	1
6	D-401-006-004	Stock	1
7	D-401-007-001	Bushing	1
8	D-401-008-001	Cylinder	1

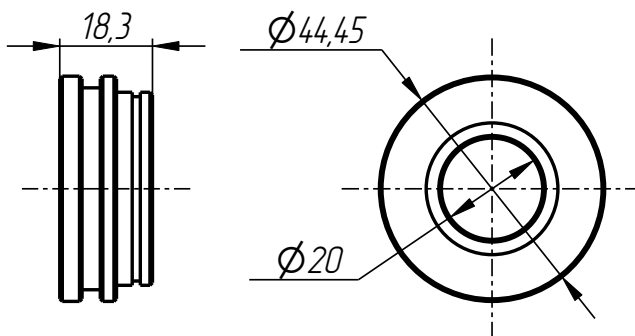
#### *Standard parts:*

9	Ball D 5 ГОСТ 3722-81		1
10	Ring 364237		1
11	Sealing 2030.54		1
12	Sealing 20285.5		2
13	Sealing 19.825.53.3		1

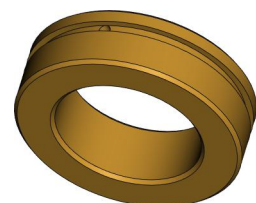
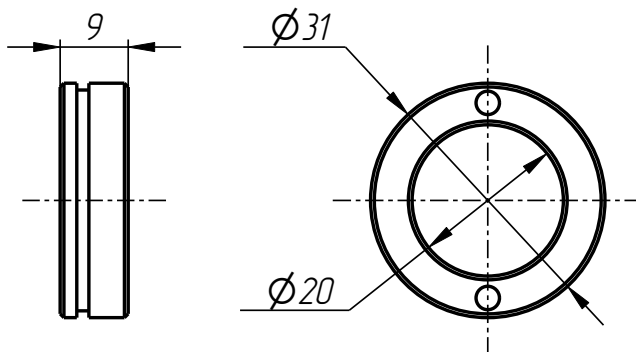
D-401-009



Cylinder  
D-401-008-001



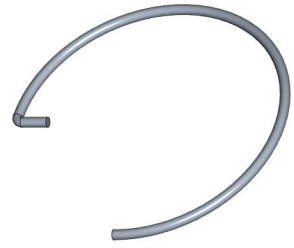
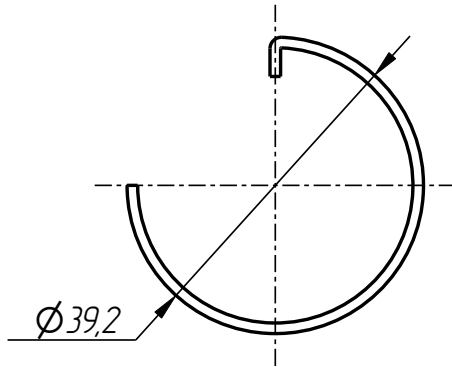
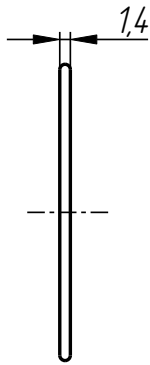
Bushing  
D-401-007-001



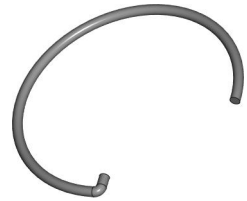
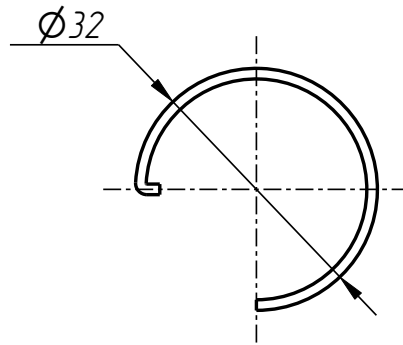
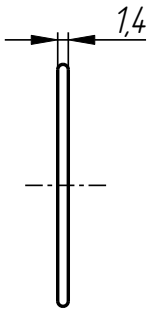
Bushing  
D-401-006-003

Damper  
(A259-89501\_M)  
D-401-009

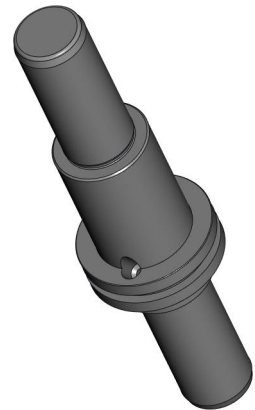
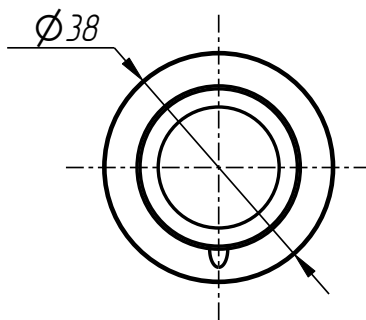
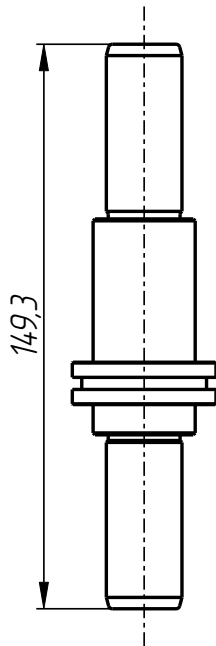
401



Ring  
D-401-002-004

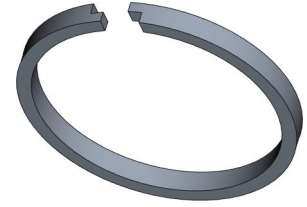
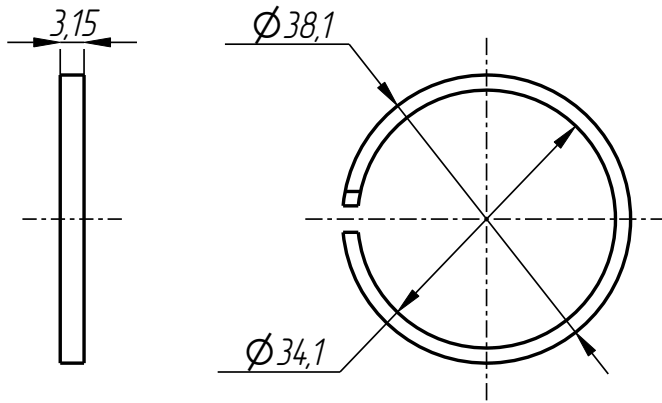


Ring  
D-401-003-003

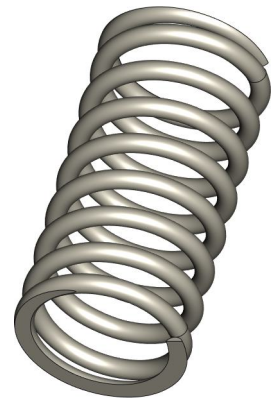
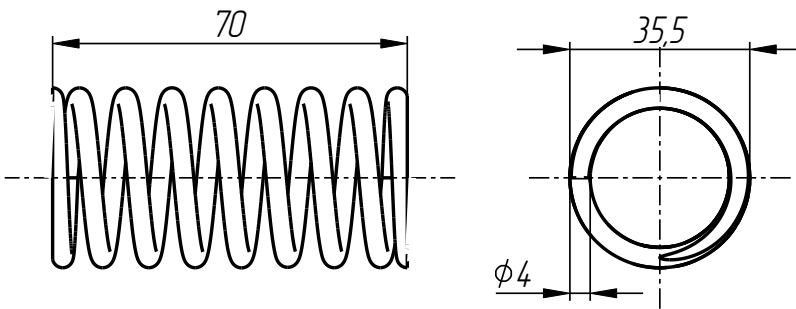


Stack  
D-401-006-004

D-401-009



Piston ring  
D-401-002-007



Spring  
D-401-002-008