

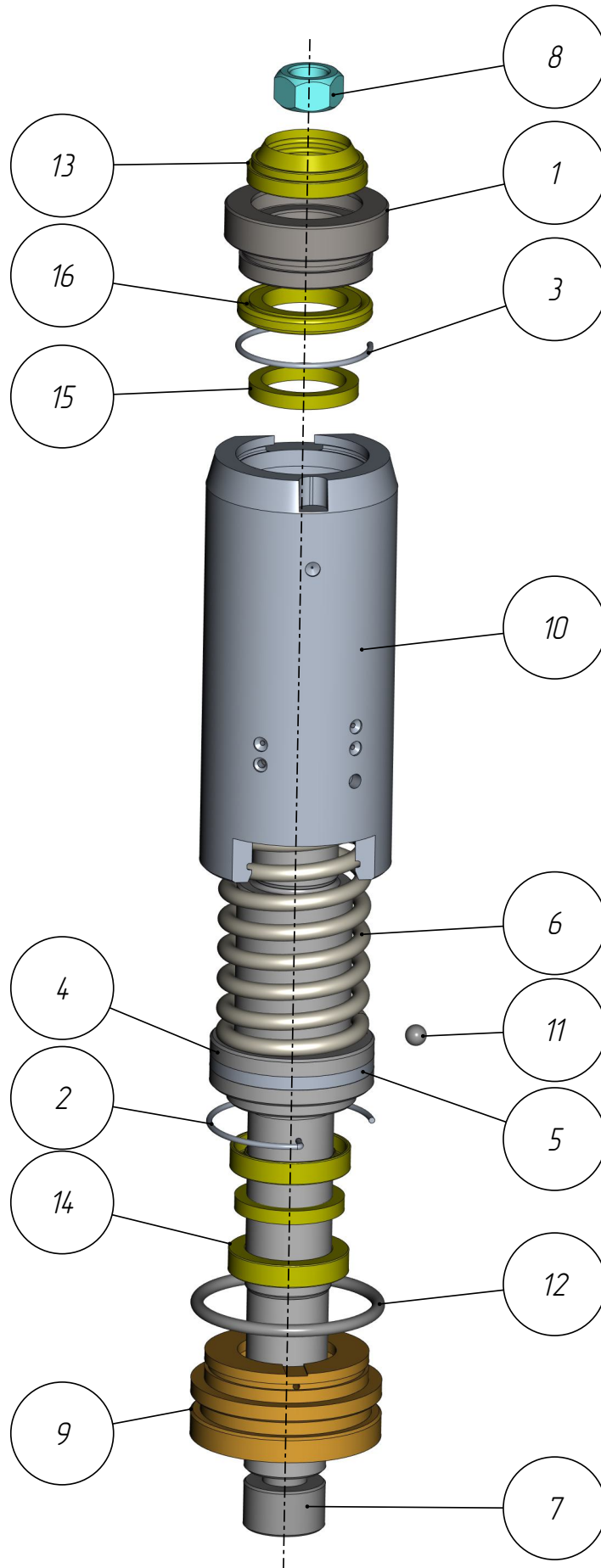
401

D-401-005

*Damper
(A391-23102M)*

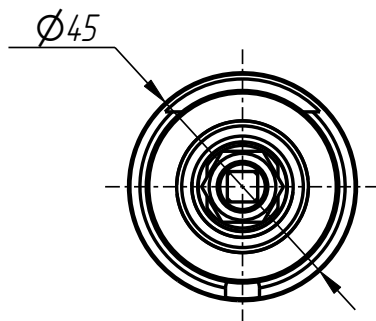
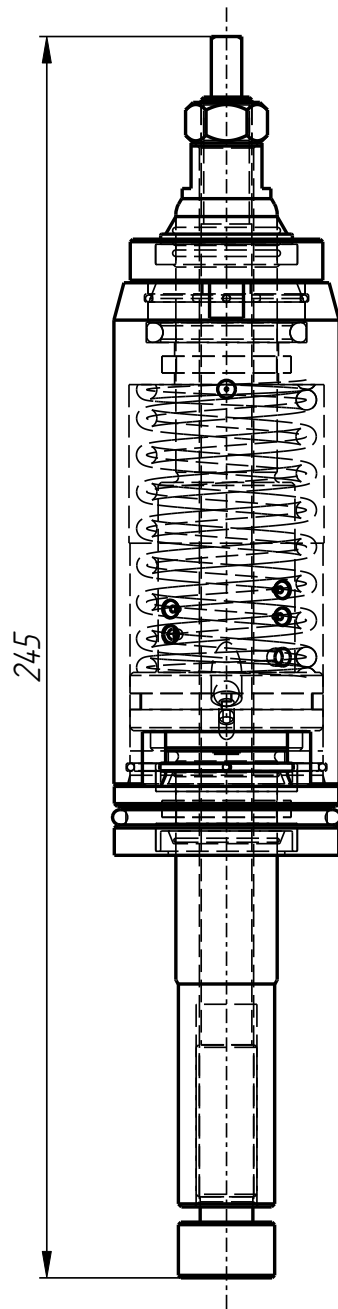
Damper
(A391-23102M)
D-401-005

401



Damper
(A391-23102M)
D-401-005

401



D-401-005

*Damper
(A391-23102M)
D-401-005*

401

D-401-005

*Damper
(A391-23102M)*

Specification

<i>Nº pos.</i>	<i>Code</i>	<i>Name</i>	<i>Qty</i>
----------------	-------------	-------------	------------

Parts:

1	D-401-002-003	Bushing	1
2	D-401-002-004	Ring	1
3	D-401-002-005	Ring	1
4	D-401-002-006	Piston	1
5	D-401-002-007	Piston ring	1
6	D-401-002-008	Spring	1
7	D-401-002-009	Emphasis	1
8	D-401-002-010	Special nut	1
9	D-401-004-001	Bushing	1
10	D-401-005-001	Cylinder	1

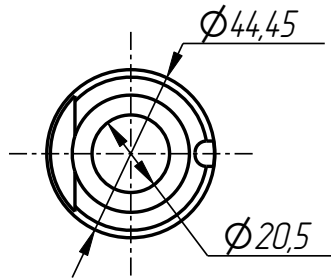
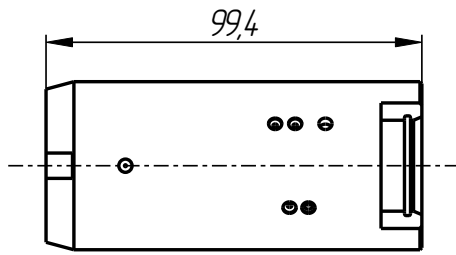
Standard parts:

11	Ball D 5 ГОСТ 3722-81		1
12	O-393		1
13	Sealing 20284.5		1
14	Sealing 20285.5		2
15	Sealing 19.825.53.3		2
16	Sealing 2030.74.2		1

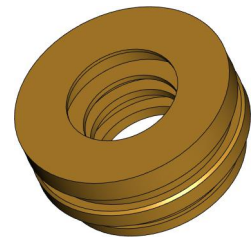
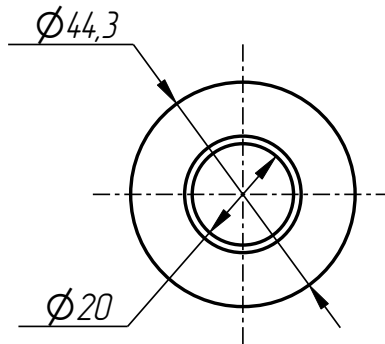
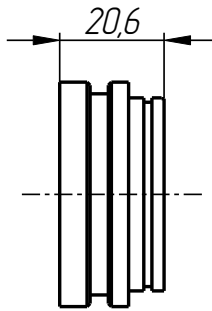
D-401-005

Damper
(A391-23102M)
D-401-005

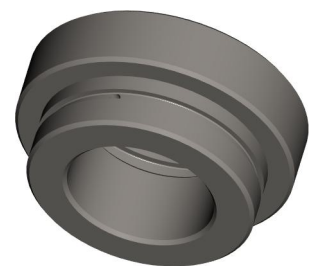
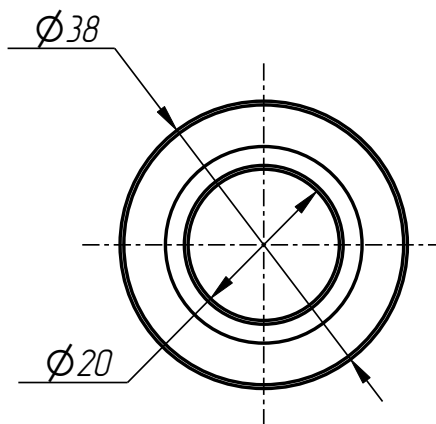
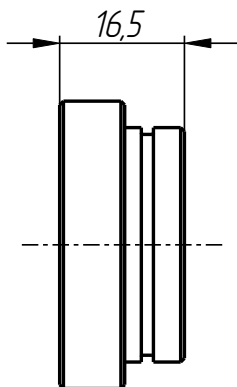
401



Cylinder
D-401-005-001



Bushing
D-401-004-001

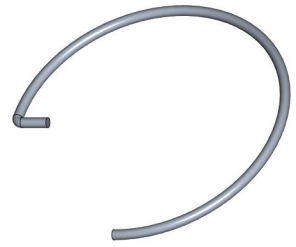
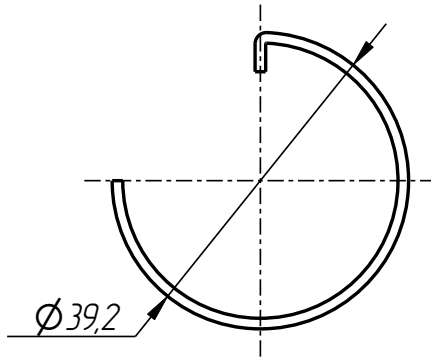
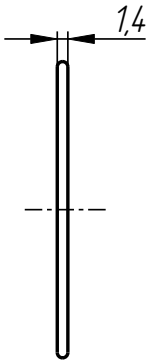


Bushing
D-401-002-003

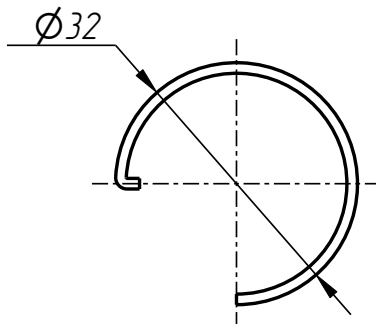
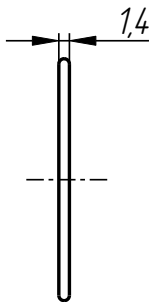
D-401-005

Damper
(A391-23102M)
D-401-005

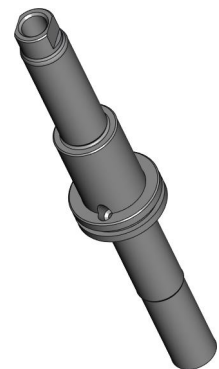
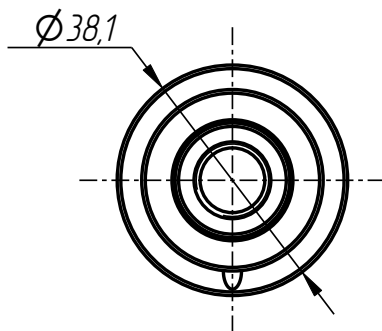
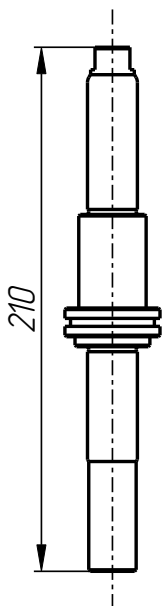
401



Ring
D-401-002-004



Ring
D-401-002-005

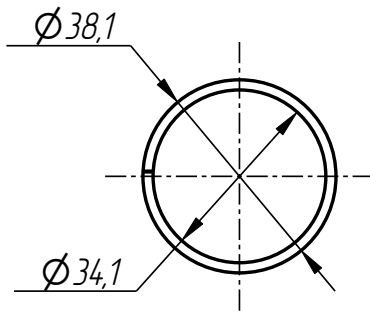
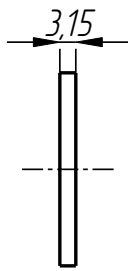


Piston
D-401-002-006

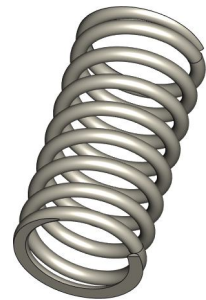
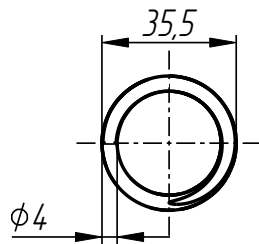
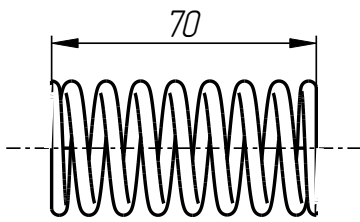
D-401-005

Damper
(A391-23102M)
D-401-005

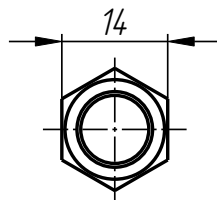
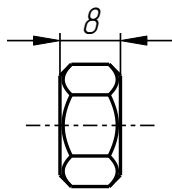
401



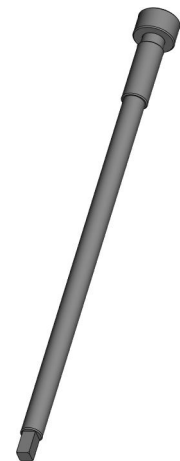
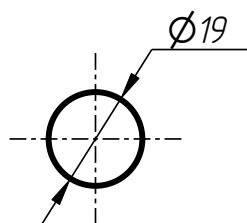
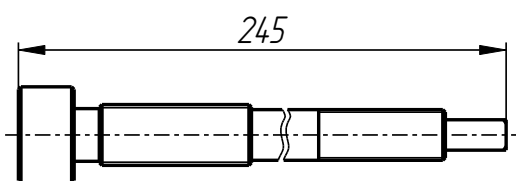
Piston ring
D-401-002-007



Spring
D-401-002-008



Special nut
D-401-002-010



Emphasis
D-401-002-009