

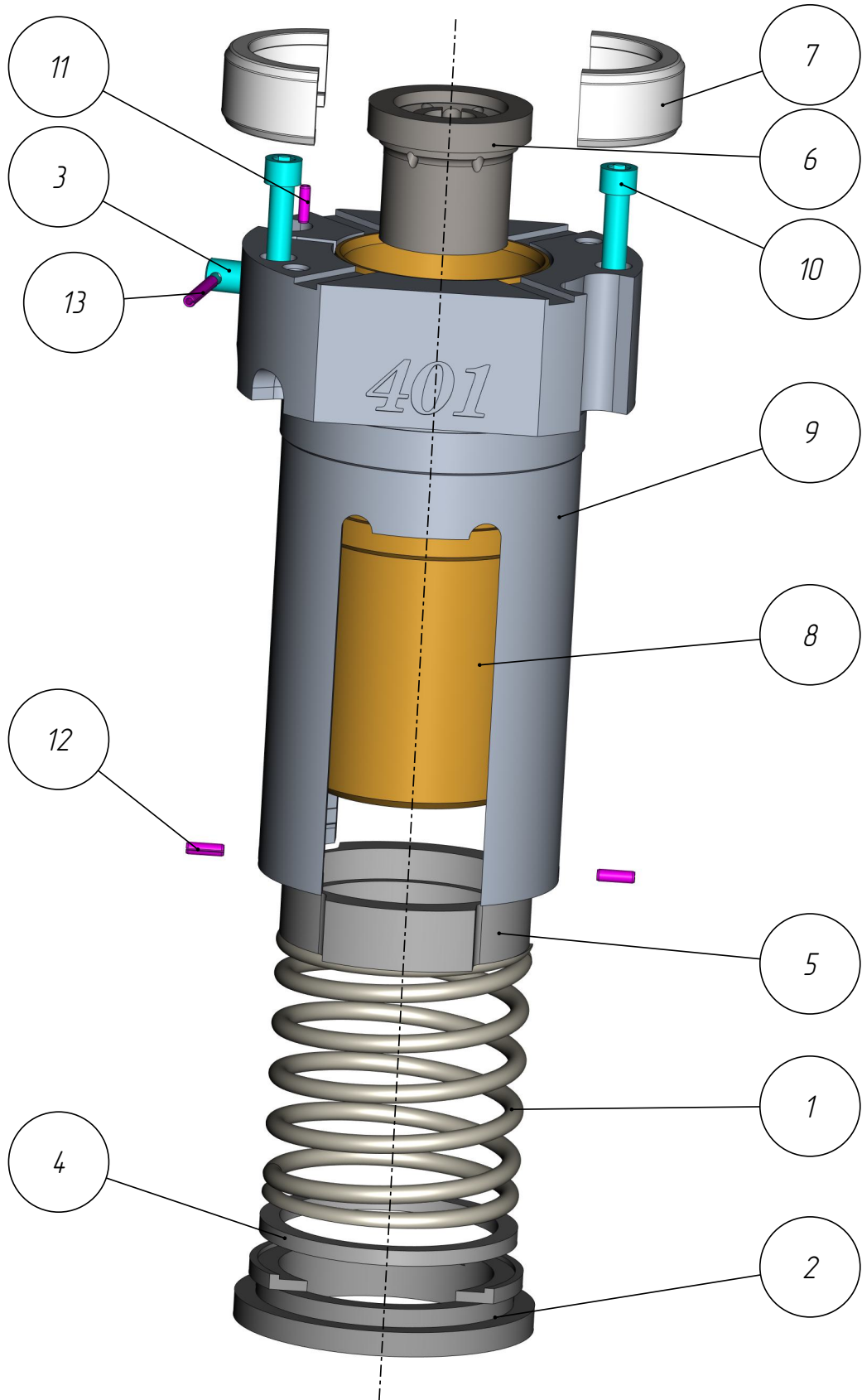
401

PPL-401-067

*Cartridge /
Plunger Positioner 70
(MRN-401-70_001_al_ss-vs)*

Cartridge /
Plunger Positioner 70
(MRN-401-70_001_al_ss-vs)
PPL-401-067

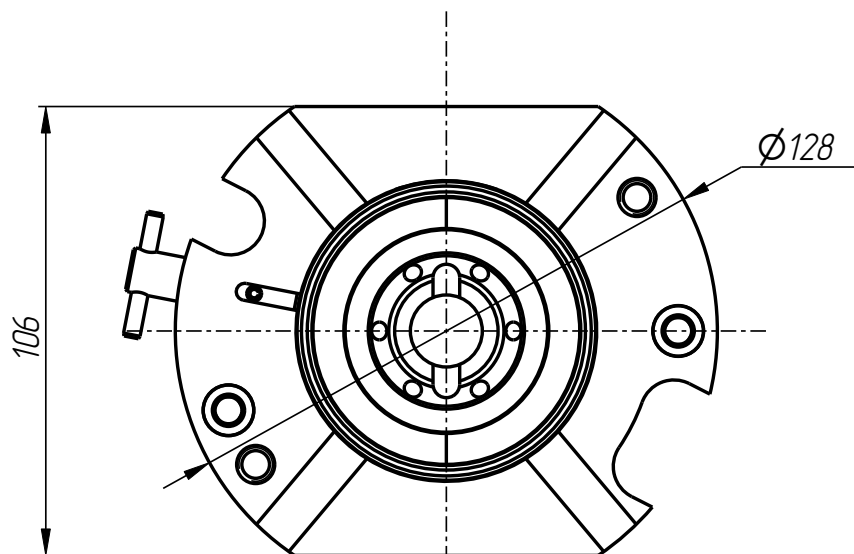
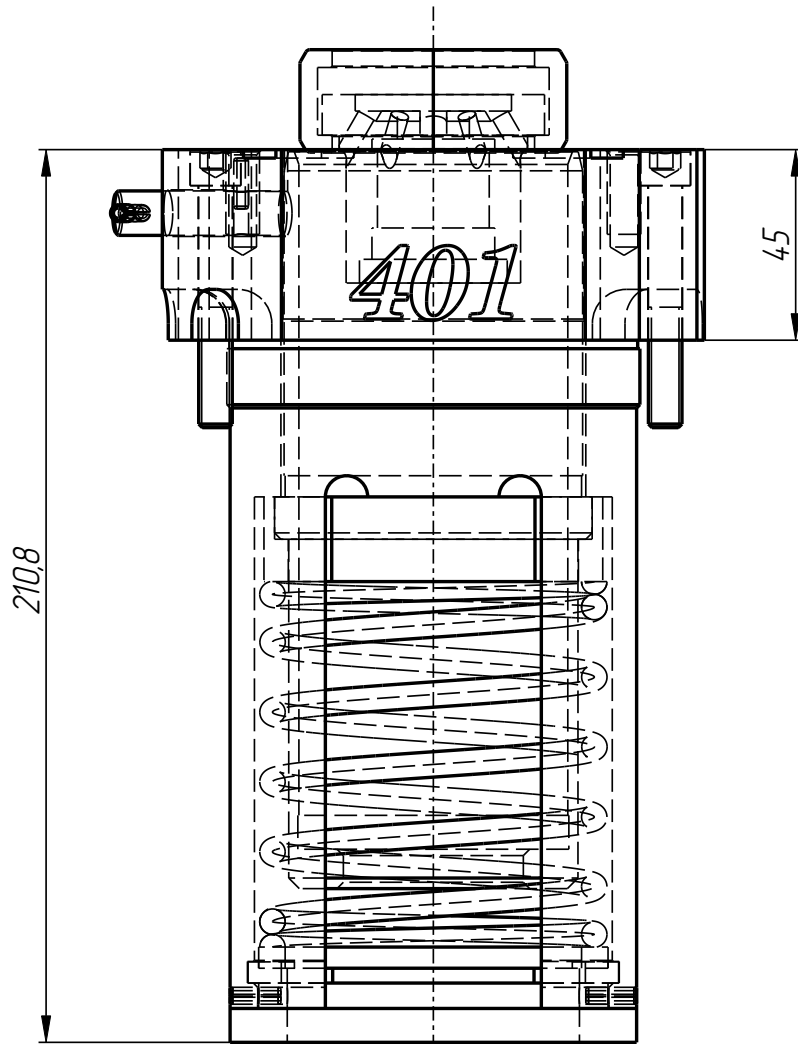
401



PPL-401-067

Cartridge /
Plunger Positioner 70
(MRN-401-70_001_al_ss-vs)
PPL-401-067

401



PPL-401-067

Cartridge /
Plunger Positioner 70
(MRN-401-70_001_al_ss-vs)
PPL-401-067

401

PPL-401-067
Cartridge /
Plunger Positioner 70
(MRN-401-70_001_al_ss-vs)
Specification

<i>N° pos.</i>	<i>Code</i>	<i>Name</i>	<i>Qty</i>
----------------	-------------	-------------	------------

Parts:

1	PPL-401-006-003	Spring	1
2	PPL-401-006-004	Spring retainer	1
3	PPL-401-006-006	Plug	1
4	PPL-401-006-007	supporting ring	1
5	PPL-401-030-003	Seat	1
6	PPL-401-030-004	Adapter	1
7	PPL-401-030-005	Split ring	2
8	PPL-401-066-001	Bushing	1
9	PPL-401-067-001	Main body	1

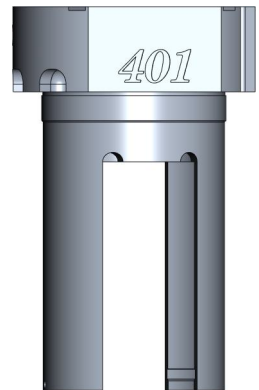
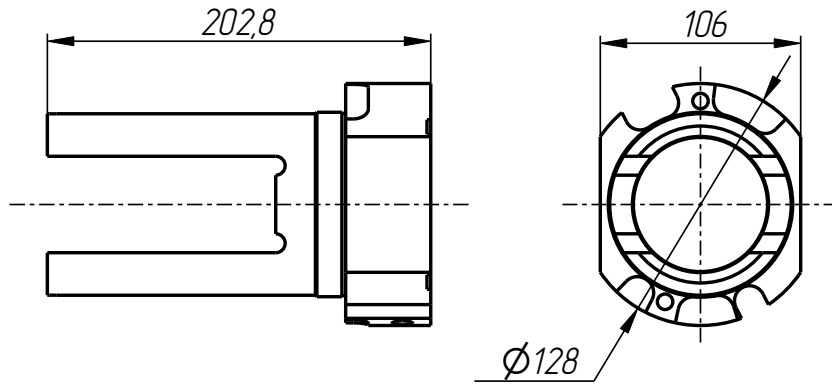
Standard parts:

10	Screw UNC5/16"-18x2 1/4" DIN 912	2
11	Spring pin ϕ 3,5x12 DIN 1481	1
12	Spring pin ϕ 4x12 DIN 1481	2
13	Spring pin ϕ 4x30 DIN 1481	1

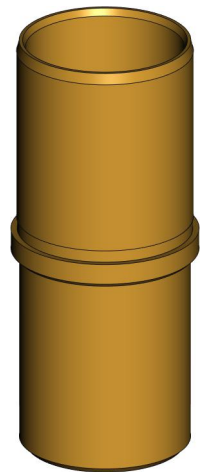
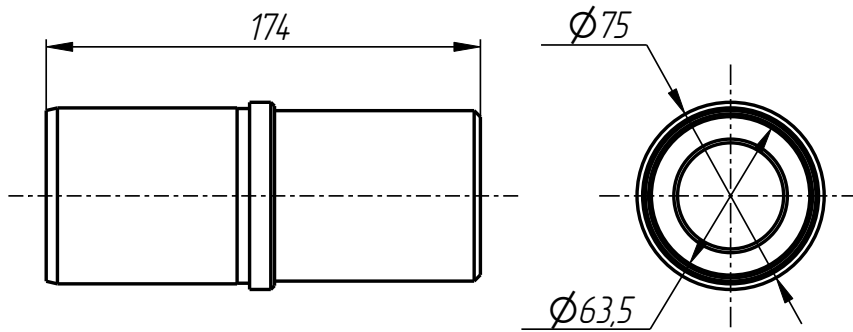
PPL-401-067

Cartridge /
Plunger Positioner 70
(MRN-401-70_001_al_ss-vs)
PPL-401-067

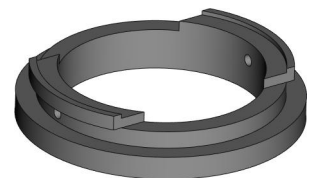
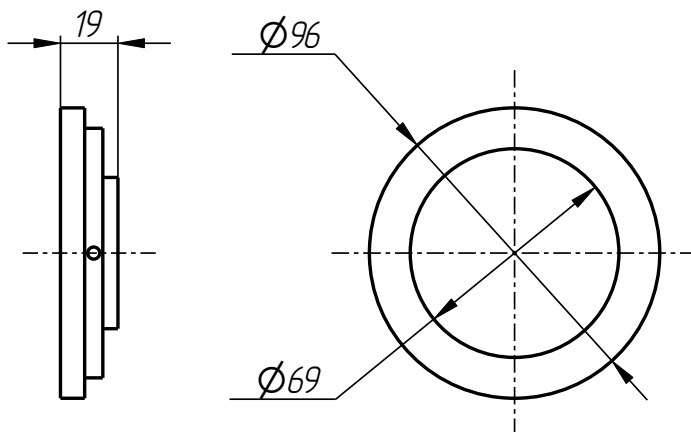
401



Main body
PPL-401-067-001



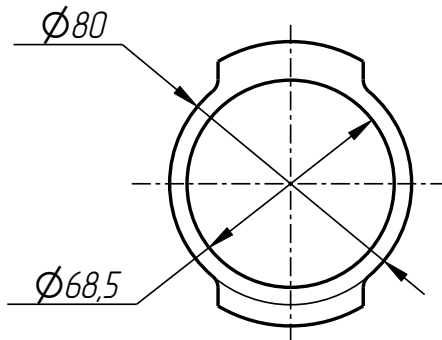
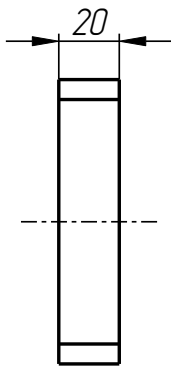
Bushing
PPL-401-066-001



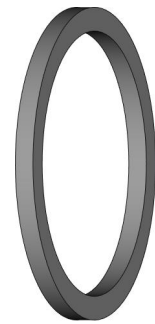
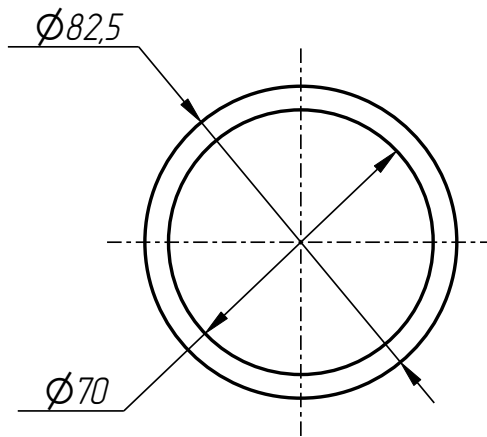
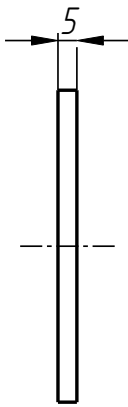
Spring retainer
PPL-401-006-004

Cartridge /
Plunger Positioner 70
(MRN-401-70_001_al_ss-vs)
PPL-401-067

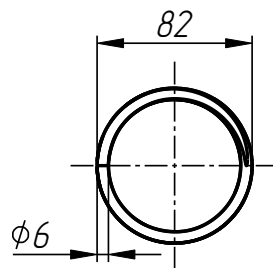
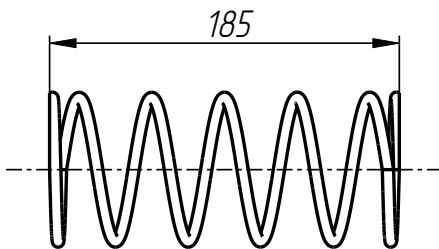
401



Seat
PPL-401-030-003



supporting ring
PPL-401-006-007

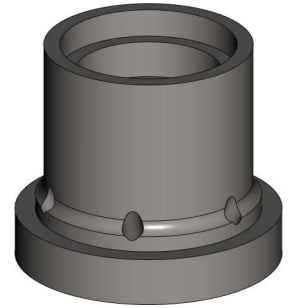
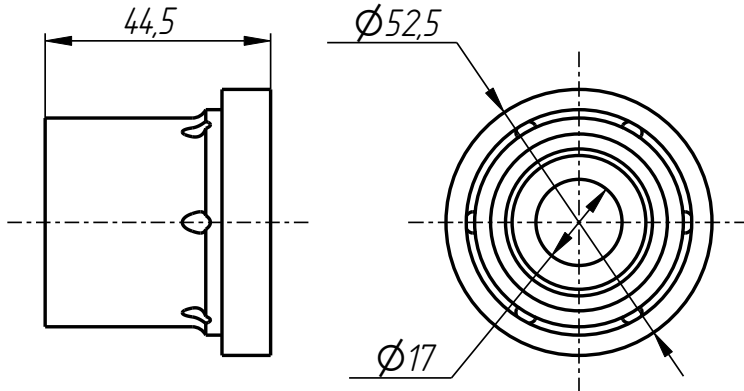


Spring
PPL-401-006-003

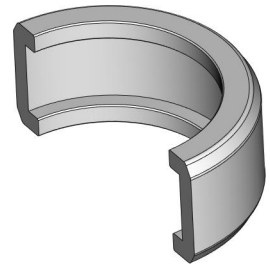
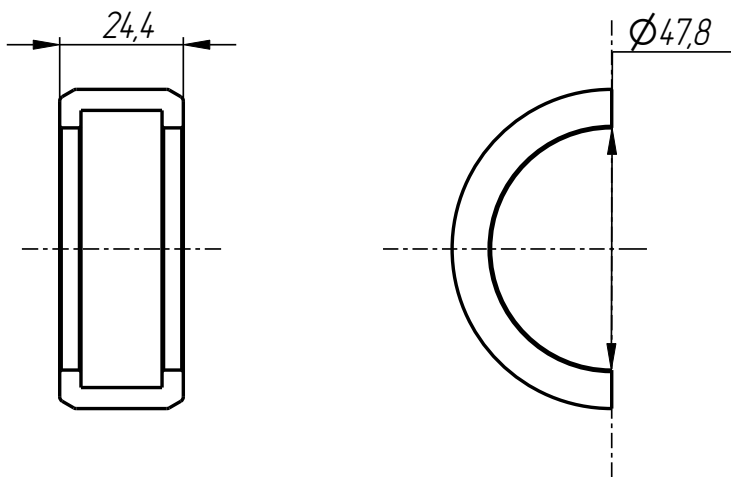
PPL-401-067

Cartridge /
Plunger Positioner 70
(MRN-401-70_001_al_ss-vs)
PPL-401-067

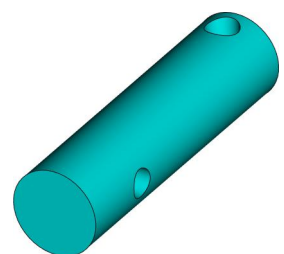
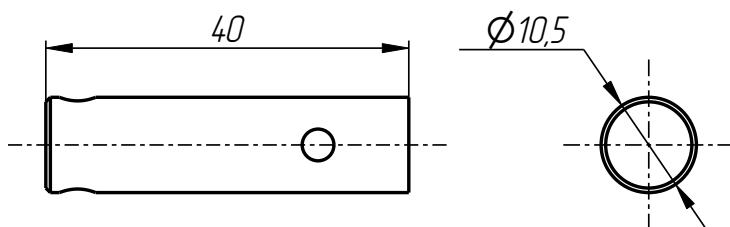
401



Adapter
PPL-401-030-004



Split ring
PPL-401-030-005



Plug
PPL-401-006-006

PPL-401-067