

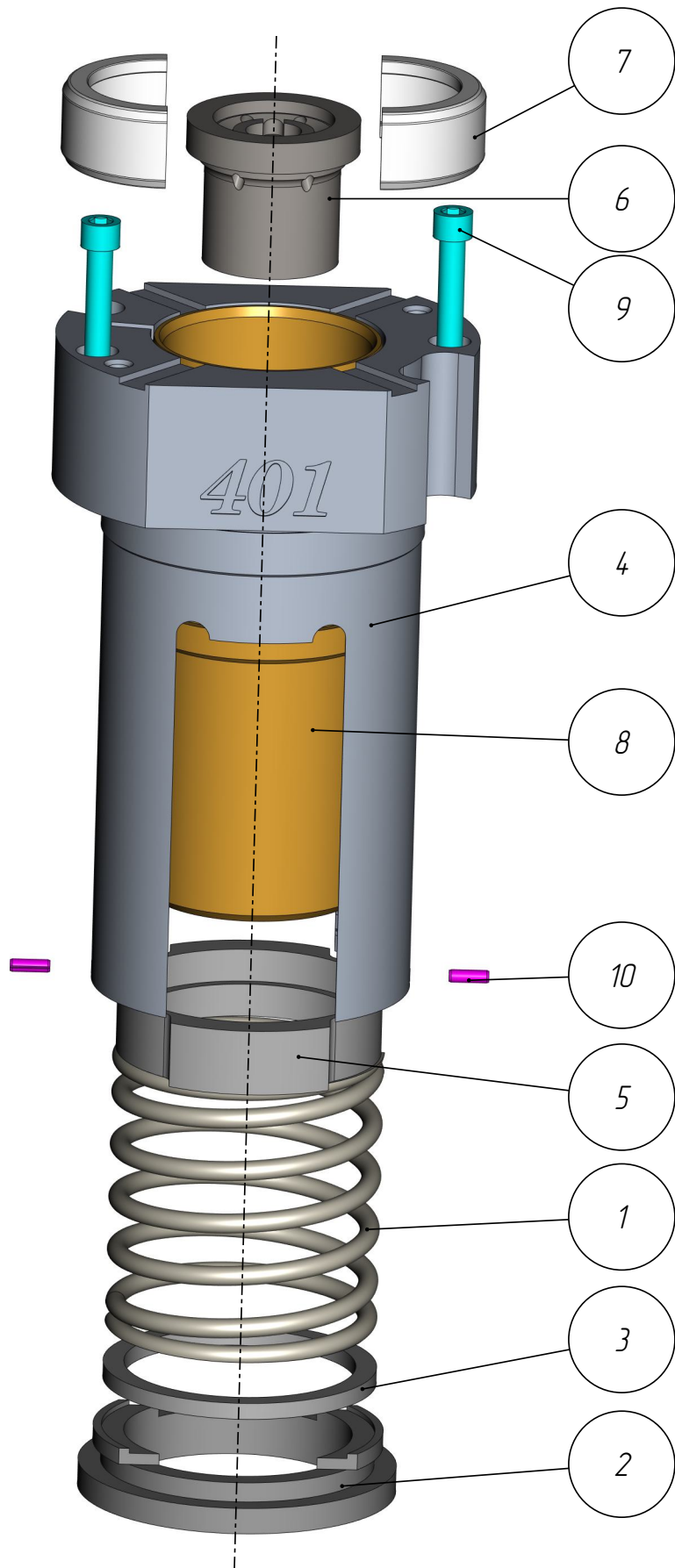
*401*

*PPI-401-066*

*Cartridge /  
Plunger Positioner 70  
(MRN-401-70\_001\_al\_ss)*

Cartridge /  
Plunger Positioner 70  
(MRN-401-70\_001\_at\_ss)  
PPL-401-066

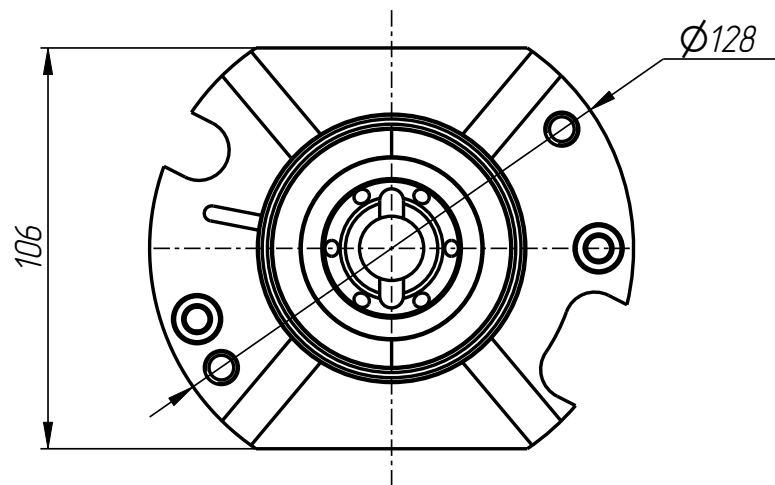
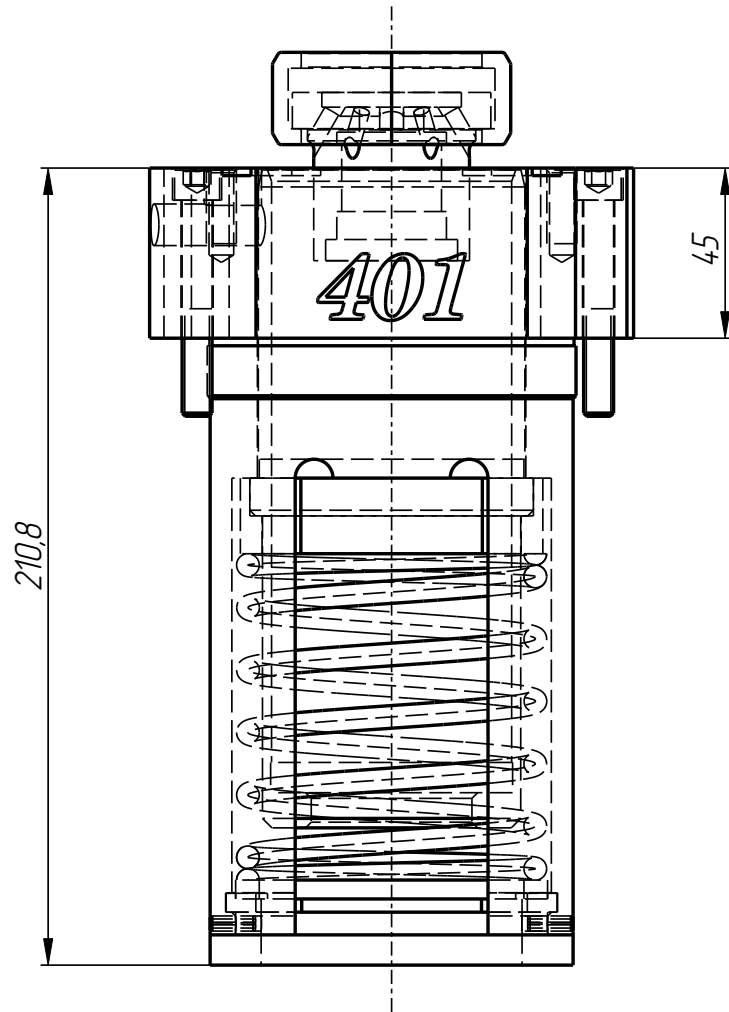
401



PPL-401-066

Cartridge /  
Plunger Positioner 70  
(MRN-401-70\_001\_at\_ss)  
PPI-401-066

401



PPI-401-066

Cartridge /  
Plunger Positioner 70  
(MRN-401-70\_001\_al\_ss)  
PPl-401-066

401

**PPl-401-066**  
Cartridge /  
Plunger Positioner 70  
(MRN-401-70\_001\_al\_ss)  
Specification

N° pos.	Code	Name	Qty
---------	------	------	-----

Parts:

1	PPl-401-006-003	Spring	1
2	PPl-401-006-004	Spring retainer	1
3	PPl-401-006-007	supporting ring	1
4	PPl-401-030-001	Main body	1
5	PPl-401-030-003	Seat	1
6	PPl-401-030-004	Adapter	1
7	PPl-401-030-005	Split ring	2
8	PPl-401-066-001	Bushing	1

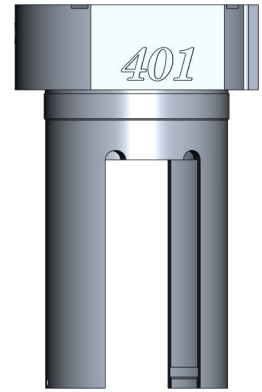
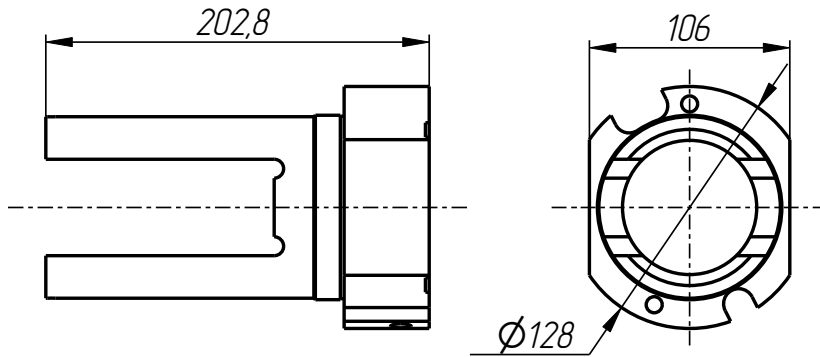
Standard parts:

9	Screw UNC5/16"-18x2 1/4" DIN 912	2
10	Spring pin $\phi$ 4x12 DIN 1481	2

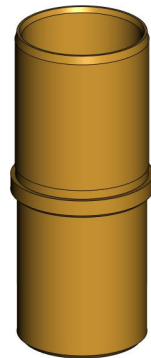
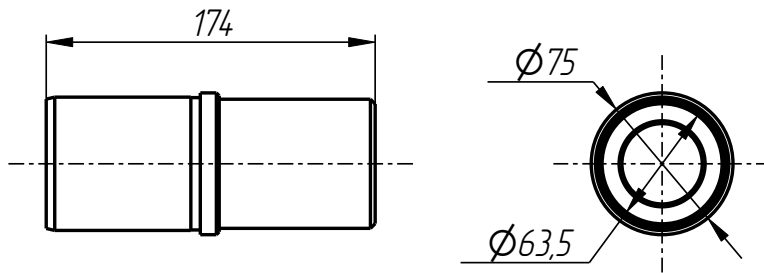
PPl-401-066

Cartridge /  
Plunger Positioner 70  
(MRN-401-70\_001\_at\_ss)  
PPl-401-066

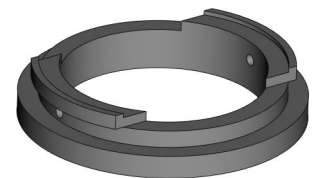
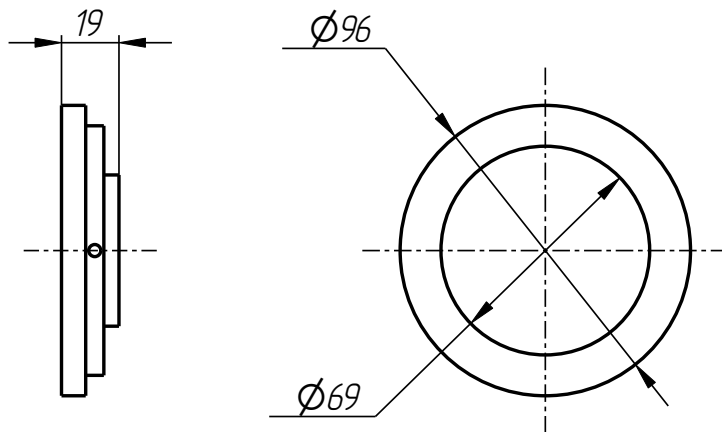
401



Main body  
PPl-401-030-001



Bushing  
PPl-401-066-001

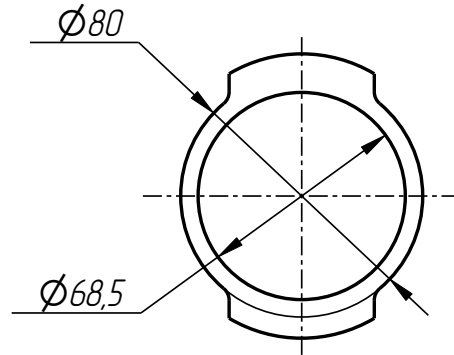
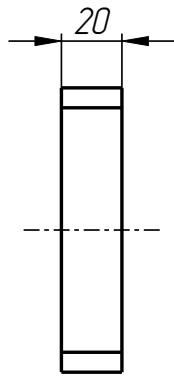


Spring retainer  
PPl-401-006-004

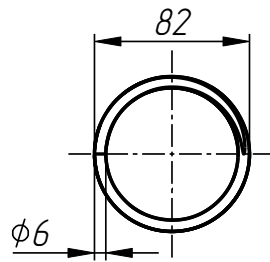
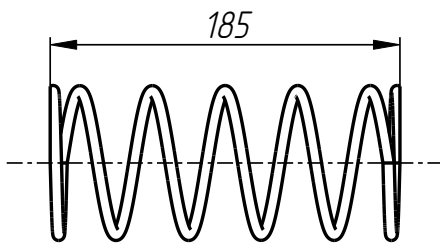
PPl-401-066

Cartridge /  
Plunger Positioner 70  
(MRN-401-70\_001\_at\_ss)  
PPL-401-066

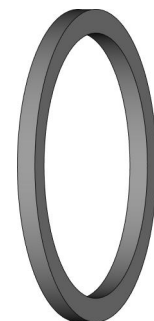
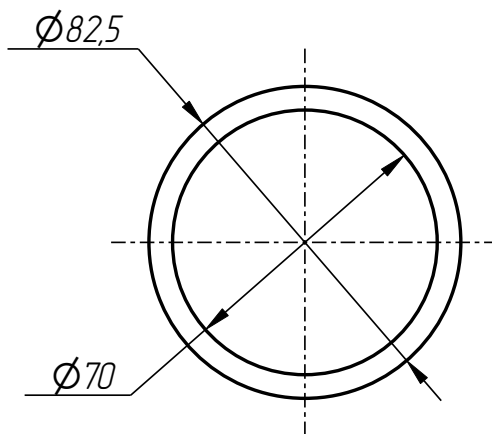
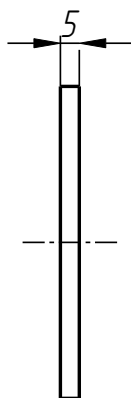
401



Seat  
PPL-401-030-003



Spring  
PPL-401-006-003

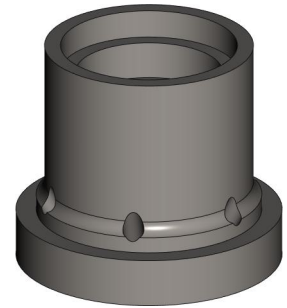
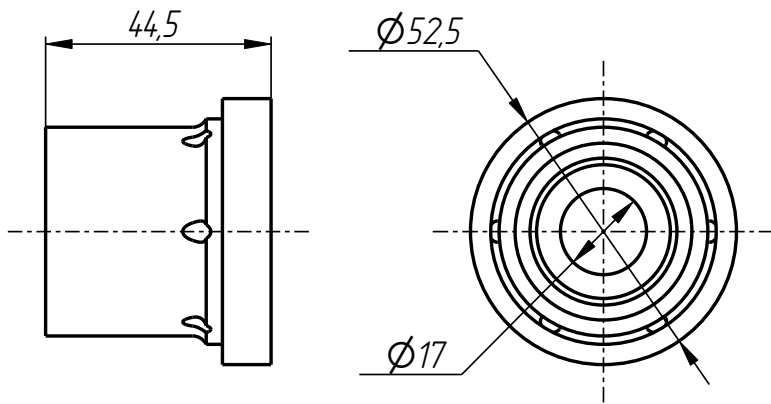


supporting ring  
PPL-401-006-007

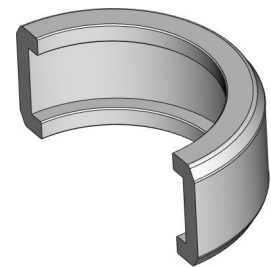
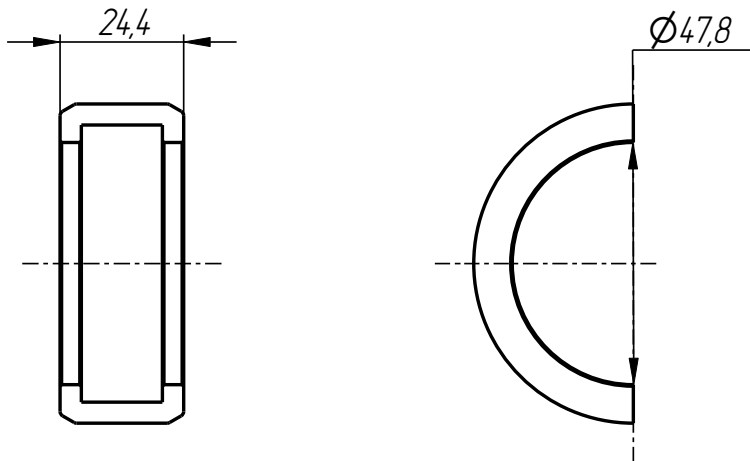
PPL-401-066

Cartridge /  
Plunger Positioner 70  
(MRN-401-70\_001\_at\_ss)  
PPl-401-066

401



Adapter  
PPl-401-030-004



Split ring  
PPl-401-030-005

PPl-401-066