

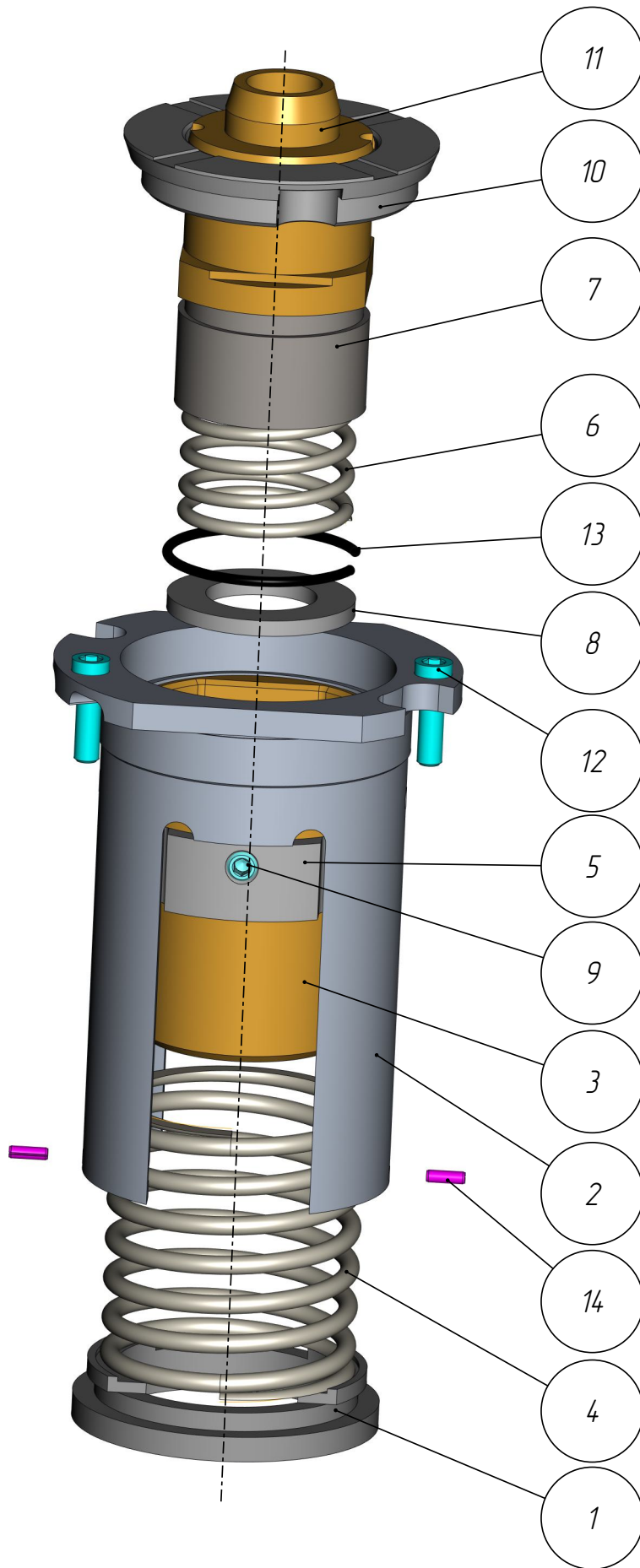
401

PPL-401-065

*Cartridge /
Plunger Positioner
(GPSM-MRN-401-70_010_00bb-vs)*

Cartridge /
Plunger Positioner
(GPSM-MRN-401-70_010_00bb-vs)
PPL-401-065

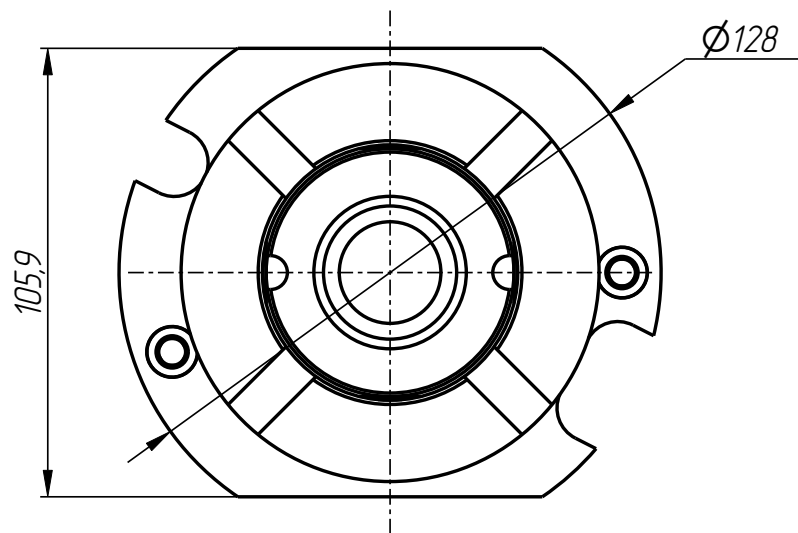
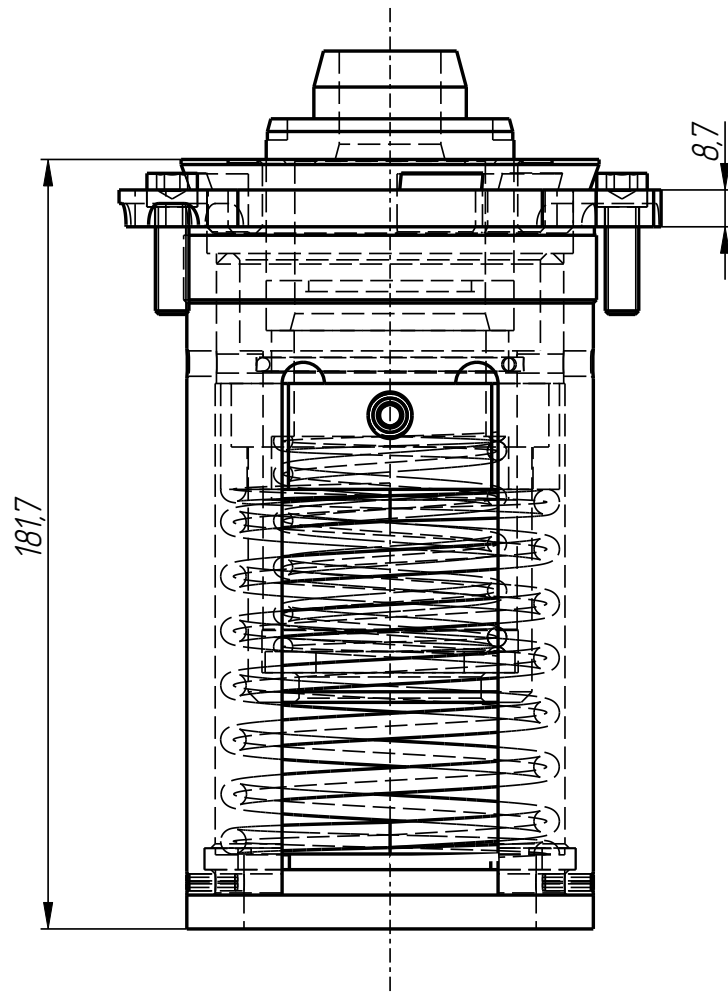
401



PPL-401-065

Cartridge /
Plunger Positioner
(GPSM-MRN-401-70_010_00bb-vs)
PPL-401-065

401



PPL-401-065

Cartridge /
Plunger Positioner
(GPSM-MRN-401-70_010_00bb-vs)
PPL-401-065

401

PPL-401-065
Cartridge /
Plunger Positioner
(GPSM-MRN-401-70_010_00bb-vs)
Specification

Nº pos. Code Name Qty

Parts:

1	PPL-401-006-004	Spring retainer	1
2	PPL-401-007-001	Main body	1
3	PPL-401-007-002	Bushing	1
4	PPL-401-007-003	Spring	1
5	PPL-401-007-005	Seat	1
6	PPL-401-007-006	Spring	1
7	PPL-401-007-007	Sleeve	1
8	PPL-401-007-008	Ring	1
9	PPL-401-007-010	Screw	2
10	PPL-401-007-011	Ring	1
11	PPL-401-065-001	Bushing	1

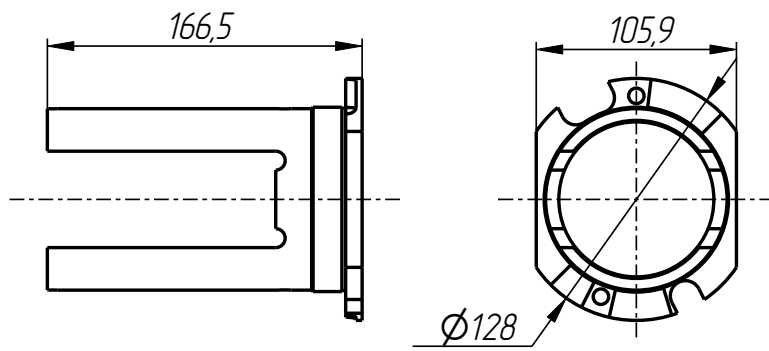
Standard parts:

12	Screw UNC5/16"-18x1" DIN 912	2
13	Sprenging B 60 DIN 7993	1
14	Spring pin ϕ 4x12 DIN 1481	2

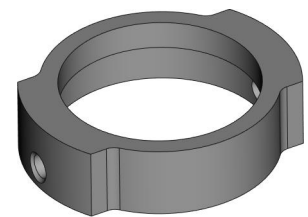
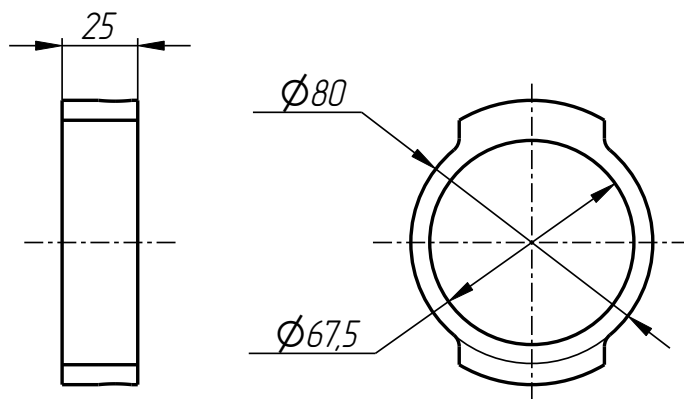
PPL-401-065

Cartridge /
Plunger Positioner
(GPSM-MRN-401-70_010_00bb-vs)
PPL-401-065

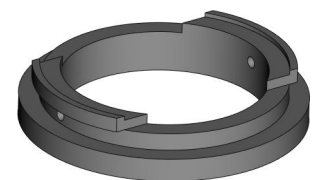
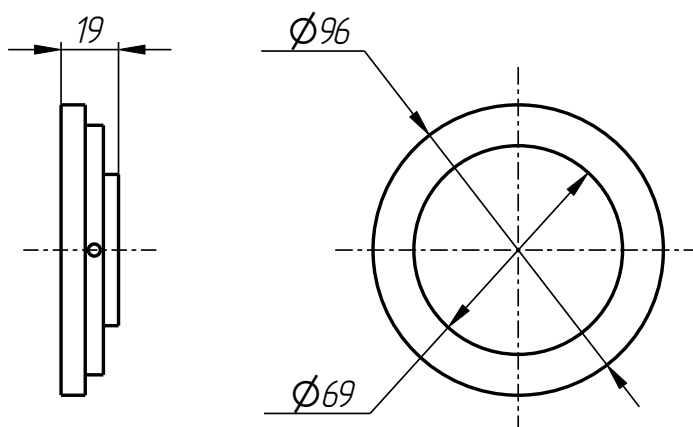
401



Main body
PPL-401-007-001



Seat
PPL-401-007-005

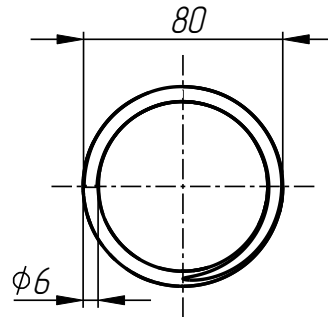
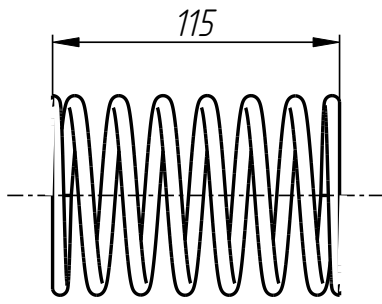


Spring retainer
PPL-401-006-004

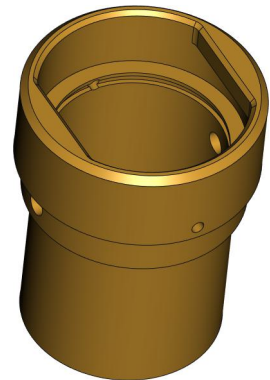
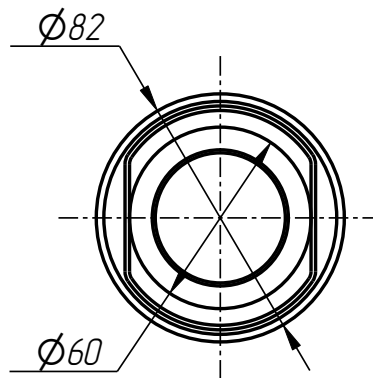
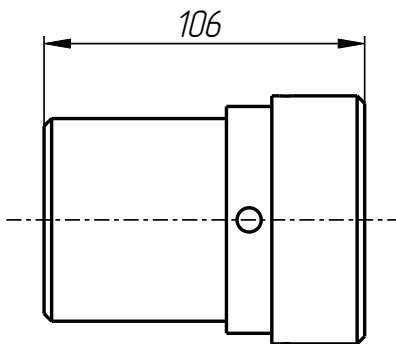
PPL-401-065

Cartridge /
Plunger Positioner
(GPSM-MRN-401-70_010_00bb-vs)
PPL-401-065

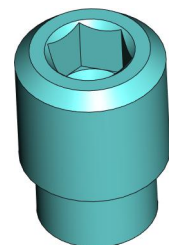
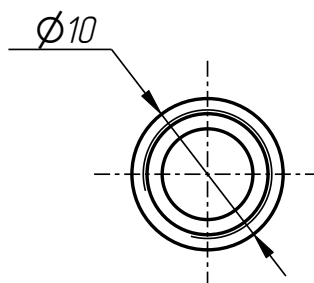
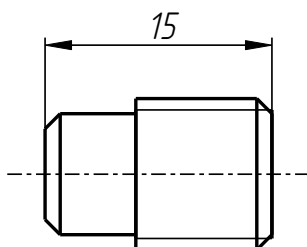
401



Spring
PPL-401-007-003



Bushing
PPL-401-007-002

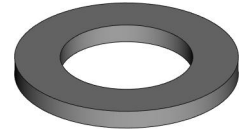
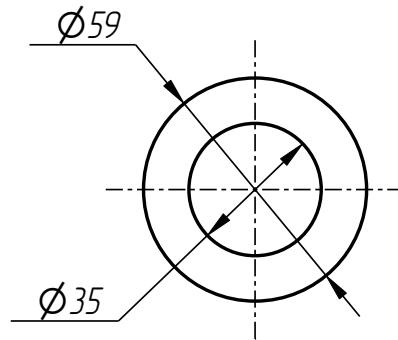
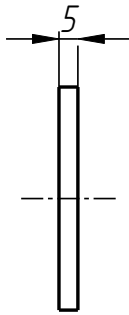


Screw
PPL-401-007-010

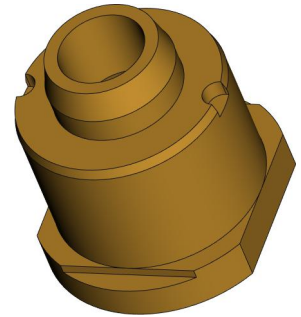
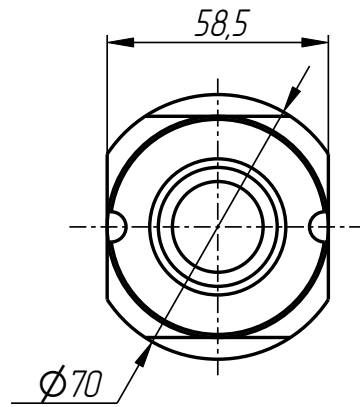
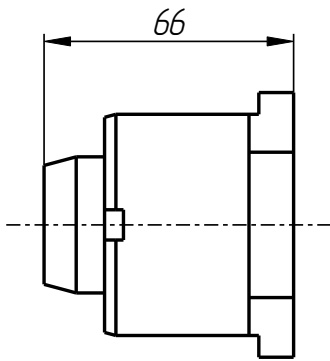
PPL-401-065

Cartridge /
Plunger Positioner
(GPSM-MRN-401-70_010_00bb-vs)
PPL-401-065

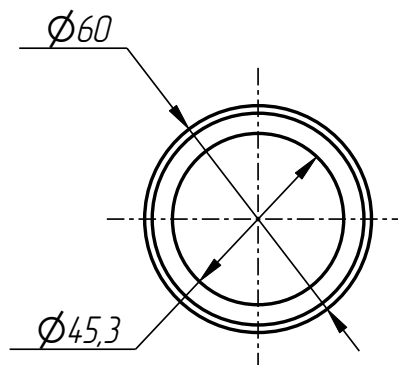
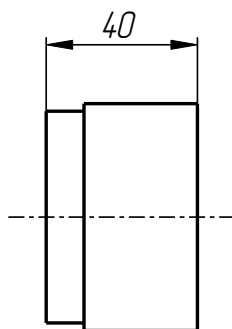
401



Ring
PPL-401-007-008



Bushing
PPL-401-065-001

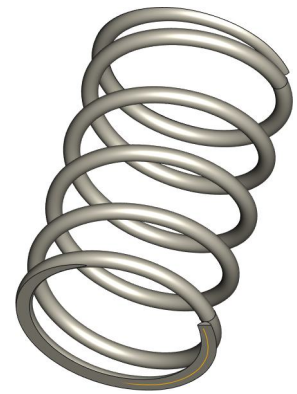
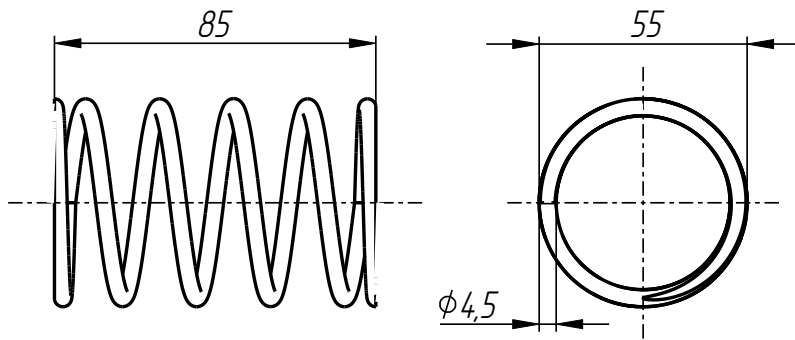


Sleeve
PPL-401-007-007

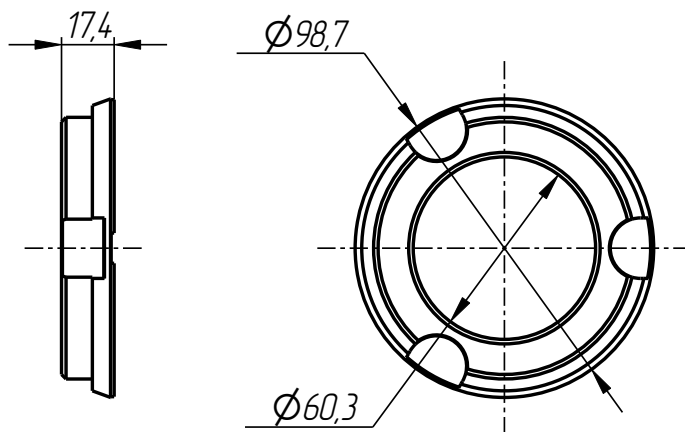
PPL-401-065

Cartridge /
Plunger Positioner
(GPSM-MRN-401-70_010_00bb-vs)
PPL-401-065

401



Spring
PPL-401-007-006



Ring
PPL-401-007-011

PPL-401-065