

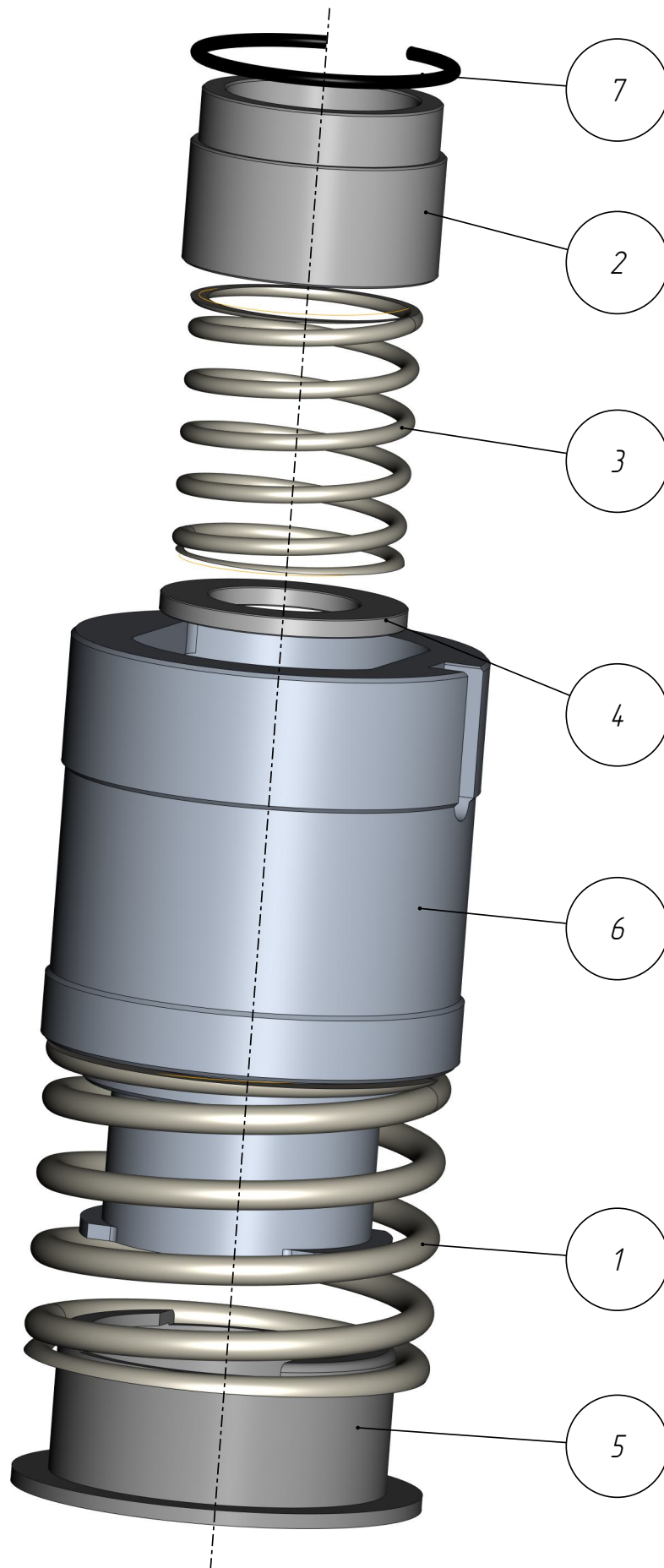
401

PPI-401-060

*Cartridge /
Plunger Positioner
(Z25-008_01F-01)*

Cartridge /
Plunger Positioner
(Z25-008_01F-01)
PPL-401-060

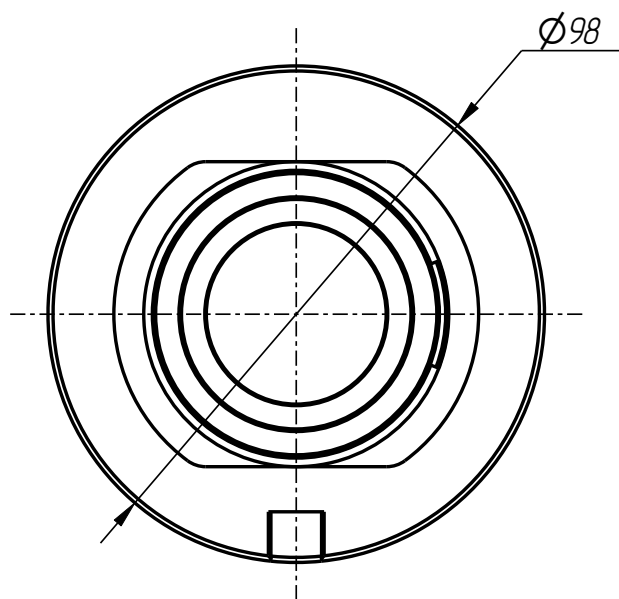
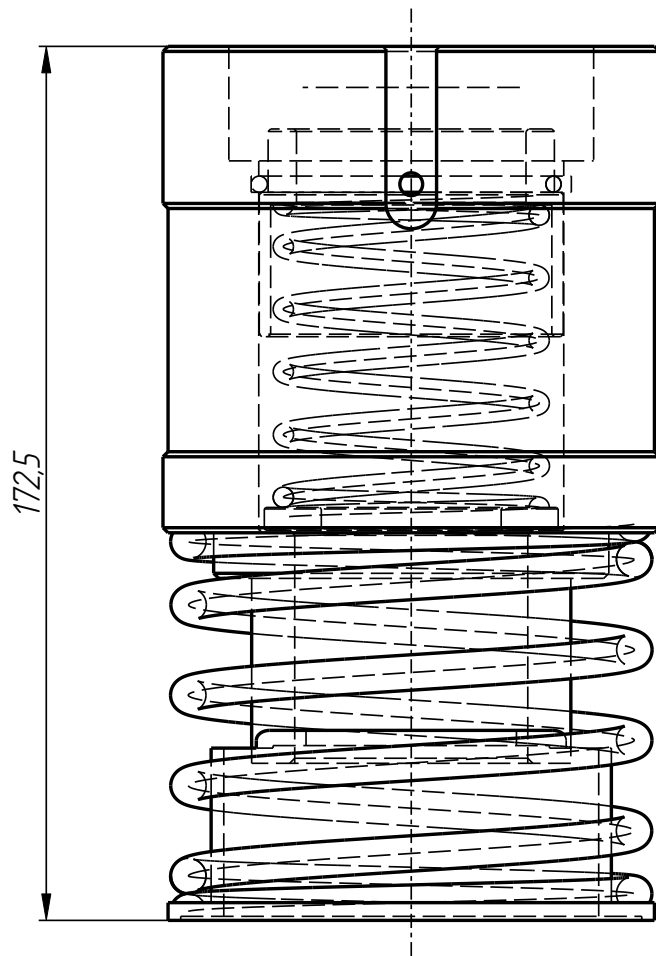
401



PPL-401-060

Cartridge /
Plunger Positioner
(Z25-008_01F-01)
PPL-401-060

401



*Cartridge /
Plunger Positioner
(Z25-008_01F-01)
PPL-401-060*

401

PPL-401-060

*Cartridge /
Plunger Positioner
(Z25-008_01F-01)*

Specification

<i>N° pos.</i>	<i>Code</i>	<i>Name</i>	<i>Qty</i>
----------------	-------------	-------------	------------

Parts:

<i>1</i>	<i>PPL-401-010-008</i>	<i>Spring</i>	<i>1</i>
<i>2</i>	<i>PPL-401-031-003-004</i>	<i>Sleeve</i>	<i>1</i>
<i>3</i>	<i>PPL-401-031-003-006</i>	<i>Spring</i>	<i>1</i>
<i>4</i>	<i>PPL-401-060-001</i>	<i>Ring</i>	<i>1</i>
<i>5</i>	<i>PPL-401-060-002</i>	<i>Spring retainer</i>	<i>1</i>
<i>6</i>	<i>PPL-401-060-003</i>	<i>Main body</i>	<i>1</i>

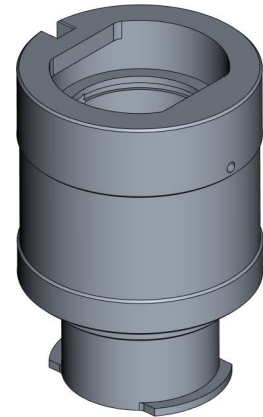
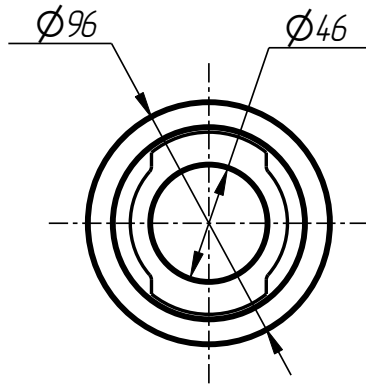
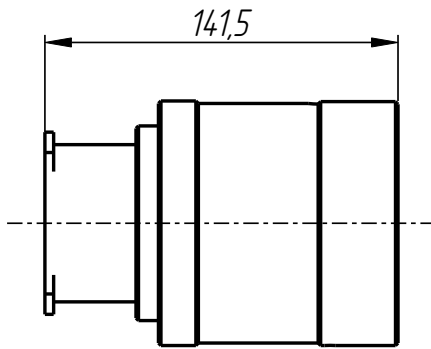
Standard parts:

<i>7</i>	<i>Sprengling B 60 DIN 7993</i>		<i>1</i>
----------	---------------------------------	--	----------

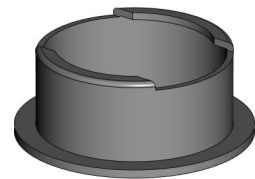
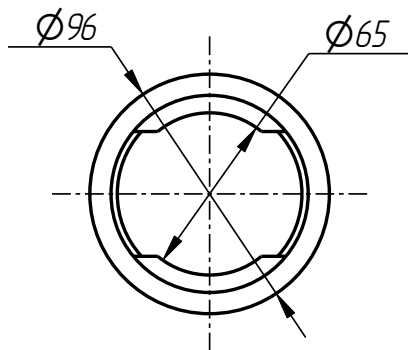
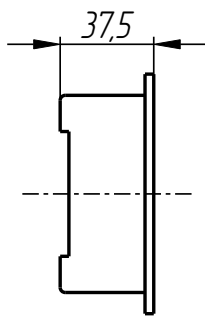
PPL-401-060

Cartridge /
Plunger Positioner
(Z25-008_01F-01)
PPl-401-060

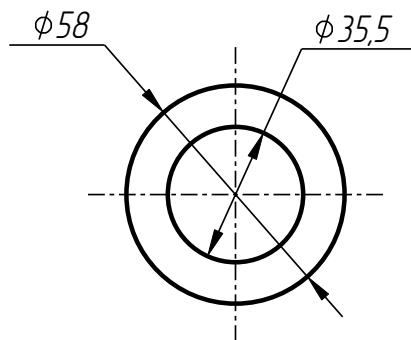
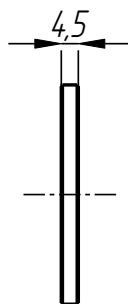
401



Main body
PPl-401-060-003



Spring retainer
PPl-401-060-002

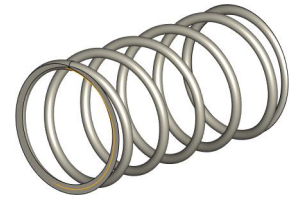
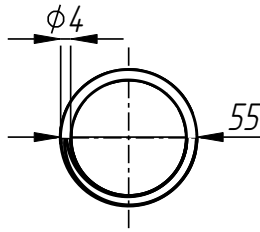
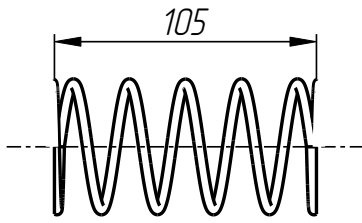


Ring
PPl-401-060-001

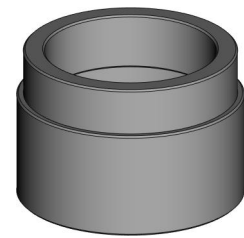
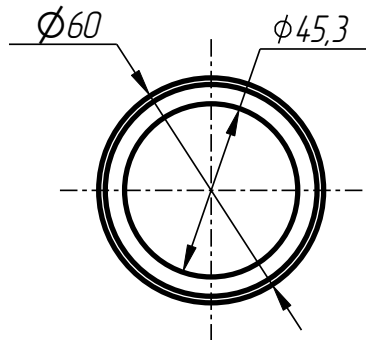
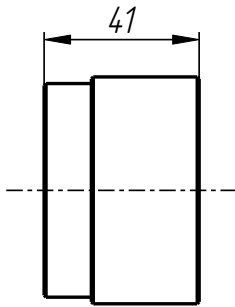
PPl-401-060

Cartridge /
Plunger Positioner
(Z25-008_01F-01)
PPL-401-060

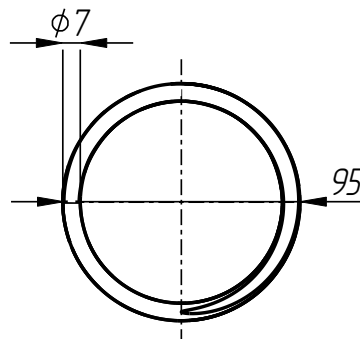
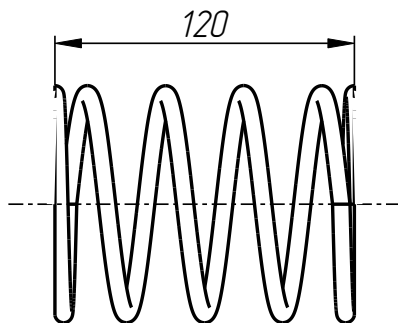
401



Spring
PPL-401-031-003-006



Sleeve
PPL-401-031-003-004



Spring
PPL-401-010-008