

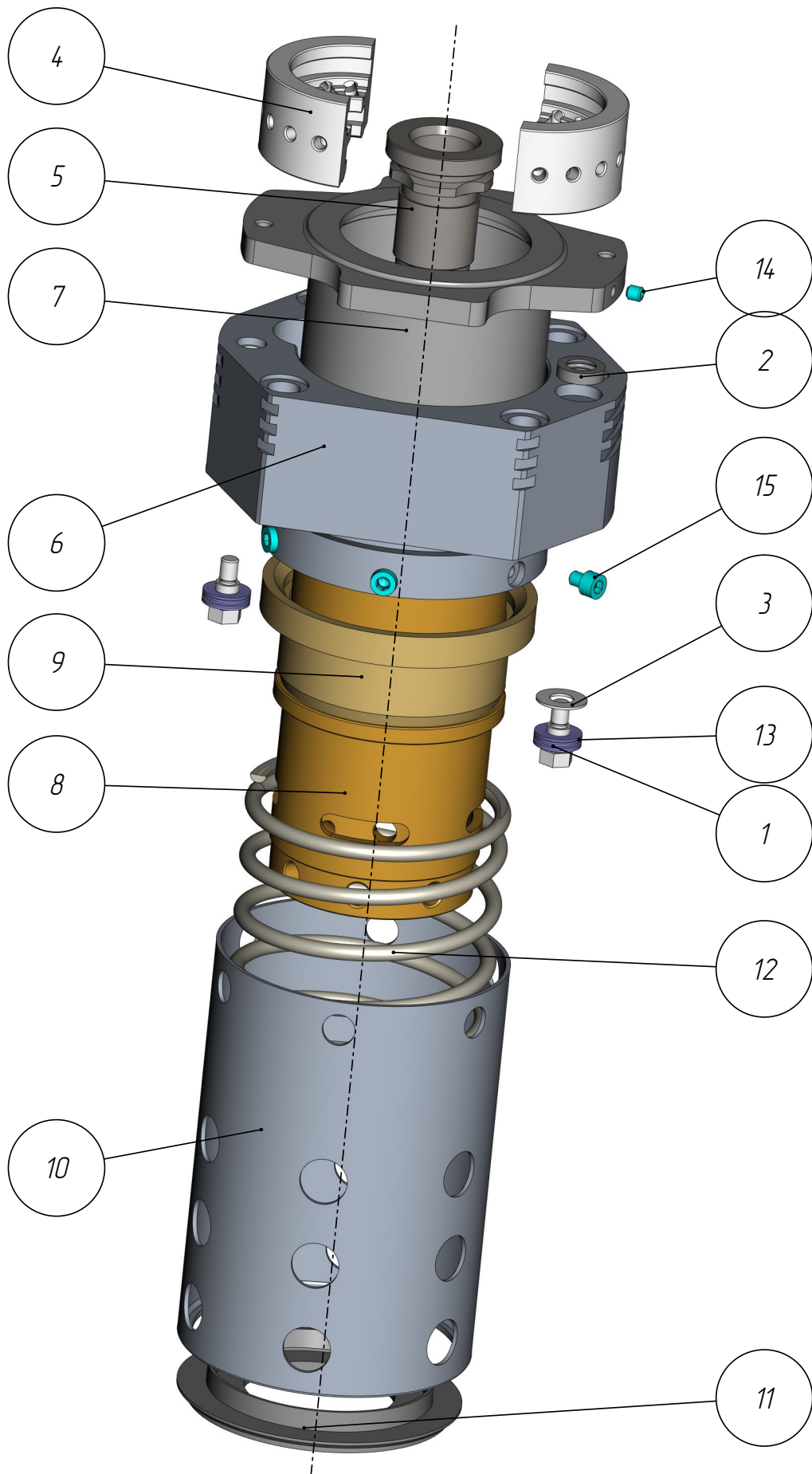
401

PPI-401-052

*Cartridge /
Plunger Positioner 70
(A57-15-88)*

Cartridge /
Plunger Positioner 70
(A57-15-88)
PPl-401-052

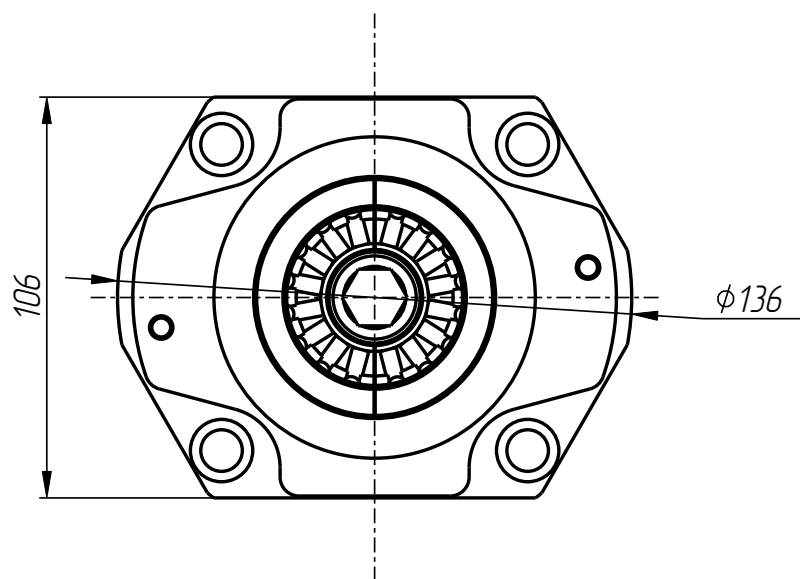
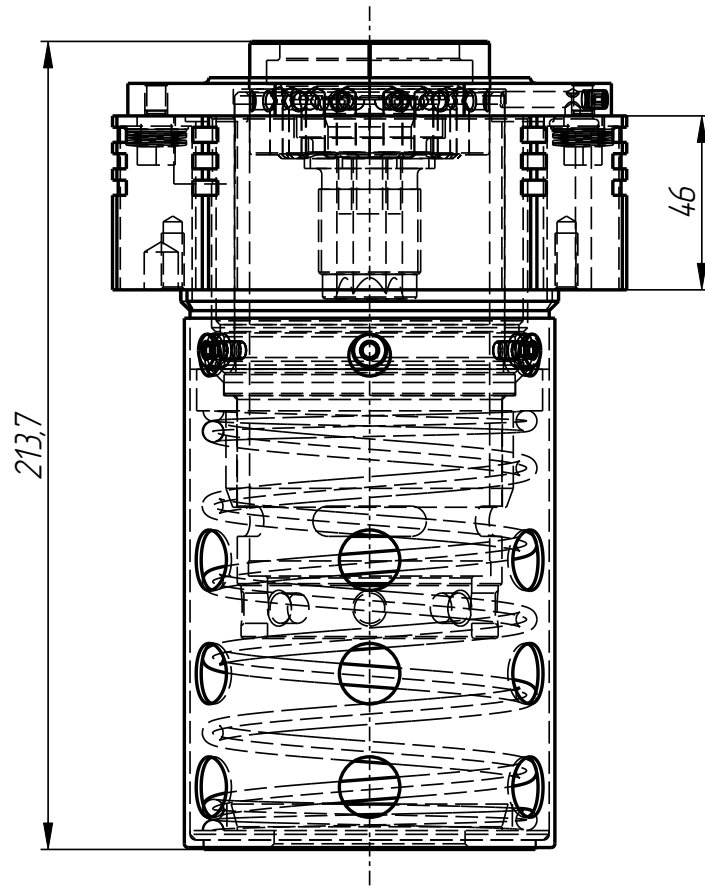
401



PPl-401-052

Cartridge /
Plunger Positioner 70
(A57-15-88)
PPL-401-052

401



PPL-401-052

Cartridge /
Plunger Positioner 70
(A57-15-88)
PPl-401-052

401

PPl-401-052

Cartridge /
Plunger Positioner 70
(A57-15-88)
Specification

N° pos.	Code	Name	Qty
---------	------	------	-----

Parts:

1	PPl-401-020-001	Screw	2
2	PPl-401-020-002	Ring	1
3	PPl-401-020-003	Washer	2
4	PPl-401-020-011	Semi-ring	2
5	PPl-401-020-012	Adapter	1
6	PPl-401-052-001	Cap	1
7	PPl-401-052-002	Sleeve	1
8	PPl-401-052-003	Bushing	1
9	PPl-401-052-004	Bushing	1
10	PPl-401-052-005	Casing	1
11	PPl-401-052-006	Spring retainer	1
12	PPl-401-052-007	Spring	1

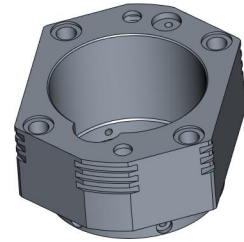
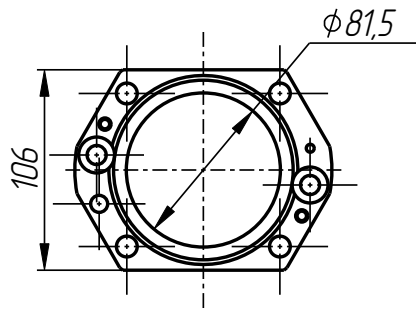
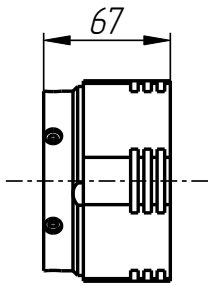
Standard parts:

13	Poppet spring M6 ГОСТ 3057-90	10
14	Screw M5x5 GOST 11074-93	1
15	Screw M5x6 DIN 912	6

PPl-401-052

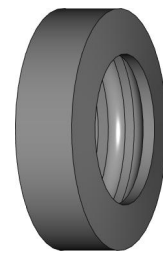
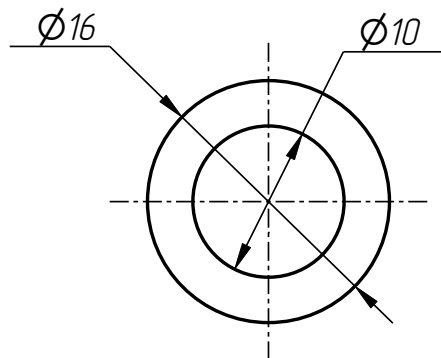
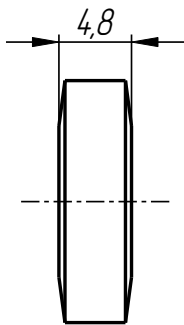
Cartridge /
Plunger Positioner 70
(A57-15-88)
PPI-401-052

401



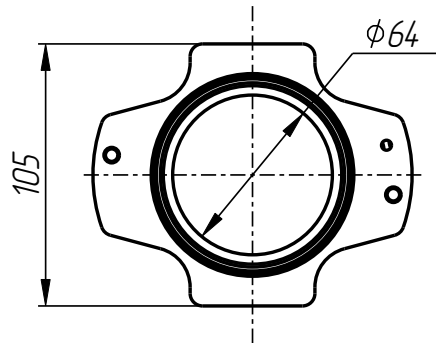
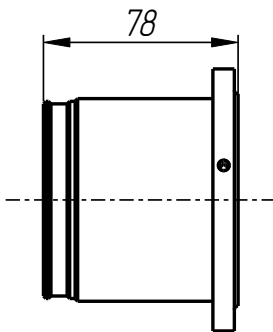
Cap

PPI-401-052-001



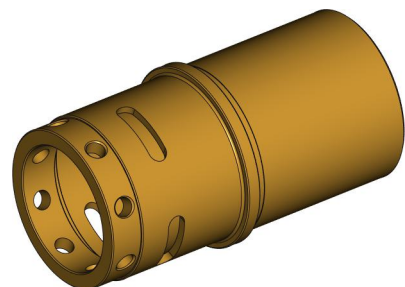
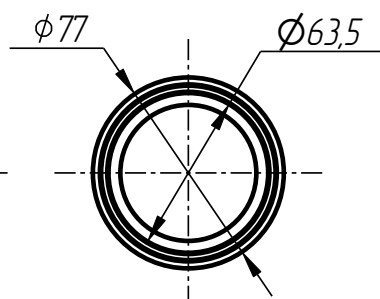
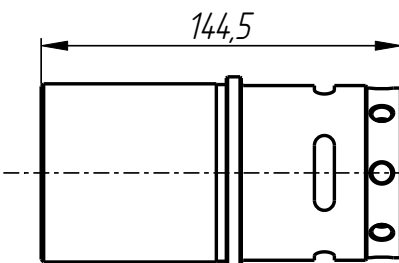
Ring

PPI-401-020-002



Sleeve

PPI-401-052-002



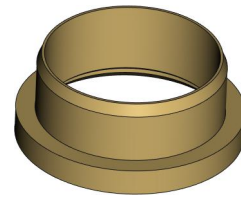
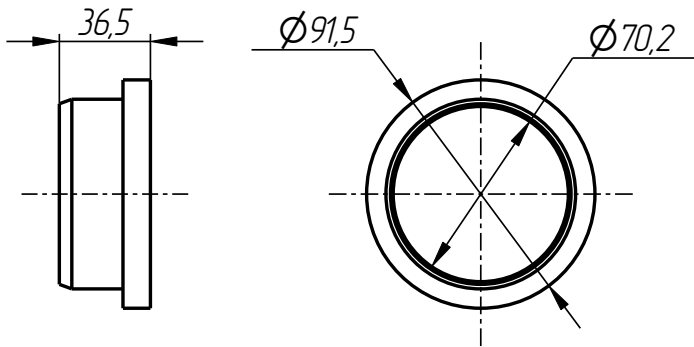
Bushing

PPI-401-052-003

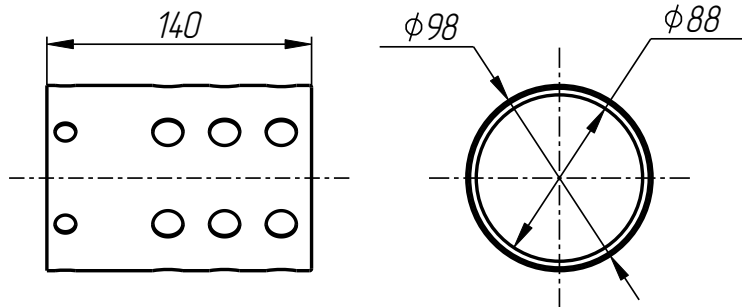
PPI-401-052

Cartridge /
Plunger Positioner 70
(A57-15-88)
PPL-401-052

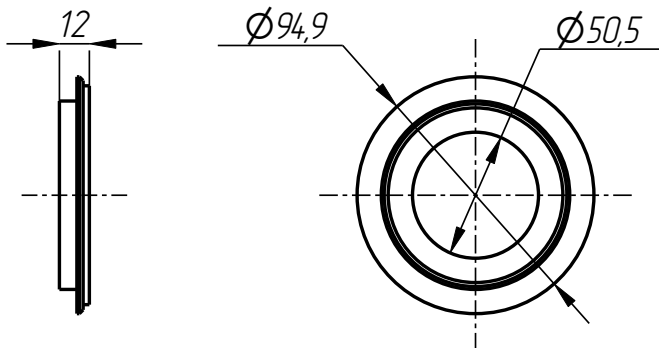
401



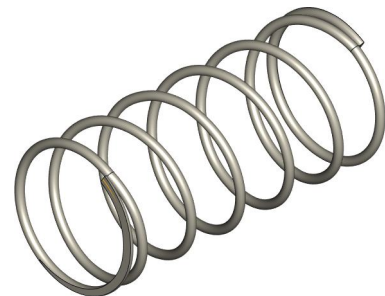
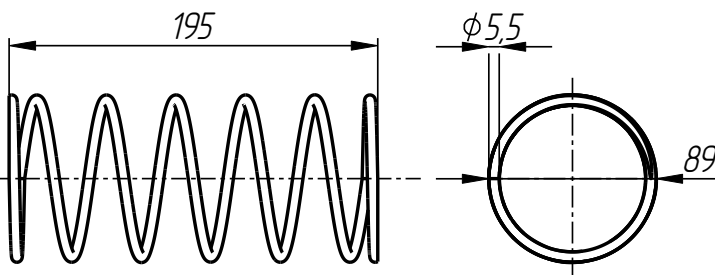
Bushing
PPL-401-052-004



Casing
PPL-401-052-005



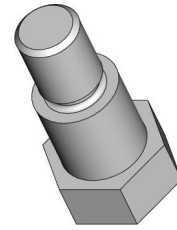
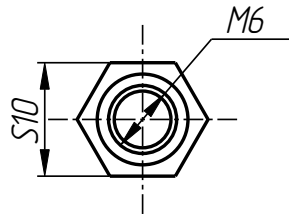
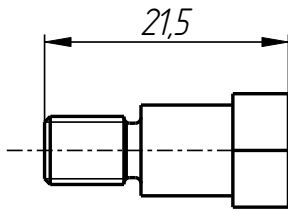
Spring retainer
PPL-401-052-006



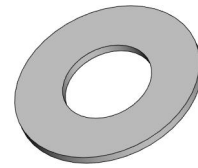
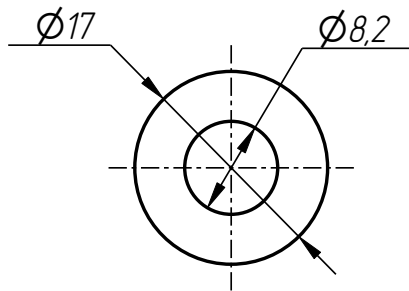
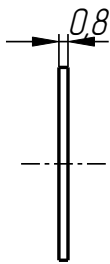
Spring
PPL-401-052-007

Cartridge /
Plunger Positioner 70
(A57-15-88)
PPL-401-052

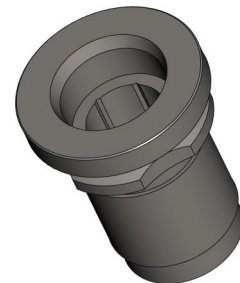
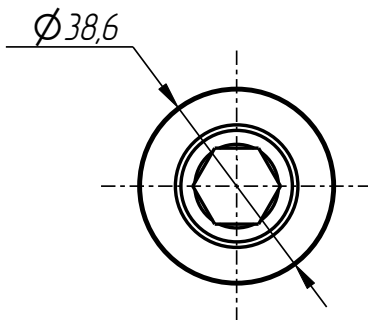
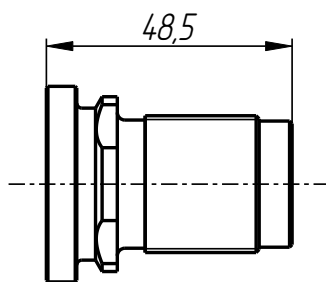
401



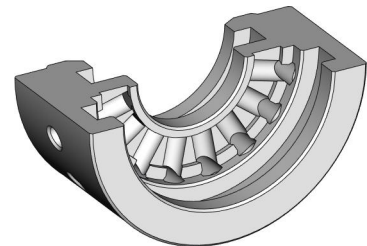
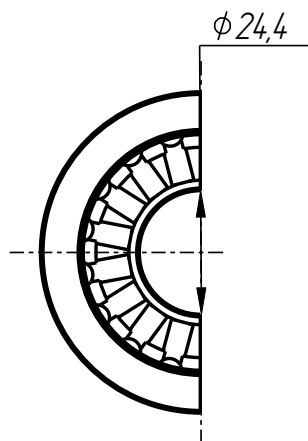
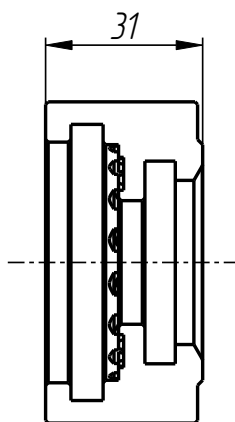
Screw
PPL-401-020-001



Washer
PPL-401-020-003



Adapter
PPL-401-020-012



Semi-ring
PPL-401-020-011