

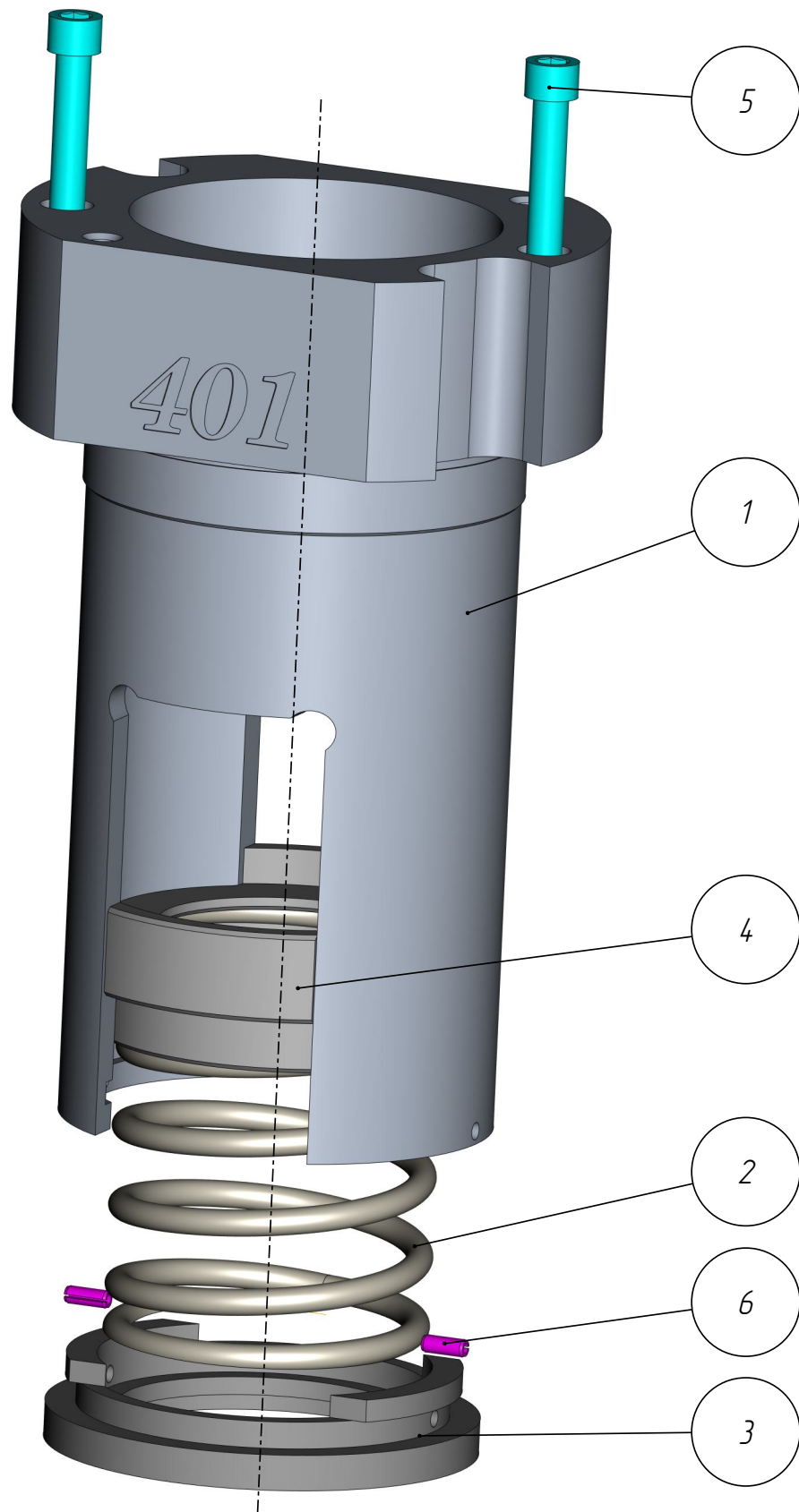
401

PPL-401-049

*Cartridge /
Plunger Positioner 90
(MRN-401-90_000-01)*

Cartridge /
Plunger Positioner 90
(MRN-401-90_000-01)
PPL-401-049

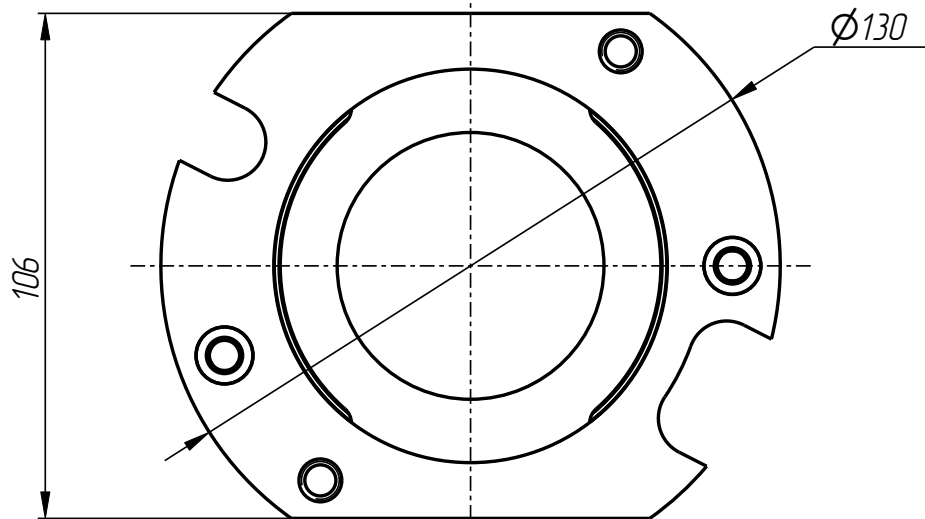
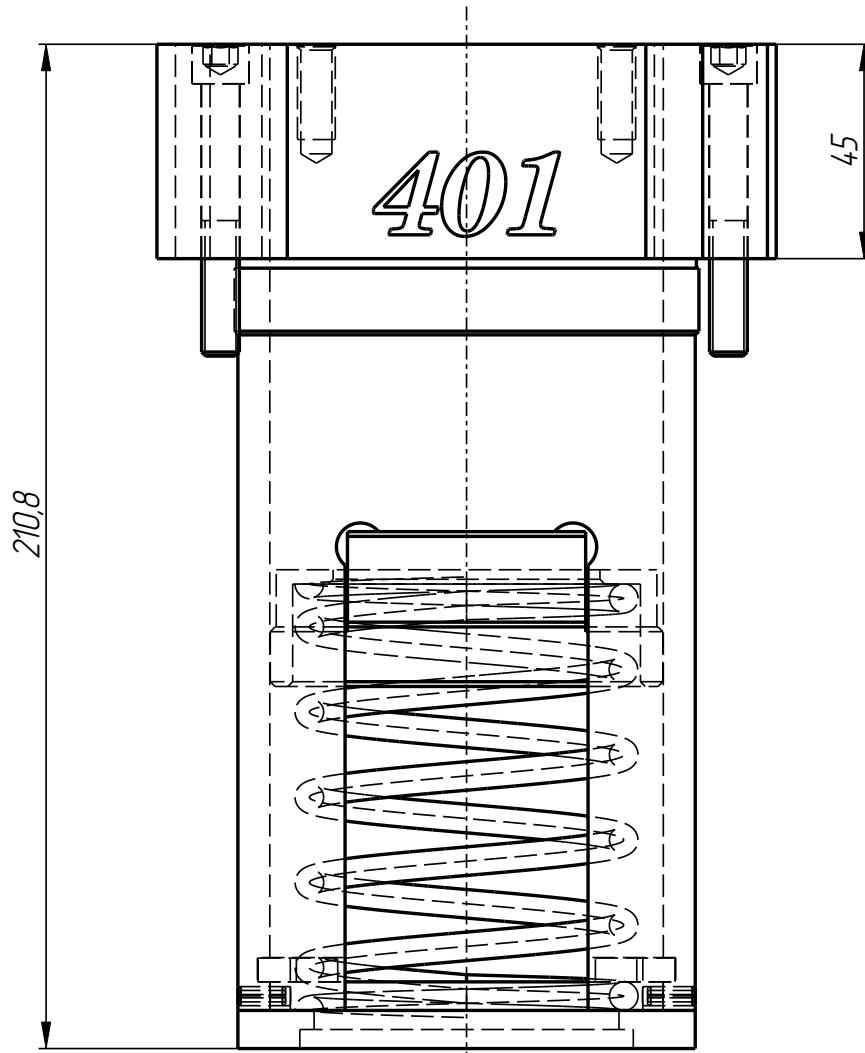
401



PPL-401-049

Cartridge /
Plunger Positioner 90
(MRN-401-90_000-01)
PPL-401-049

401



*Cartridge /
Plunger Positioner 90
(MRN-401-90_000-01)
PPI-401-049*

401

PPI-401-049

*Cartridge /
Plunger Positioner 90
(MRN-401-90_000-01)*

Specification

<i>N° pos.</i>	<i>Code</i>	<i>Name</i>	<i>Qty</i>
----------------	-------------	-------------	------------

Parts:

<i>1</i>	<i>PPI-401-005-001</i>	<i>Main body</i>	<i>1</i>
<i>2</i>	<i>PPI-401-005-003</i>	<i>Spring</i>	<i>1</i>
<i>3</i>	<i>PPI-401-005-004</i>	<i>Spring retainer</i>	<i>1</i>
<i>4</i>	<i>PPI-401-049-001</i>	<i>Sleeve</i>	<i>1</i>

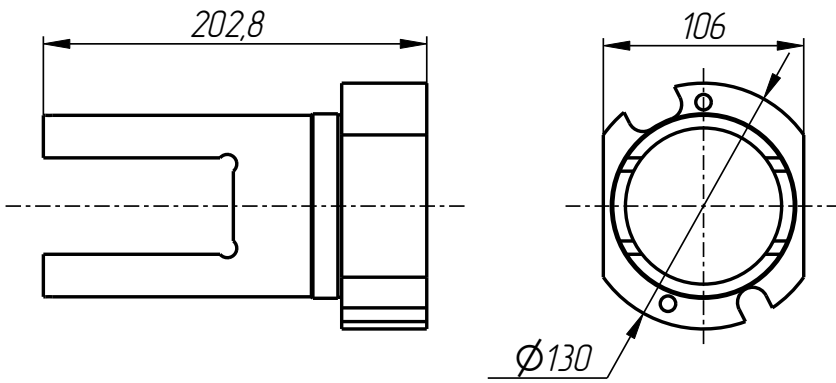
Standard parts:

<i>5</i>	<i>Screw UNC5/16"-18x2 1/4" DIN 912</i>	<i>2</i>
<i>6</i>	<i>Spring pin ϕ4x10 DIN 1481</i>	<i>2</i>

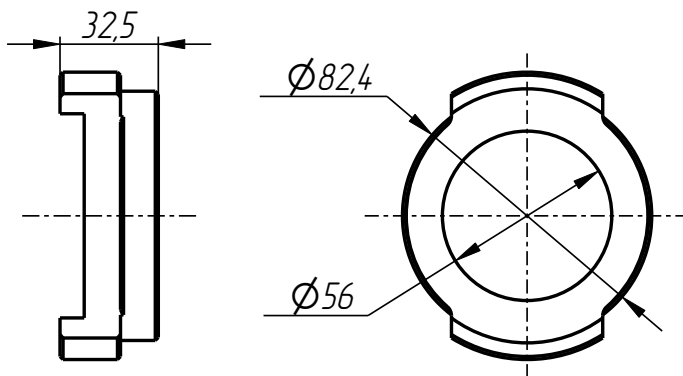
PPI-401-049

Cartridge /
Plunger Positioner 90
(MRN-401-90_000-01)
PPL-401-049

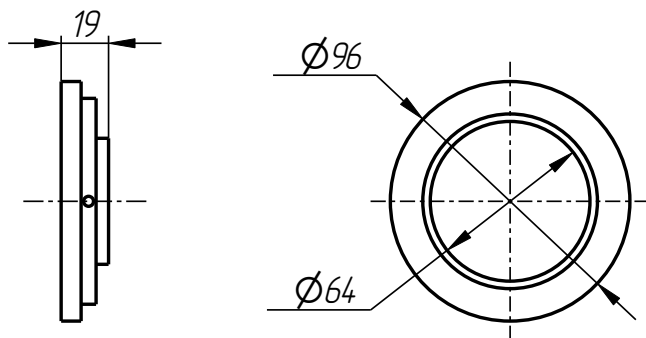
401



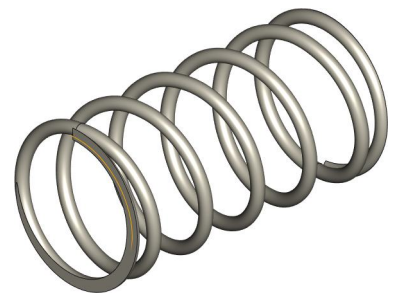
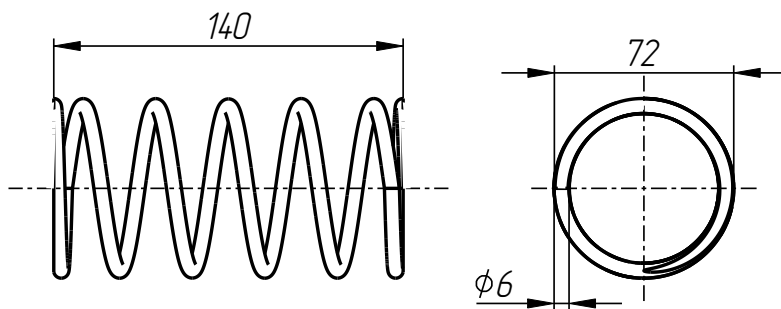
Main body
PPL-401-005-001



Sleeve
PPL-401-049-001



Spring retainer
PPL-401-005-004



Spring
PPL-401-005-003