

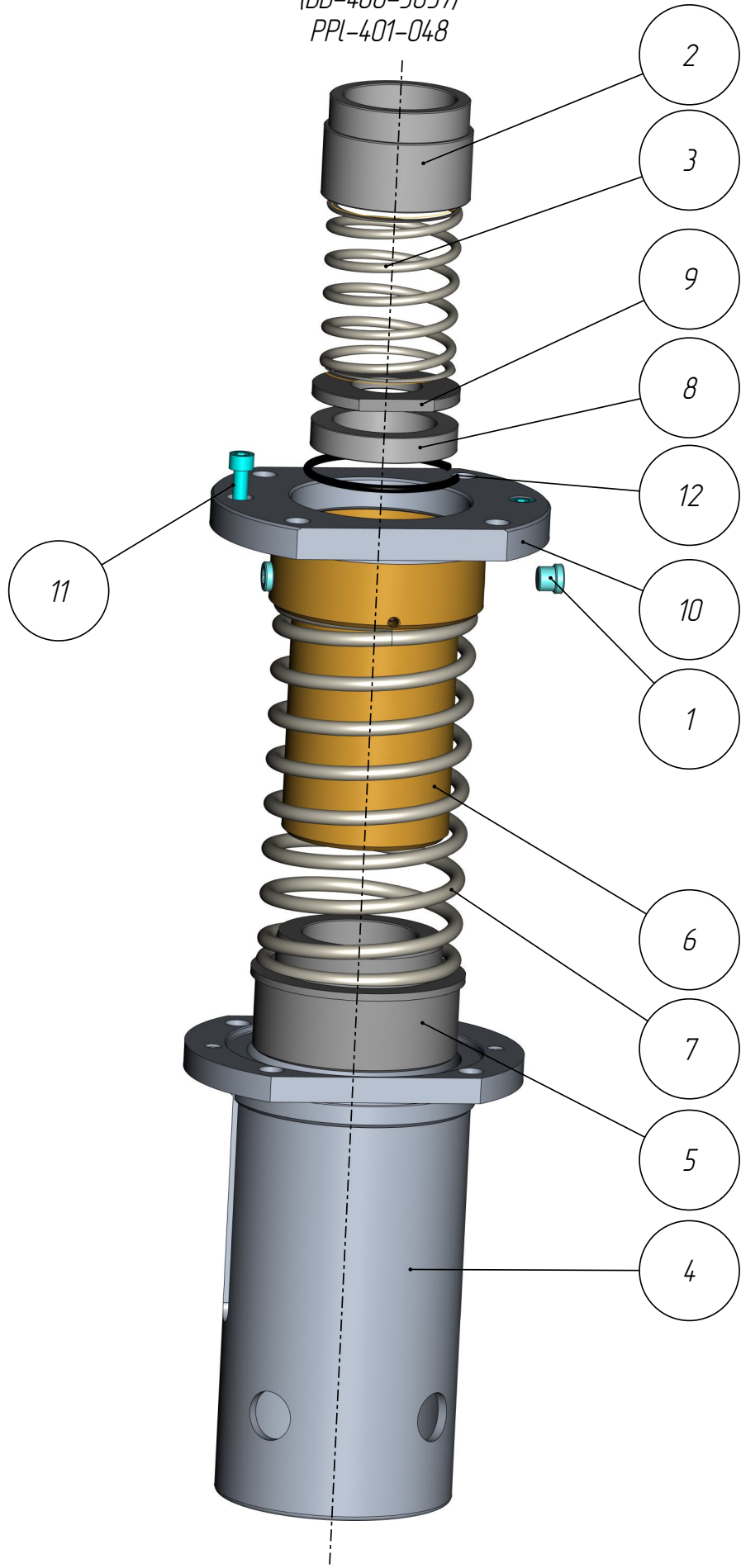
401

PPI-401-048

*Cartridge /
Plunger Positioner
(BB-400-5037)*

Cartridge /
Plunger Positioner
(BB-400-5037)
PPl-401-048

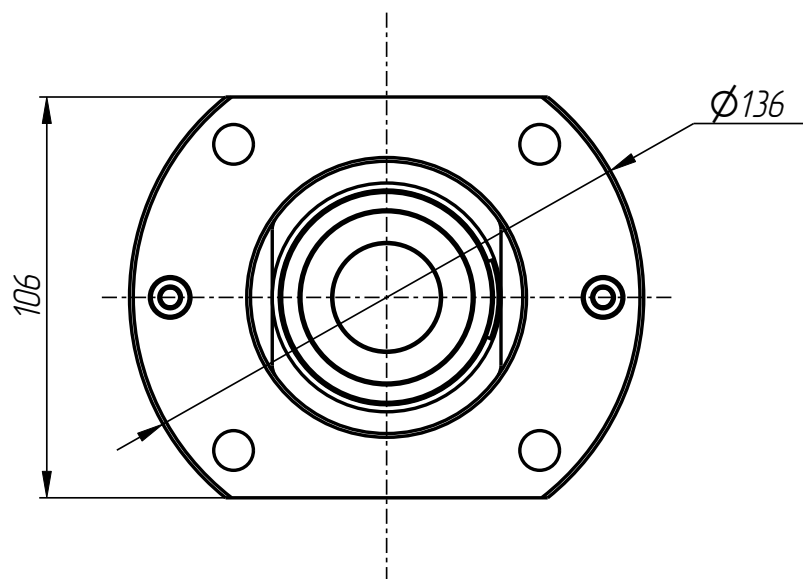
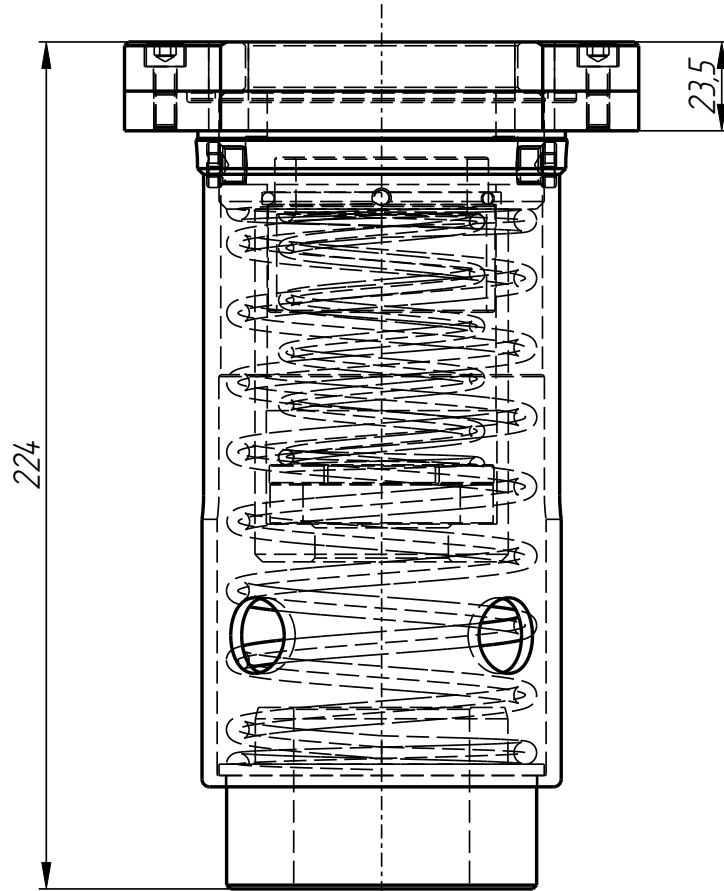
401



PPl-401-048

Cartridge /
Plunger Positioner
(BB-400-5037)
PPl-401-048

401



PPl-401-048

*Cartridge /
Plunger Positioner
(BB-400-5037)
PPL-401-048*

401

PPL-401-048

*Cartridge /
Plunger Positioner
(BB-400-5037)*

Specification

<i>Nº pos.</i>	<i>Code</i>	<i>Name</i>	<i>Qty</i>
----------------	-------------	-------------	------------

Parts:

1	PPL-401-008-010	Screw	2
2	PPL-401-031-003-004	Sleeve	1
3	PPL-401-031-003-006	Spring	1
4	PPL-401-048-001	Main body	1
5	PPL-401-048-002	Spring retainer	1
6	PPL-401-048-003	Bushing	1
7	PPL-401-048-004	Spring	1
8	PPL-401-048-005	Ring	1
9	PPL-401-048-006	Washer	1
10	PPL-401-048-007	Cap	1

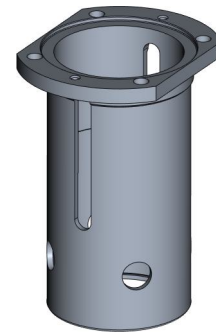
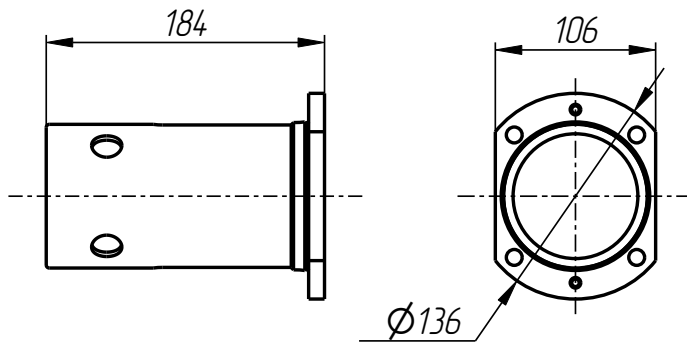
Standard parts:

11	Screw M6x16 DIN 912		2
12	Sprenging B 60 DIN 7993		1

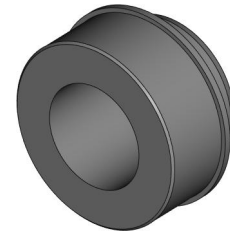
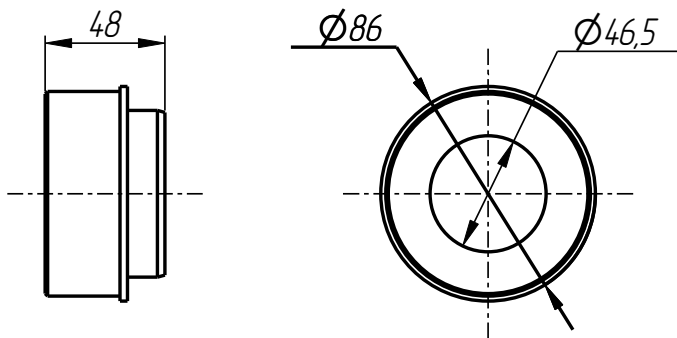
PPL-401-048

Cartridge /
Plunger Positioner
(BB-400-5037)
PPL-401-048

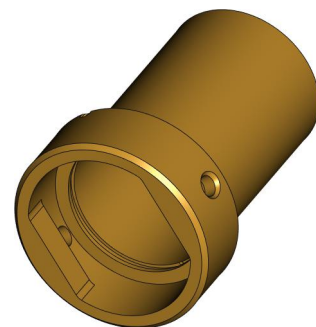
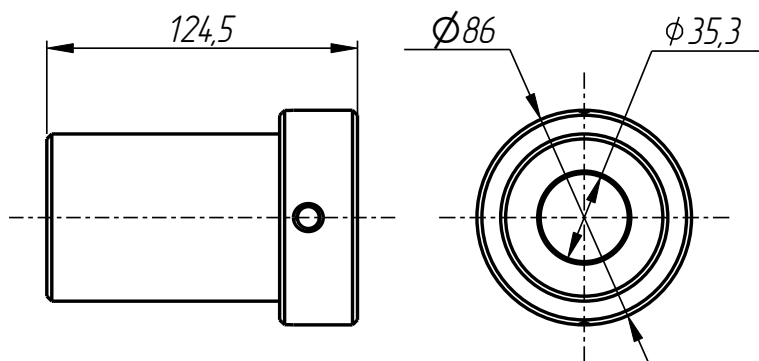
401



Main body
PPL-401-048-001



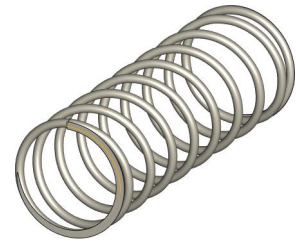
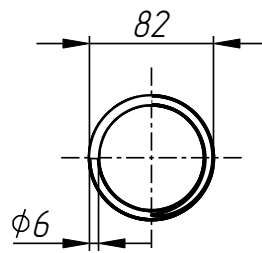
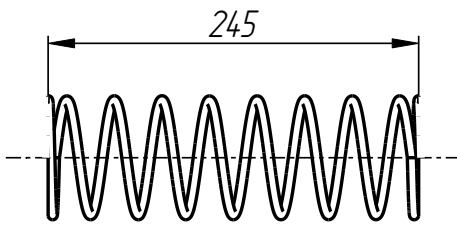
Spring retainer
PPL-401-048-002



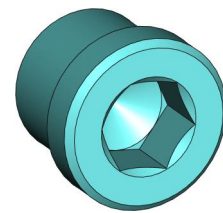
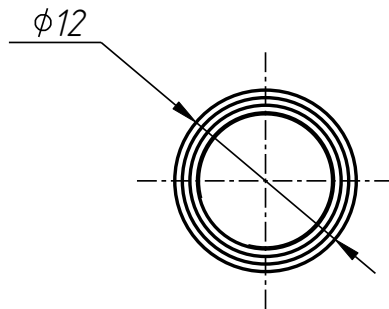
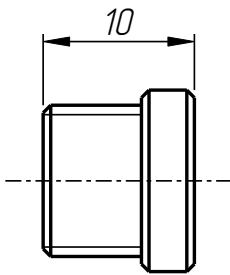
Bushing
PPL-401-048-003

Cartridge /
Plunger Positioner
(BB-400-5037)
PPl-401-048

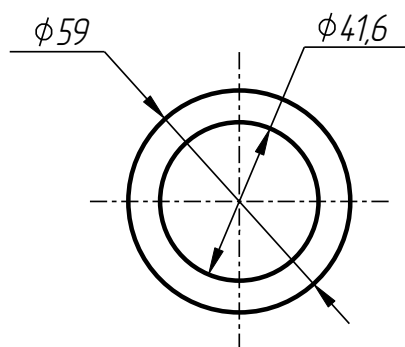
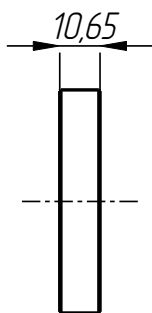
401



Spring
PPl-401-048-004

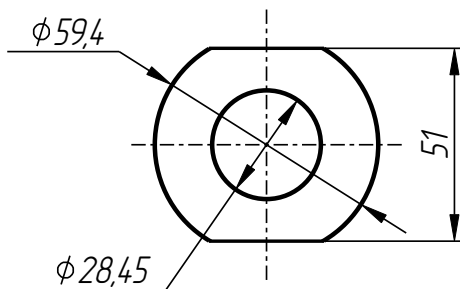
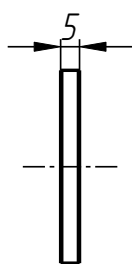


Screw
PPl-401-008-010

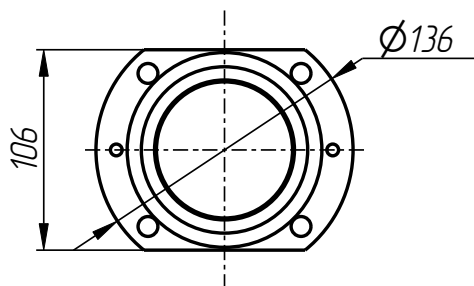
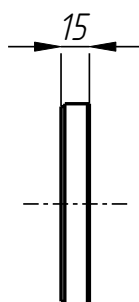


Ring
PPl-401-048-005

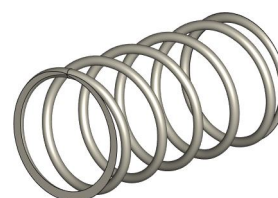
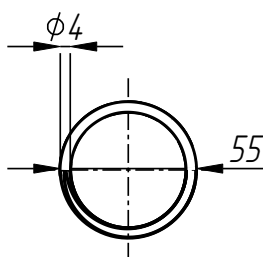
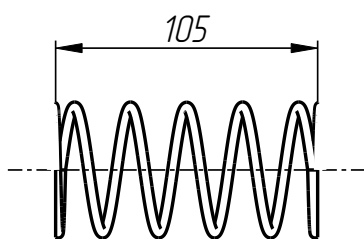
Cartridge /
Plunger Positioner
(BB-400-5037)
PPL-401-048



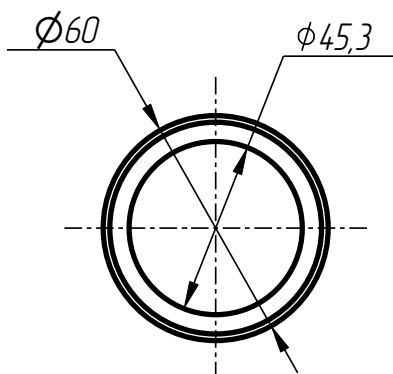
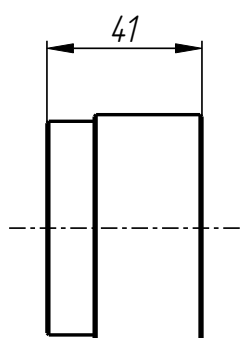
Washer
PPL-401-048-006



Cap
PPL-401-048-007



Spring
PPL-401-031-003-006



Sleeve
PPL-401-031-003-004

PPL-401-048