

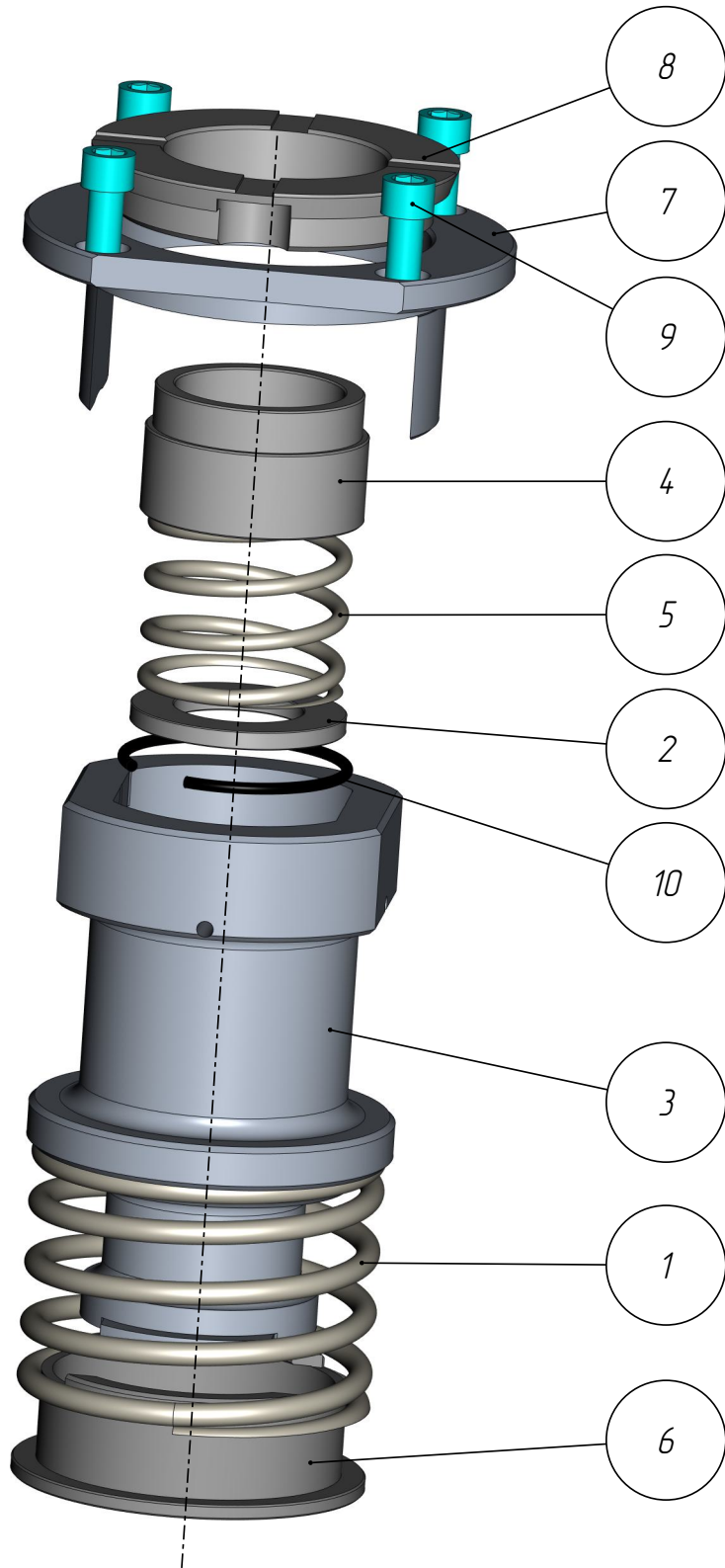
401

PPI-401-046

*Cartridge /
Plunger Positioner
(BB-07117615)*

Cartridge /
Plunger Positioner
(BB-07117615)
PPI-401-046

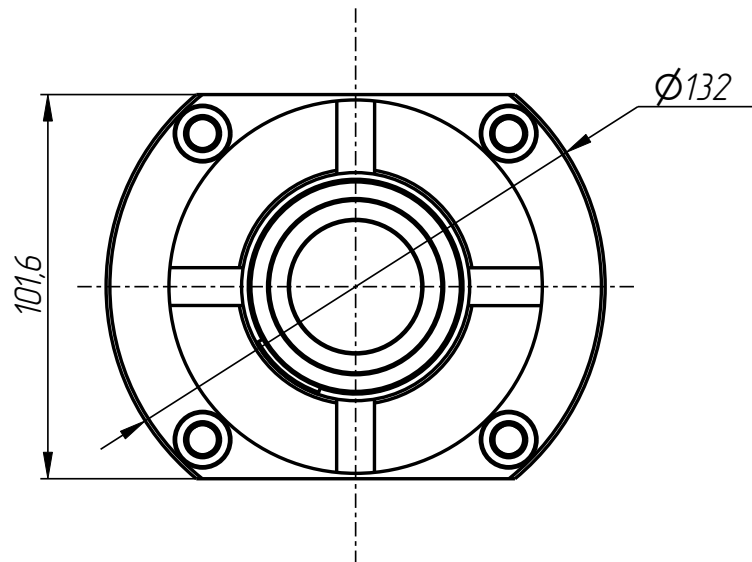
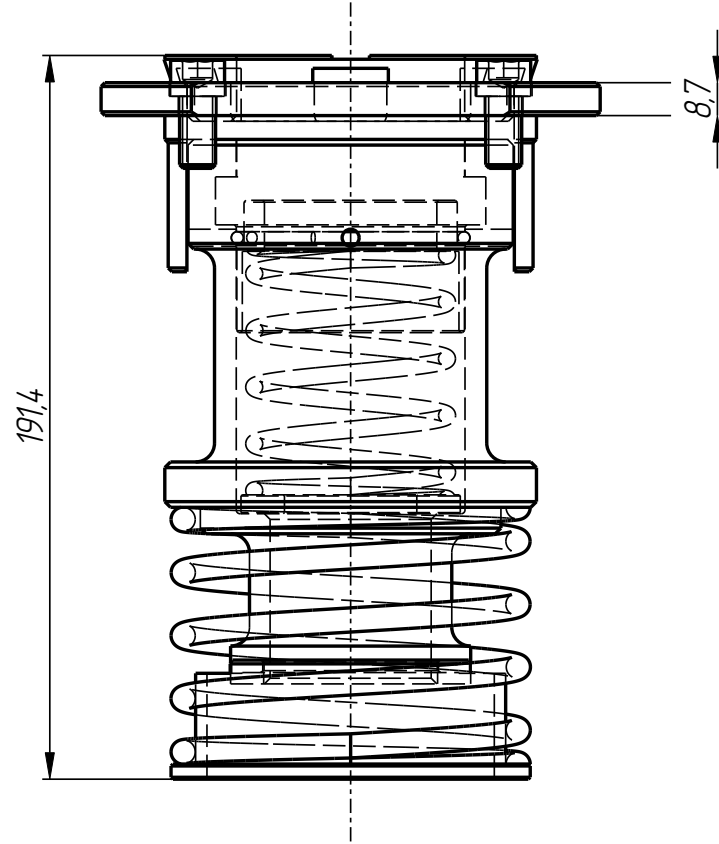
401



PPI-401-046

Cartridge /
Plunger Positioner
(BB-07117615)
PPL-401-046

401



PPL-401-046

Cartridge /
Plunger Positioner
(BB-07117615)
PPL-401-046

401

PPL-401-046

Cartridge /
Plunger Positioner
(BB-07117615)
Specification

N° pos.	Code	Name	Qty
---------	------	------	-----

Parts:

1	PPL-401-010-008	Spring	1
2	PPL-401-031-003-005	Ring	1
3	PPL-401-046-001	Main body	1
4	PPL-401-046-002	Sleeve	1
5	PPL-401-046-003	Spring	1
6	PPL-401-046-004	Spring retainer	1
7	PPL-401-046-005	Flange	1
8	PPL-401-046-006	Ring	1

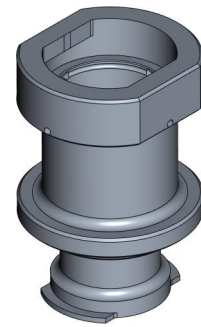
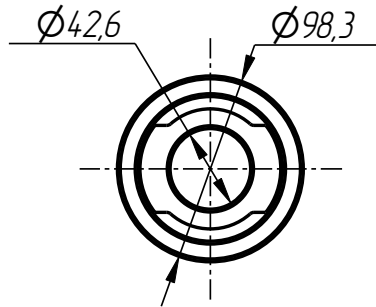
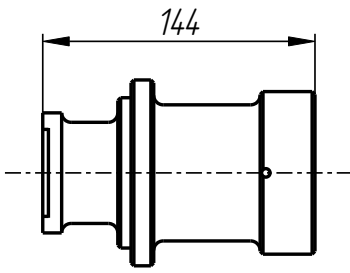
Standard parts:

9	Screw UNC3/8"-16x3/4" DIN 912	4
10	Sprenging B 60 DIN 7993	1

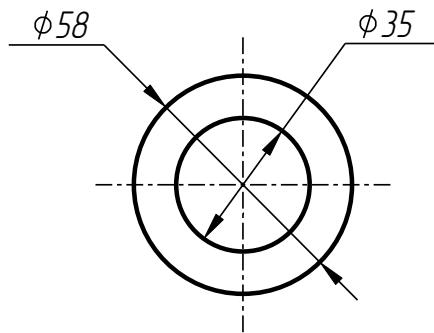
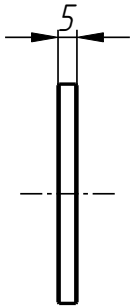
PPL-401-046

Cartridge /
Plunger Positioner
(BB-07117615)
PPL-401-046

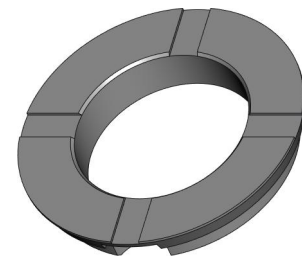
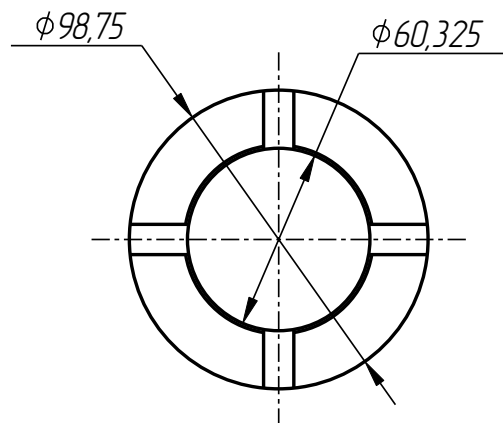
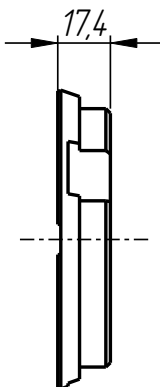
401



Main body
PPL-401-046-001



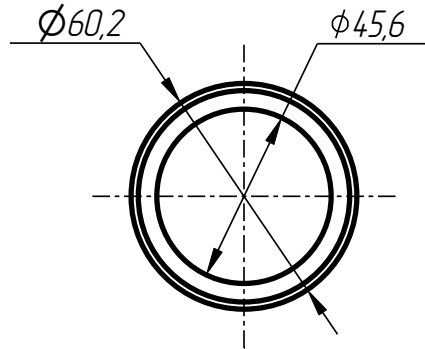
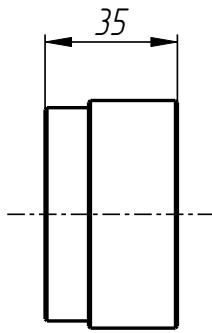
Ring
PPL-401-031-003-005



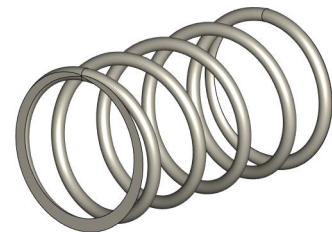
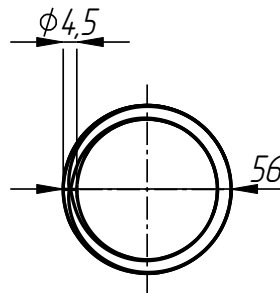
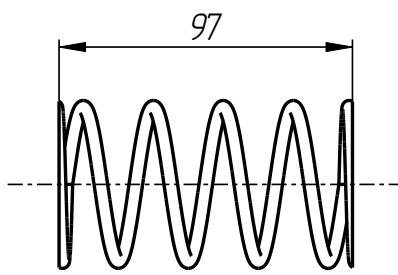
Ring
PPL-401-046-006

Cartridge /
Plunger Positioner
(BB-07117615)
PPL-401-046

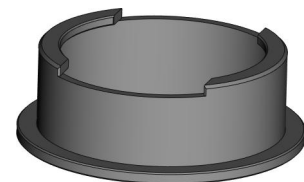
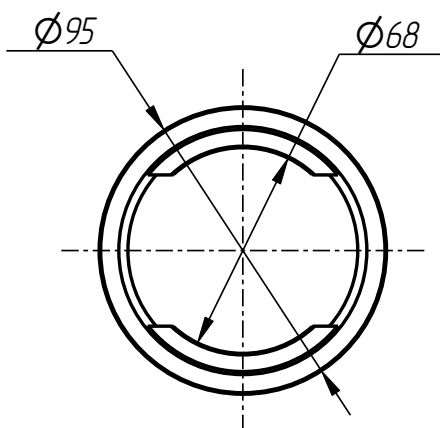
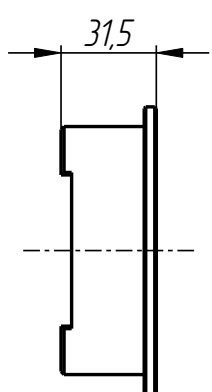
401



Sleeve
PPL-401-046-002



Spring
PPL-401-046-003

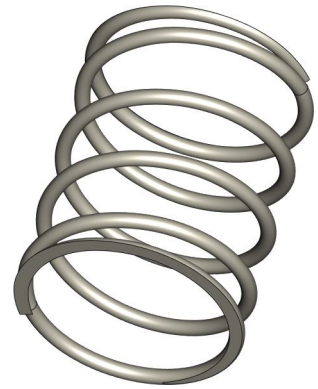
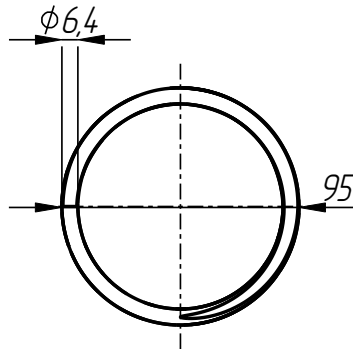
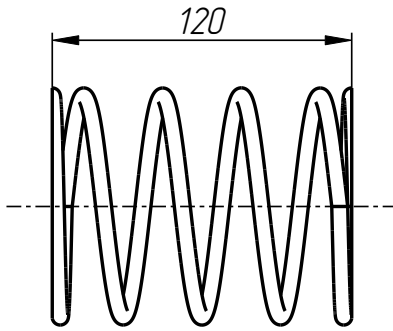


Spring retainer
PPL-401-046-004

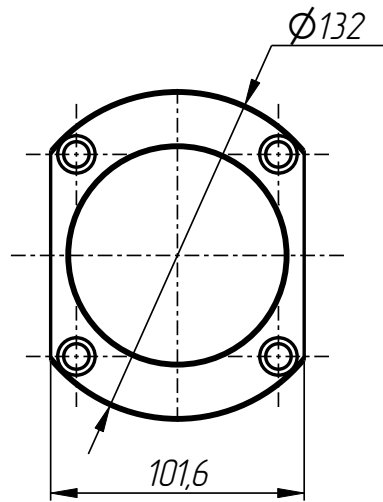
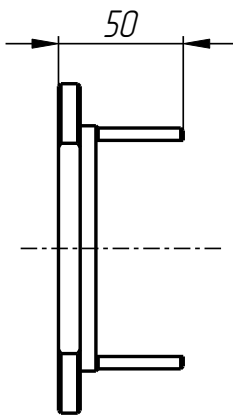
PPL-401-046

Cartridge /
Plunger Positioner
(BB-07117615)
PPl-401-046

401



Spring
PPl-401-010-008



Flange
PPl-401-046-005

PPl-401-046