

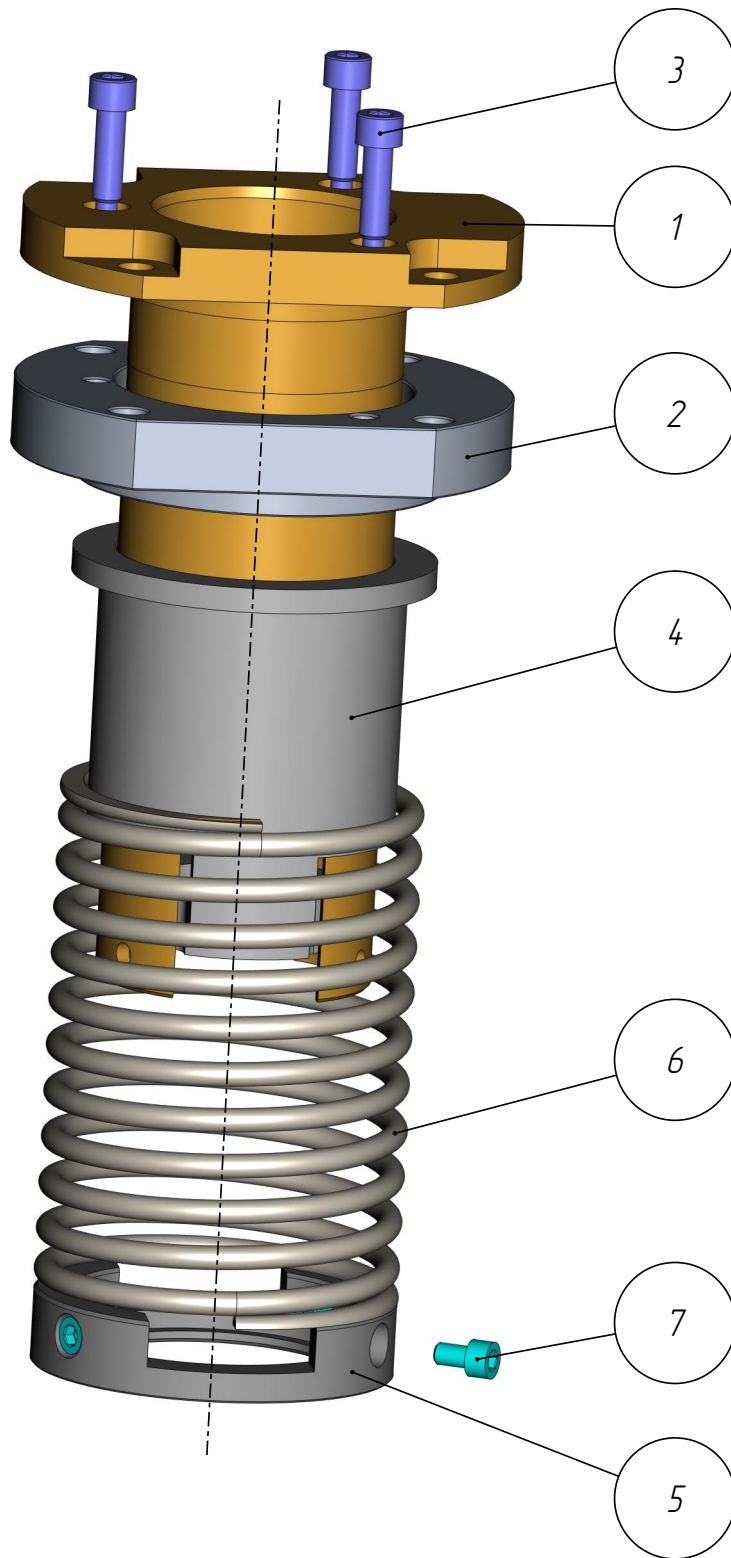
*401*

*PPI-401-045*

*Cartridge /  
Plunger Positioner 70  
(EM5-62-407-6-70)*

Cartridge /  
Plunger Positioner 70  
(EM5-62-407-6-70)  
PPI-401-045

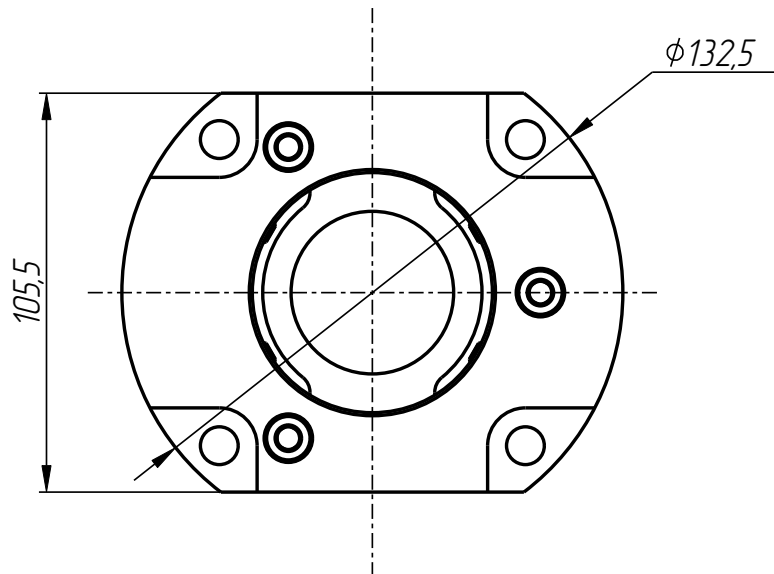
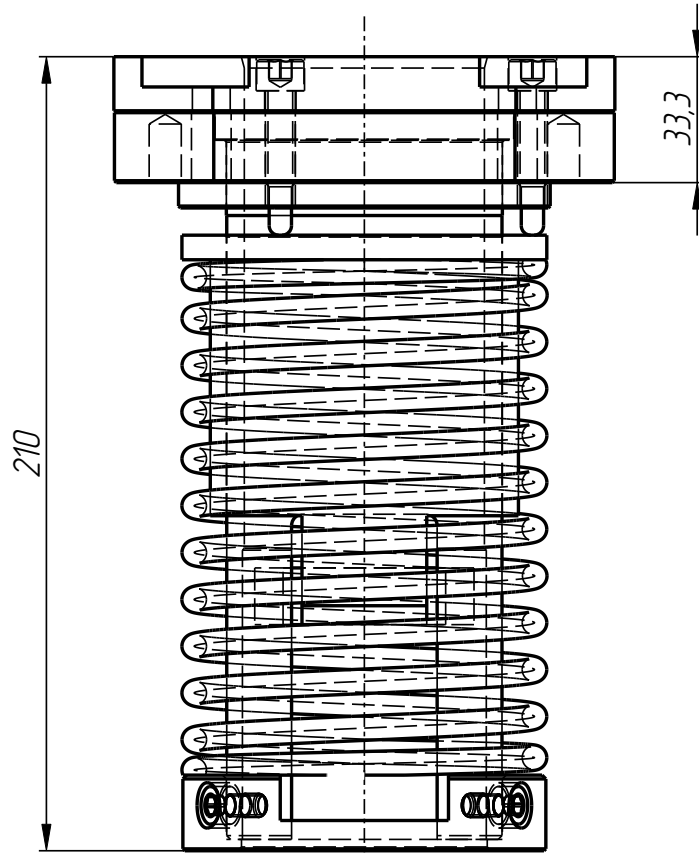
401



PPI-401-045

Cartridge /  
Plunger Positioner 70  
(EM5-62-407-6-70)  
PPL-401-045

401



PPL-401-045

*Cartridge /  
Plunger Positioner 70  
(EM5-62-407-6-70)  
PPl-401-045*

**401**

## *PPl-401-045*

*Cartridge /  
Plunger Positioner 70  
(EM5-62-407-6-70)*

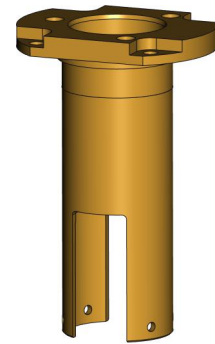
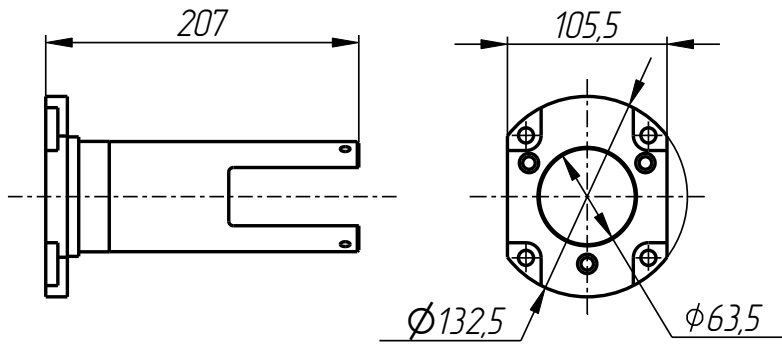
*Specification*

<i>N° pos.</i>	<i>Code</i>	<i>Name</i>	<i>Qty</i>
<i>Parts:</i>			
1	PPl-401-045-001	Bushing	1
2	PPl-401-045-002	Flange	1
3	PPl-401-045-003	Screw	3
4	PPl-401-045-004	Sleeve	1
5	PPl-401-045-005	Spring retainer	1
6	PPl-401-045-006	Spring	1
7	Screw M6x10 DIN 912		4

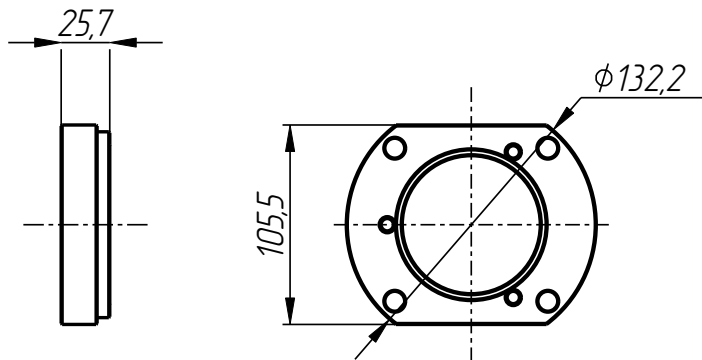
PPl-401-045

Cartridge /  
Plunger Positioner 70  
(EM5-62-407-6-70)  
PPL-401-045

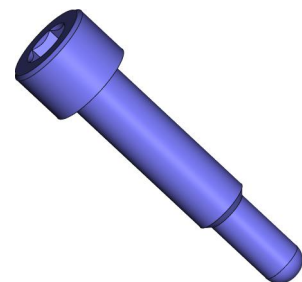
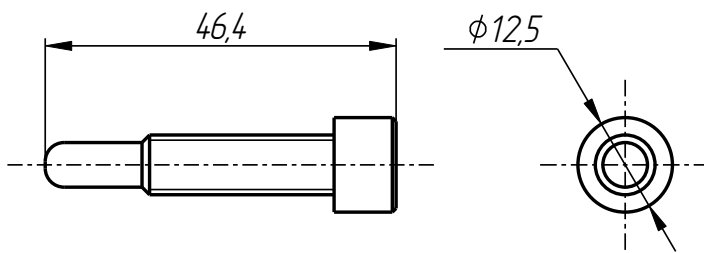
401



Bushing  
PPL-401-045-001



Flange  
PPL-401-045-002

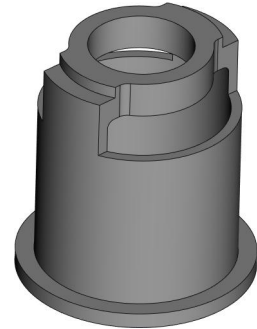
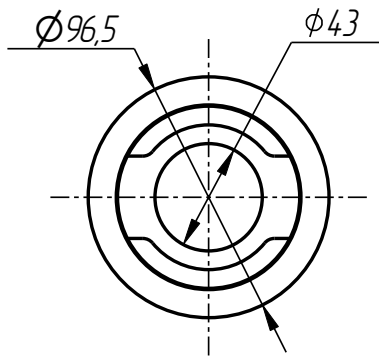
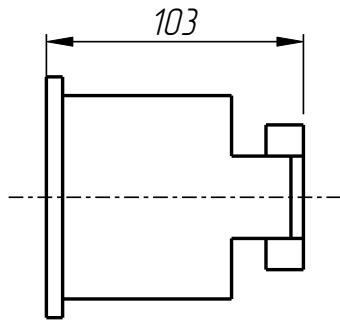


Screw  
PPL-401-045-003

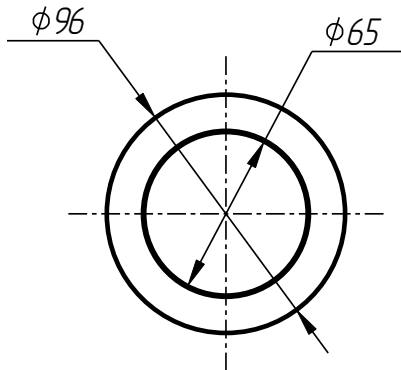
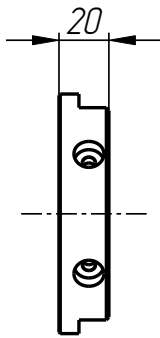
PPL-401-045

Cartridge /  
Plunger Positioner 70  
(EM5-62-407-6-70)  
PPL-401-045

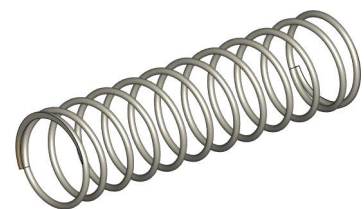
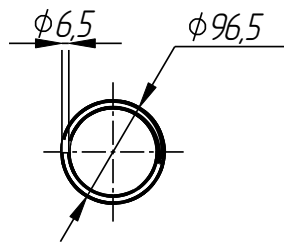
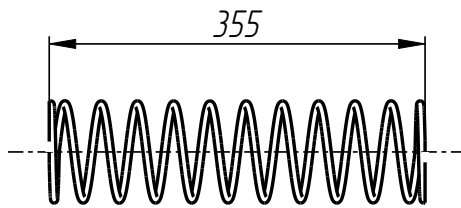
401



Sleeve  
PPL-401-045-004



Spring retainer  
PPL-401-045-005



Spring  
PPL-401-045-006

PPL-401-045