

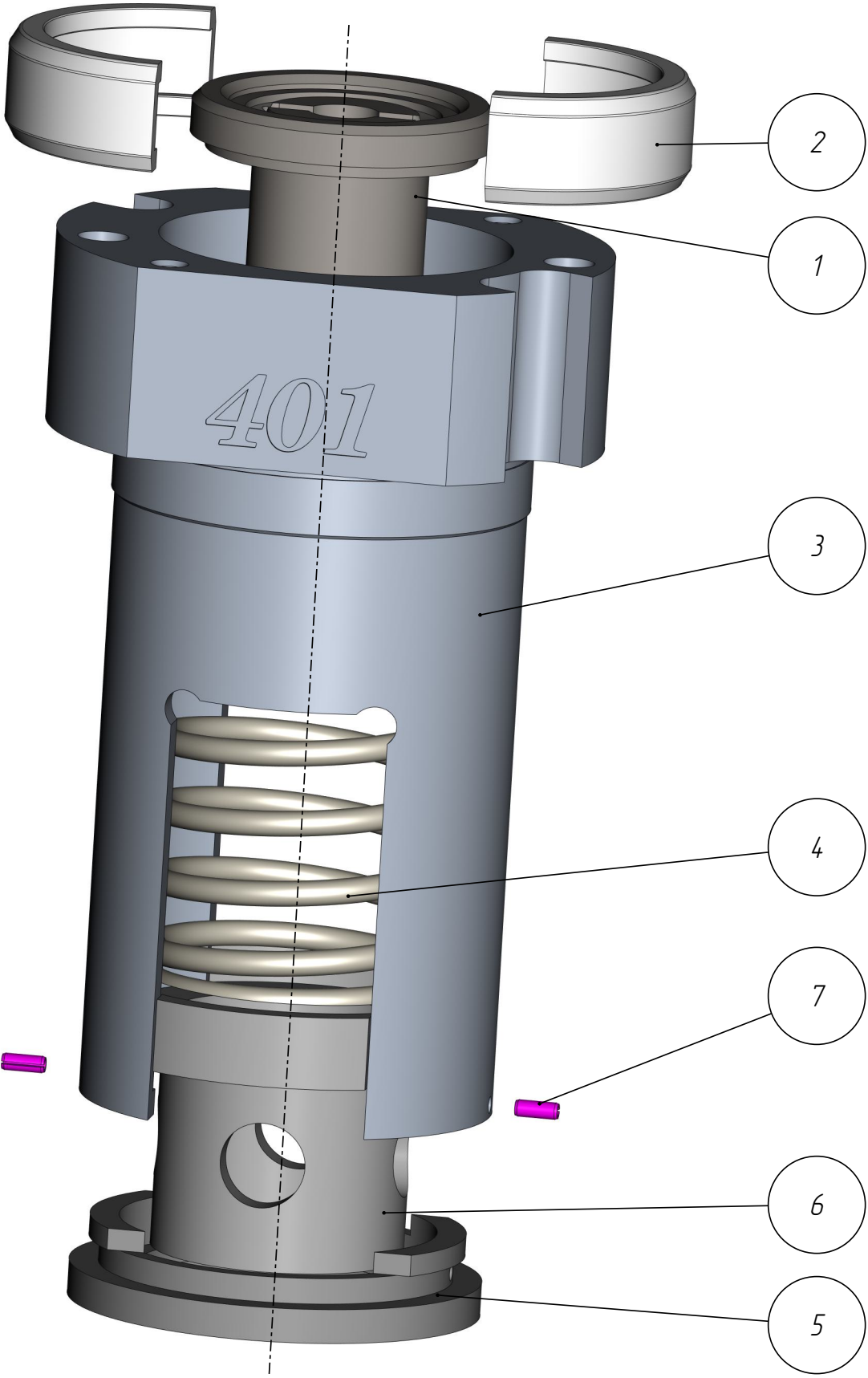
*401*

*PPL-401-040*

*Cartridge /  
Plunger Positioner  
(GPSM-MRN-401-90\_000\_00-01-BB)*

Cartridge /  
Plunger Positioner  
(GPSM-MRN-401-90\_000\_00-01-BB)  
PPI-401-040

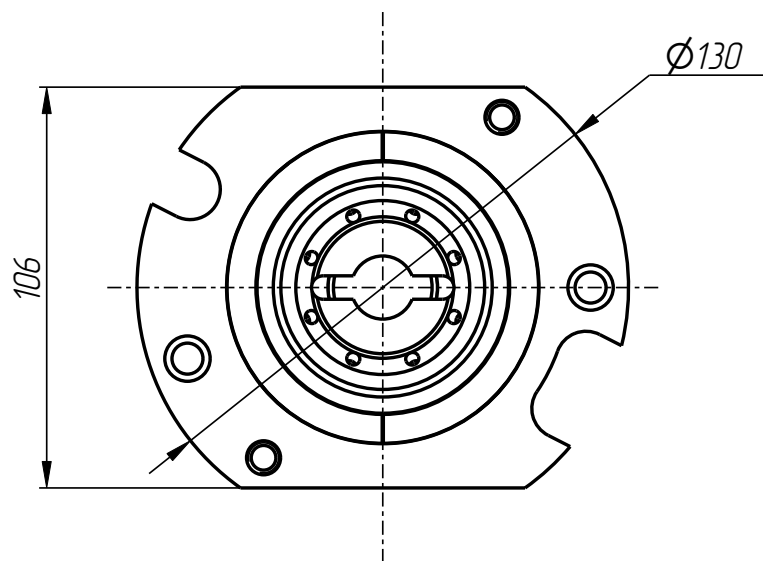
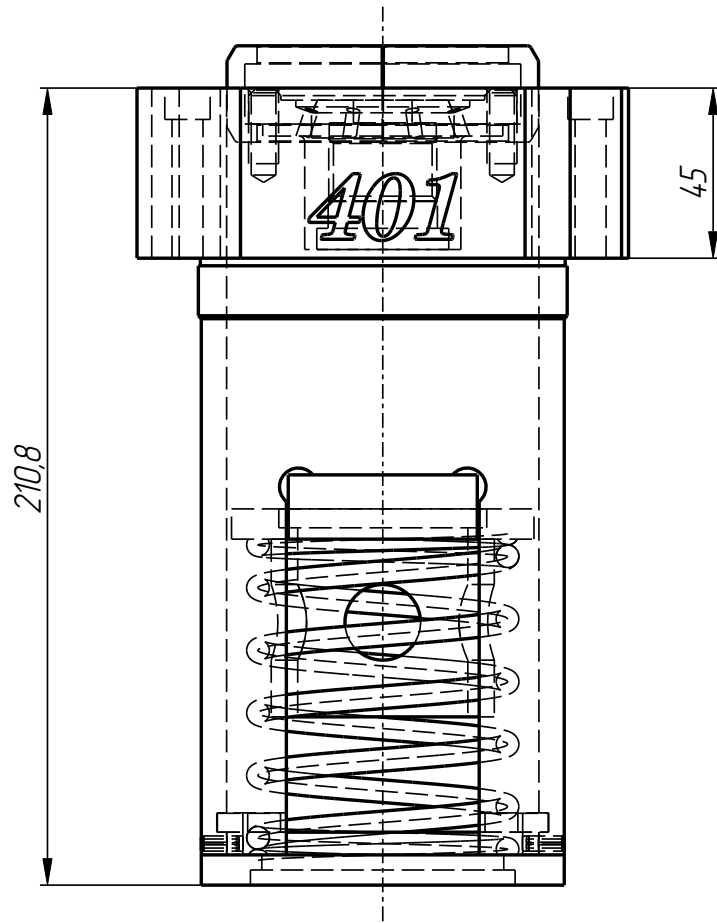
401



PPI-401-040

Cartridge /  
Plunger Positioner  
(GPSM-MRN-401-90\_000\_00-01-BB)  
PPI-401-040

401



PPI-401-040

Cartridge /  
Plunger Positioner  
(GPSM-MRN-401-90\_000\_00-01-BB)  
PPL-401-040

401

## PPL-401-040

Cartridge /  
Plunger Positioner  
(GPSM-MRN-401-90\_000\_00-01-BB)

Specification

N° pos.	Code	Name	Qty
---------	------	------	-----

Parts:

1	PPL-401-004-001	Adapter	1
2	PPL-401-004-002	Split ring	2
3	PPL-401-005-001	Main body	1
4	PPL-401-005-003	Spring	1
5	PPL-401-005-004	Spring retainer	1
6	PPL-401-034-002	Sleeve	1

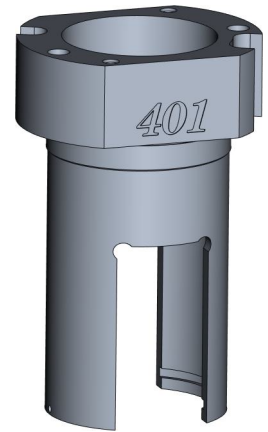
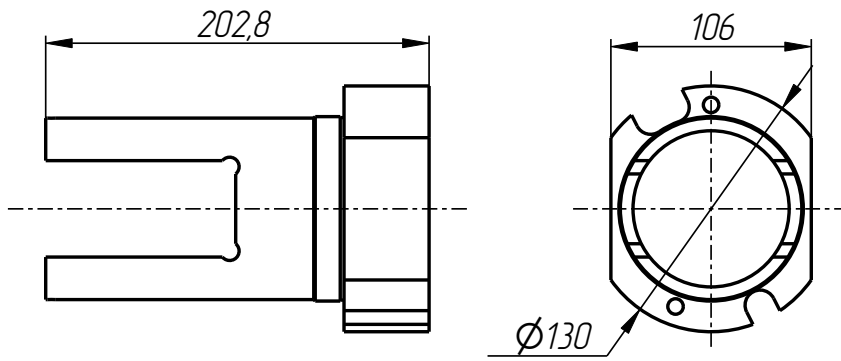
Standard parts:

7	Spring pin $\phi 4 \times 10$ DIN 1481		2
---	--	--	---

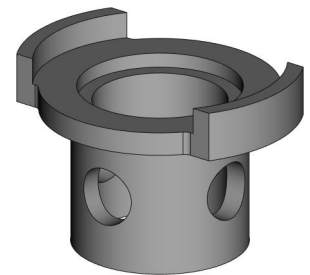
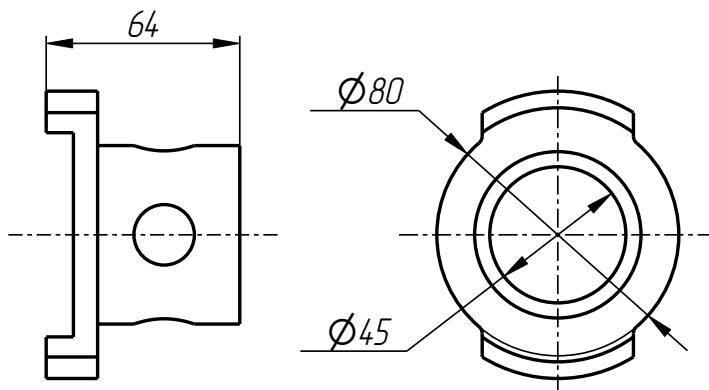
PPL-401-040

Cartridge /  
Plunger Positioner  
(GPSM-MRN-401-90\_000\_00-01-BB)  
PPL-401-040

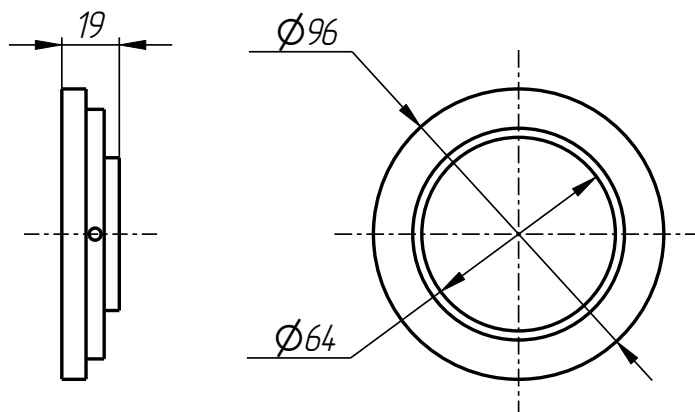
401



Main body  
PPL-401-005-001



Sleeve  
PPL-401-034-002

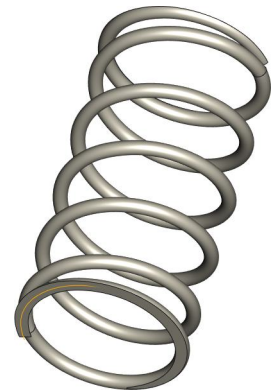
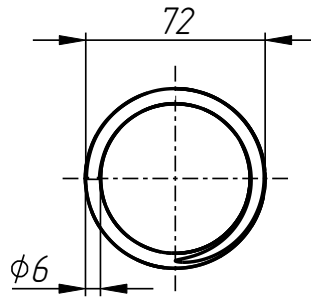
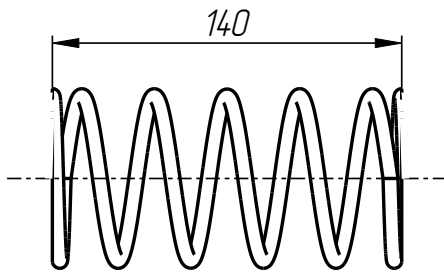


Spring retainer  
PPL-401-005-004

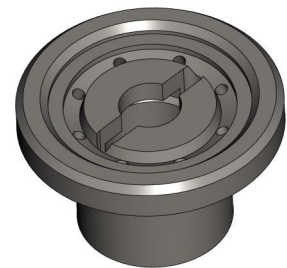
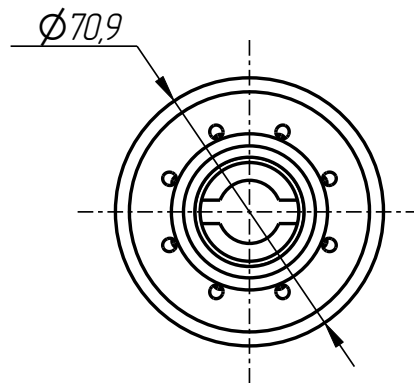
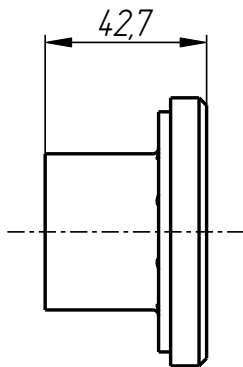
PPL-401-040

Cartridge /  
Plunger Positioner  
(GPSM-MRN-401-90\_000\_00-01-BB)  
PPI-401-040

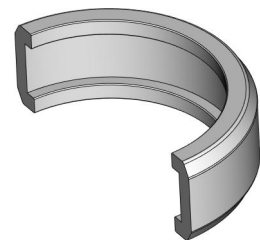
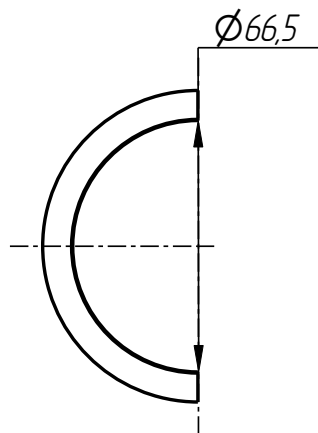
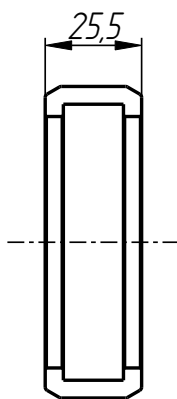
401



Spring  
PPI-401-005-003



Adapter  
PPI-401-004-001



Split ring  
PPI-401-004-002

PPI-401-040