

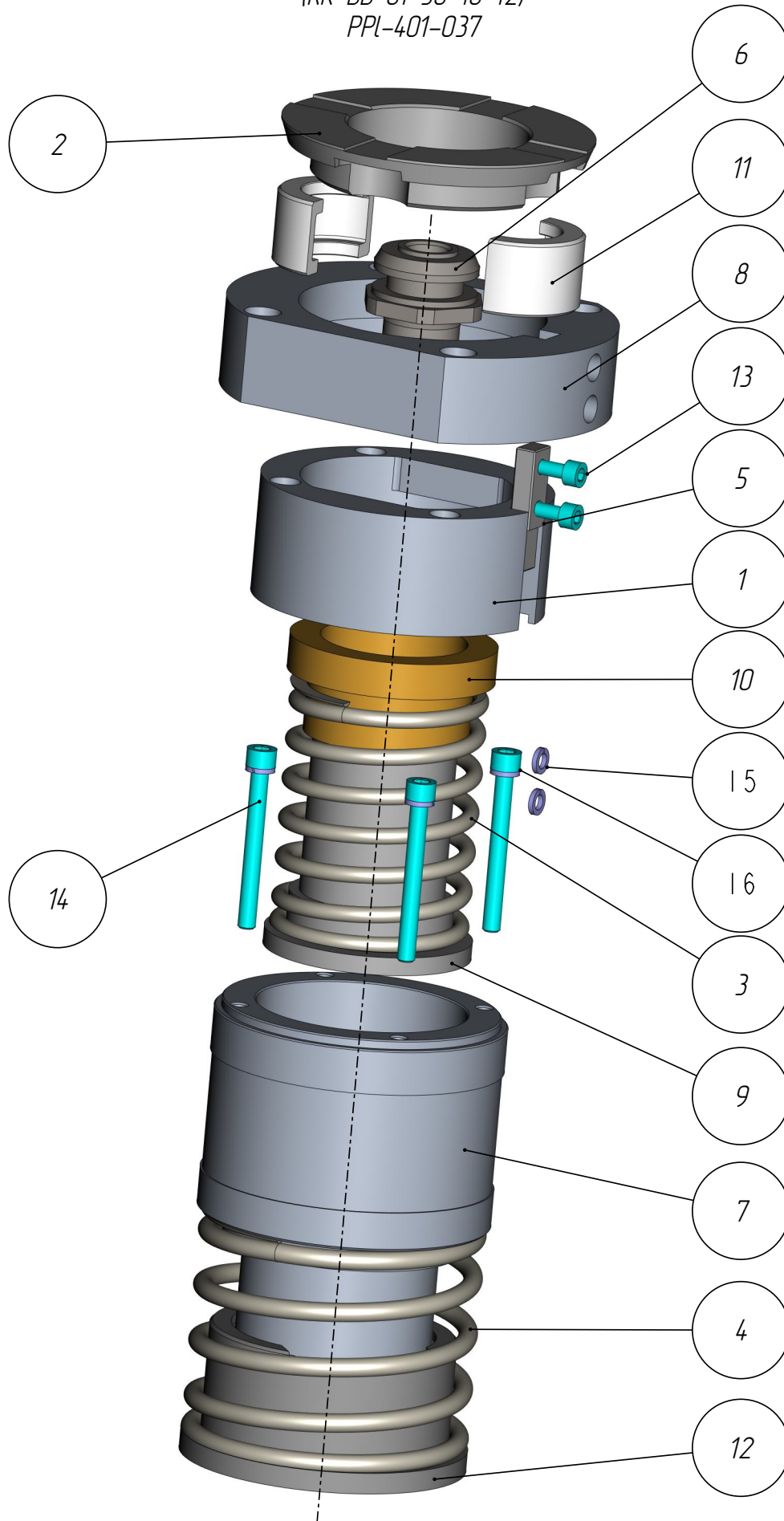
401

PPI-401-037

*Cartridge /
Plunger Positioner
(KR-BB-61-50-10-12)*

Cartridge /
Plunger Positioner
(KR-BB-61-50-10-12)
PPL-401-037

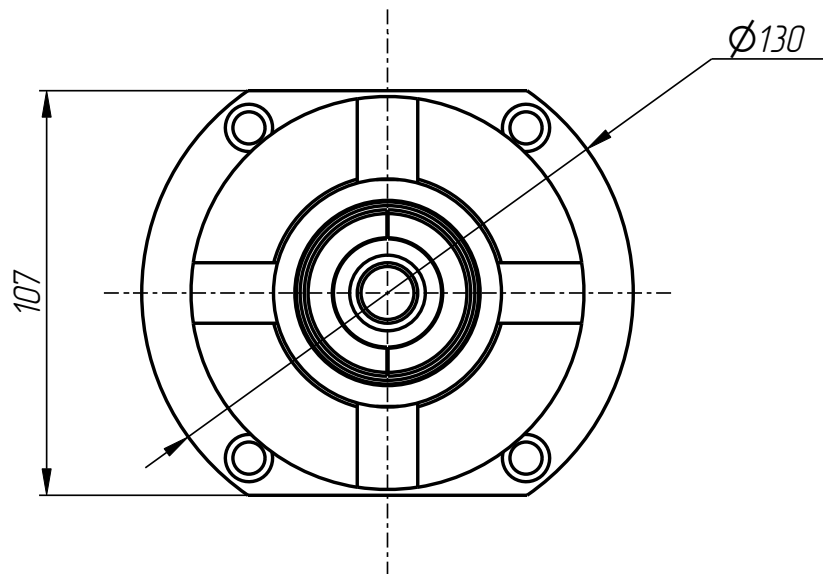
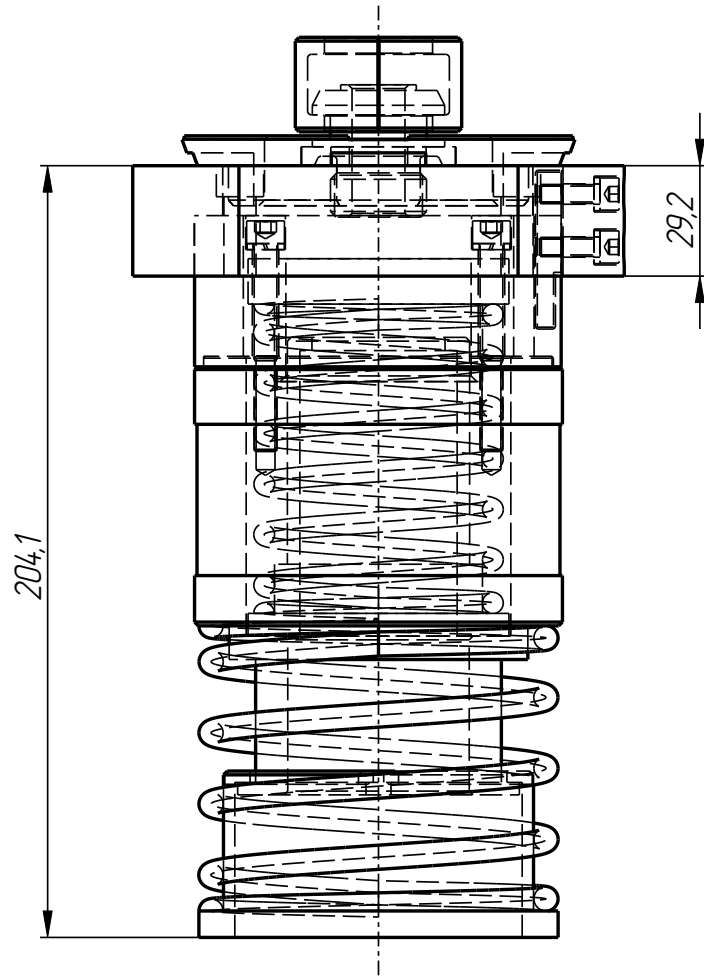
401



PPL-401-037

Cartridge /
Plunger Positioner
(KR-BB-61-50-10-12)
PPI-401-037

401



PPI-401-037

*Cartridge /
Plunger Positioner
(KR-BB-61-50-10-12)
PPL-401-037*

401

PPL-401-037

*Cartridge /
Plunger Positioner
(KR-BB-61-50-10-12)*

Specification

<i>N° pos.</i>	<i>Code</i>	<i>Name</i>	<i>Qty</i>
----------------	-------------	-------------	------------

Parts:

<i>1</i>	<i>PPL-401-010-002</i>	<i>Cap</i>	<i>1</i>
<i>2</i>	<i>PPL-401-010-005</i>	<i>Ring</i>	<i>1</i>
<i>3</i>	<i>PPL-401-010-007</i>	<i>Spring</i>	<i>1</i>
<i>4</i>	<i>PPL-401-010-008</i>	<i>Spring</i>	<i>1</i>
<i>5</i>	<i>PPL-401-010-009</i>	<i>Holding plate</i>	<i>1</i>
<i>6</i>	<i>PPL-401-010-011</i>	<i>Adapter</i>	<i>1</i>
<i>7</i>	<i>PPL-401-013-001</i>	<i>Main body</i>	<i>1</i>
<i>8</i>	<i>PPL-401-013-002</i>	<i>Flange</i>	<i>1</i>
<i>9</i>	<i>PPL-401-013-004</i>	<i>Sleeve</i>	<i>1</i>
<i>10</i>	<i>PPL-401-013-005</i>	<i>Bushing</i>	<i>1</i>
<i>11</i>	<i>PPL-401-013-006</i>	<i>Split ring</i>	<i>2</i>
<i>12</i>	<i>PPL-401-037-001</i>	<i>Spring retainer</i>	<i>1</i>

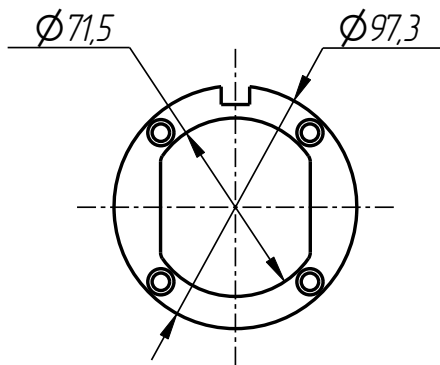
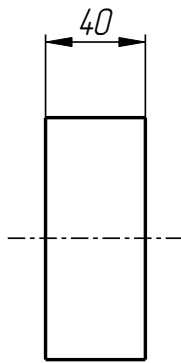
Standard parts:

<i>13</i>	<i>Screw M5x16 DIN 912</i>	<i>2</i>
<i>14</i>	<i>Screw M6x55 DIN 912</i>	<i>4</i>
<i>15</i>	<i>Spring washer DIN 7980-5</i>	<i>2</i>
<i>16</i>	<i>Spring washer DIN 7980-6</i>	<i>4</i>

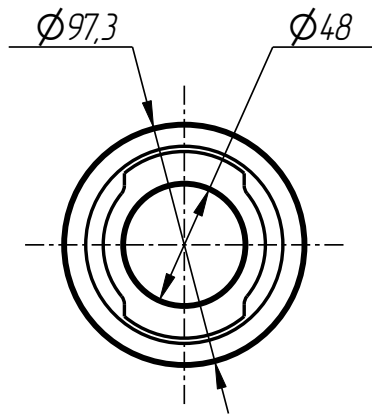
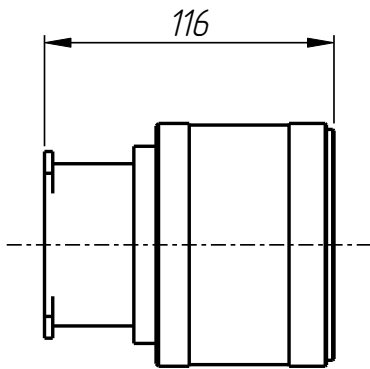
PPL-401-037

Cartridge /
Plunger Positioner
(KR-BB-61-50-10-12)
PPL-401-037

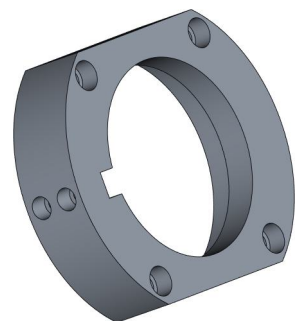
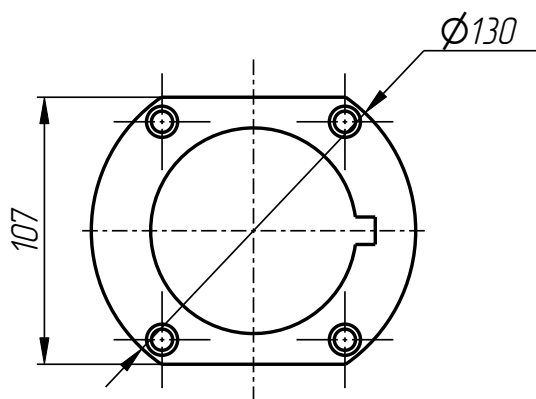
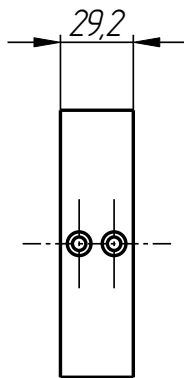
401



Cap
PPL-401-010-002



Main body
PPL-401-013-001

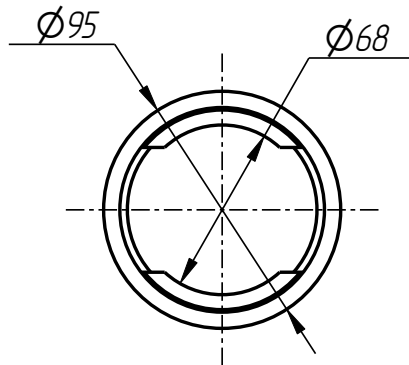
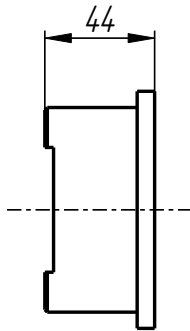


Flange
PPL-401-013-002

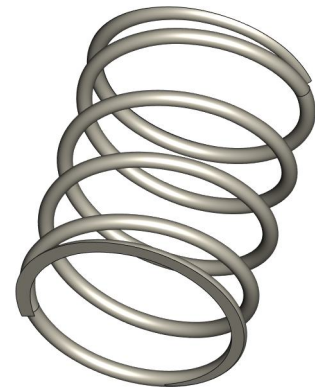
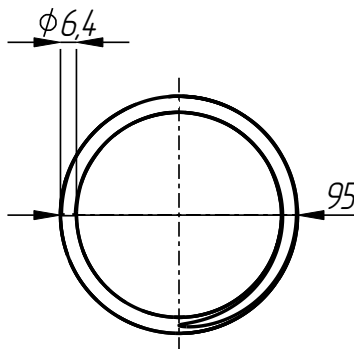
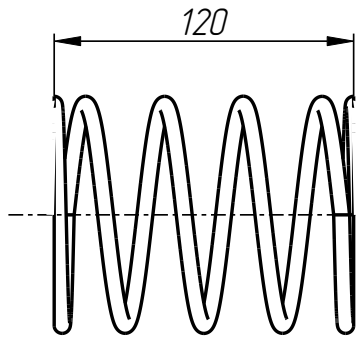
PPL-401-037

Cartridge /
Plunger Positioner
(KR-BB-61-50-10-12)
PPL-401-037

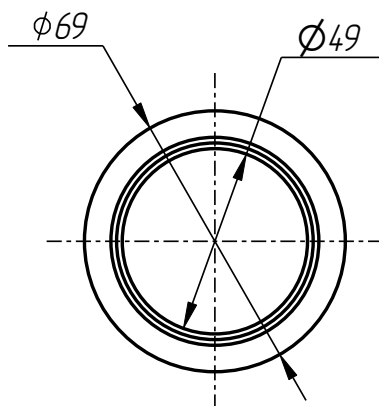
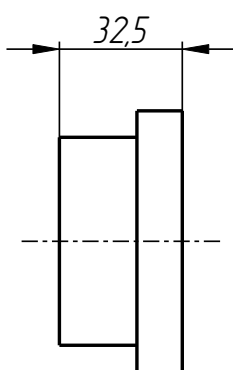
401



Spring retainer
PPL-401-037-001



Spring
PPL-401-010-008

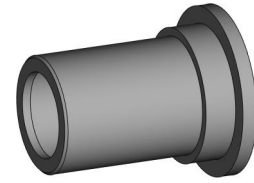
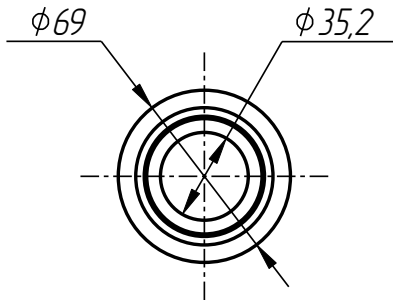
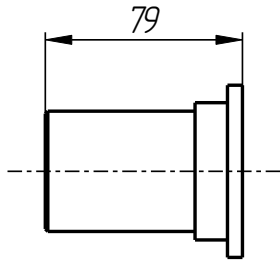


Bushing
PPL-401-013-005

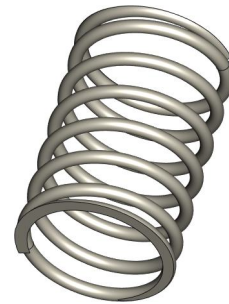
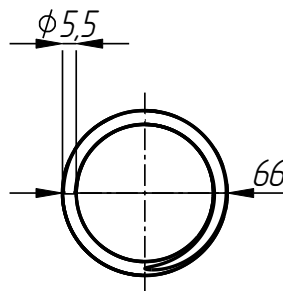
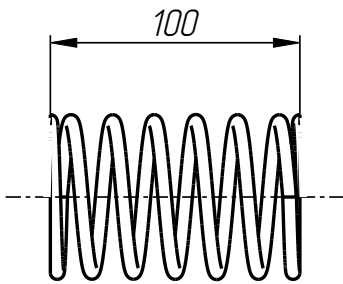
PPL-401-037

Cartridge /
Plunger Positioner
(KR-BB-61-50-10-12)
PPL-401-037

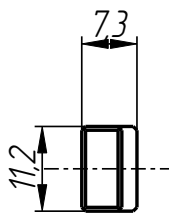
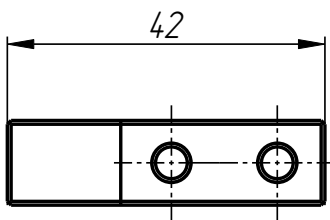
401



Sleeve
PPL-401-013-004



Spring
PPL-401-010-007

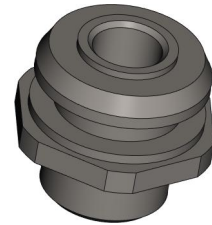
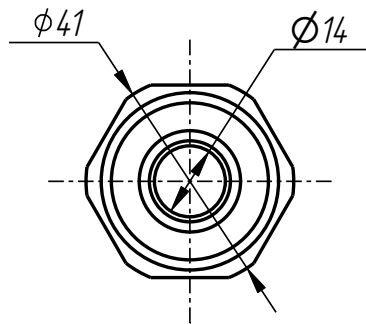
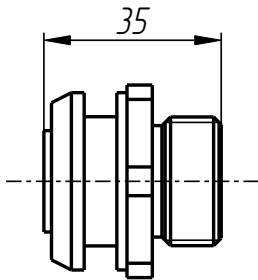


Holding plate
PPL-401-010-009

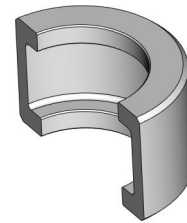
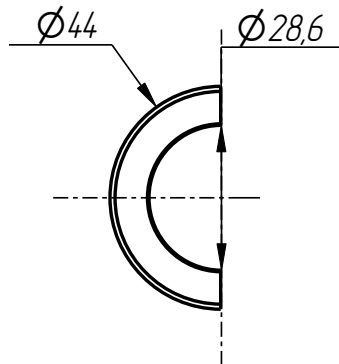
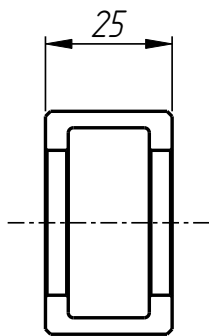
PPL-401-037

Cartridge /
Plunger Positioner
(KR-BB-61-50-10-12)
PPL-401-037

401



Adapter
PPL-401-010-011



Split ring
PPL-401-013-006

PPL-401-037