

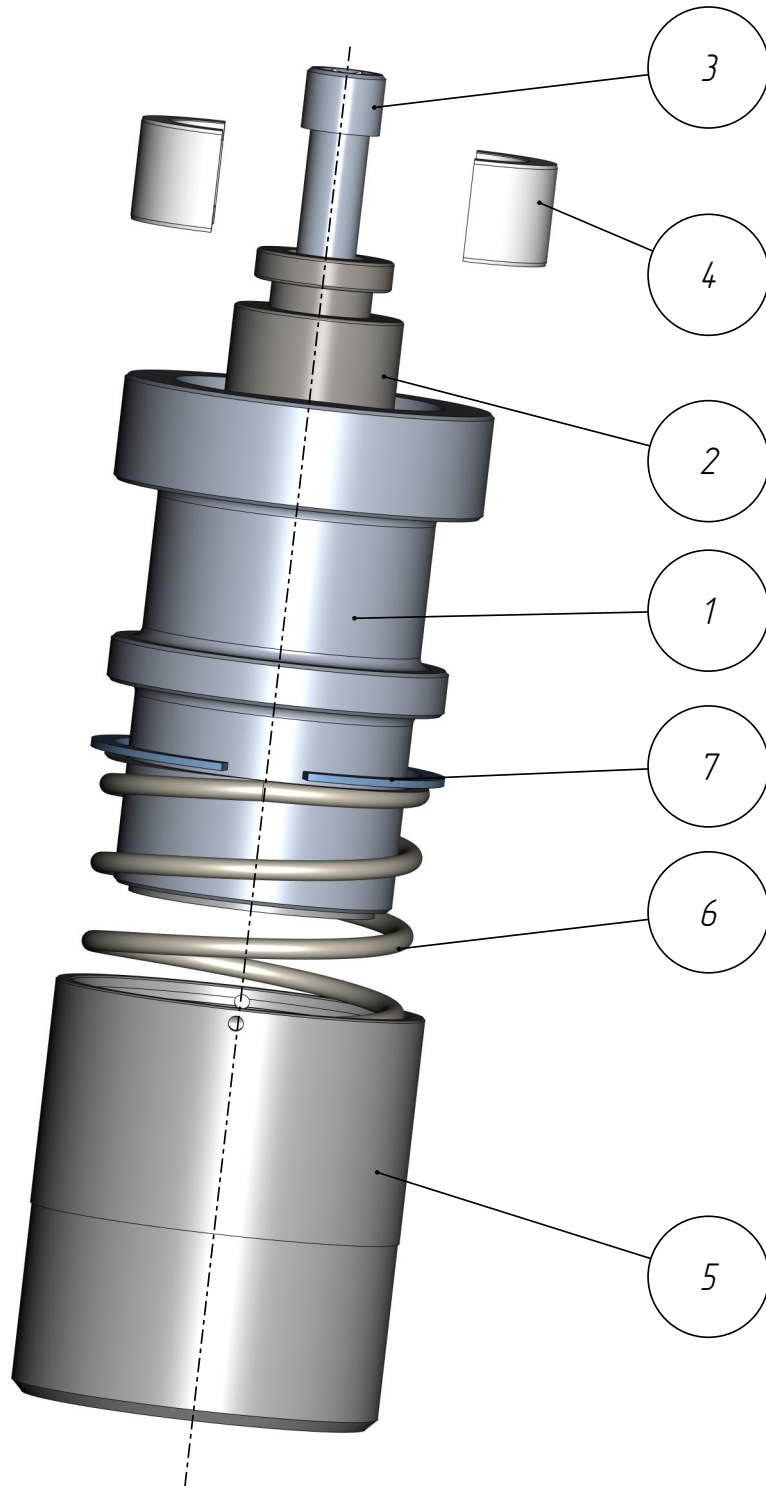
401

PPL-401-031

*Cartridge /
Plunger Positioner
(62-D-3036-BB)*

Cartridge /
Plunger Positioner
(62-D-3036-BB)
PPL-401-031

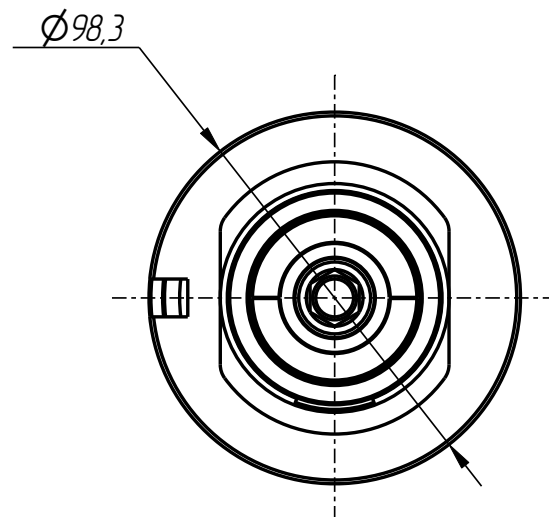
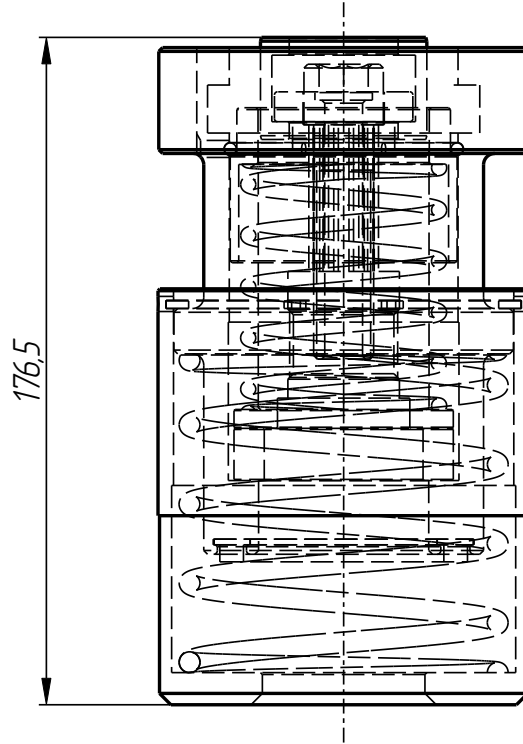
401



PPL-401-031

Cartridge /
Plunger Positioner
(62-D-3036-BB)
PPL-401-031

401



PPL-401-031

Cartridge /
Plunger Positioner
(62-D-3036-BB)
PPL-401-031

401

PPL-401-031

Cartridge /
Plunger Positioner
(62-D-3036-BB)

Specification

| N ^o pos. | Code | Name | Qty |
|---------------------|------|------|-----|
|---------------------|------|------|-----|

Сборочные единицы:

| | | | |
|---|-----------------|------------|---|
| 1 | PPL-401-031-003 | upper part | 1 |
|---|-----------------|------------|---|

Parts:

| | | | |
|---|-----------------|---------------|---|
| 2 | PPL-401-011-007 | Adapter | 1 |
| 3 | PPL-401-011-010 | Screw adapter | 1 |
| 4 | PPL-401-011-013 | Split ring | 2 |
| 5 | PPL-401-031-001 | Main body | 1 |
| 6 | PPL-401-031-002 | Spring | 1 |

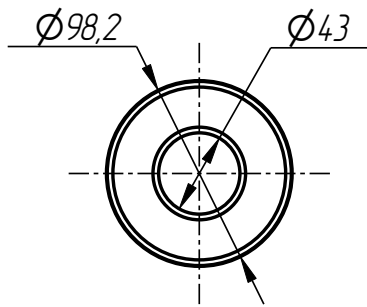
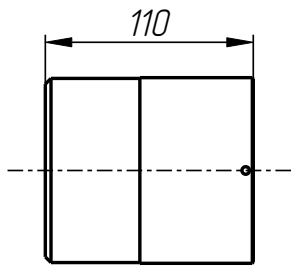
Standard parts:

| | | | |
|---|------------------------|--|---|
| 7 | Ring A90 ГОСТ 13941-86 | | 1 |
|---|------------------------|--|---|

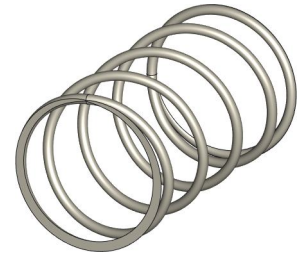
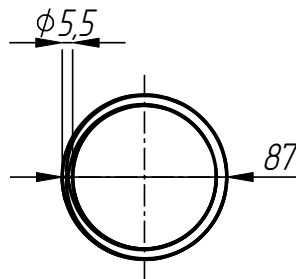
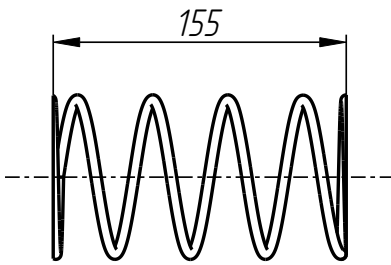
PPL-401-031

Cartridge /
Plunger Positioner
(62-D-3036-BB)
PPL-401-031

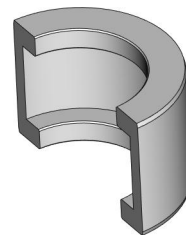
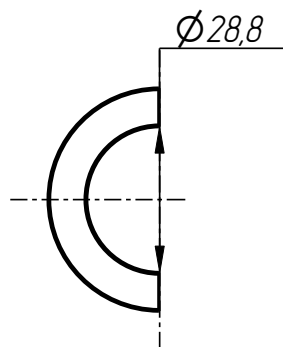
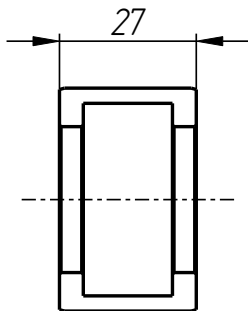
401



Main body
PPL-401-031-001



Spring
PPL-401-031-002

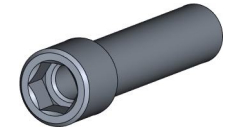
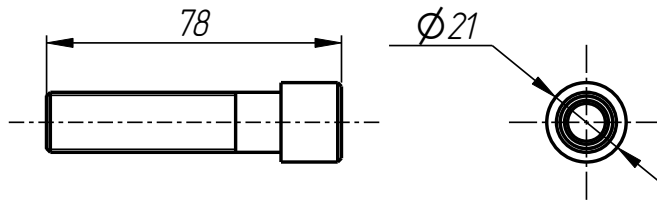


Split ring
PPL-401-011-013

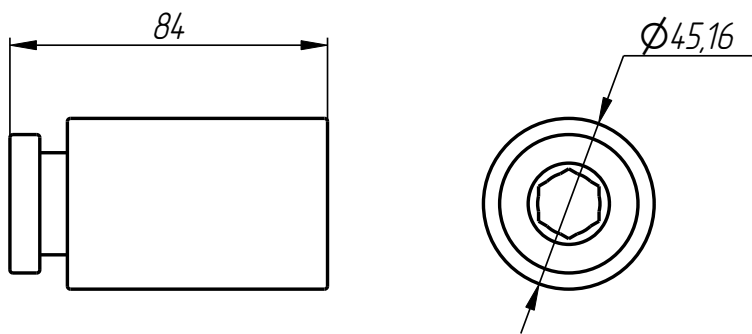
PPL-401-031

Cartridge /
Plunger Positioner
(62-D-3036-BB)
PPL-401-031

401

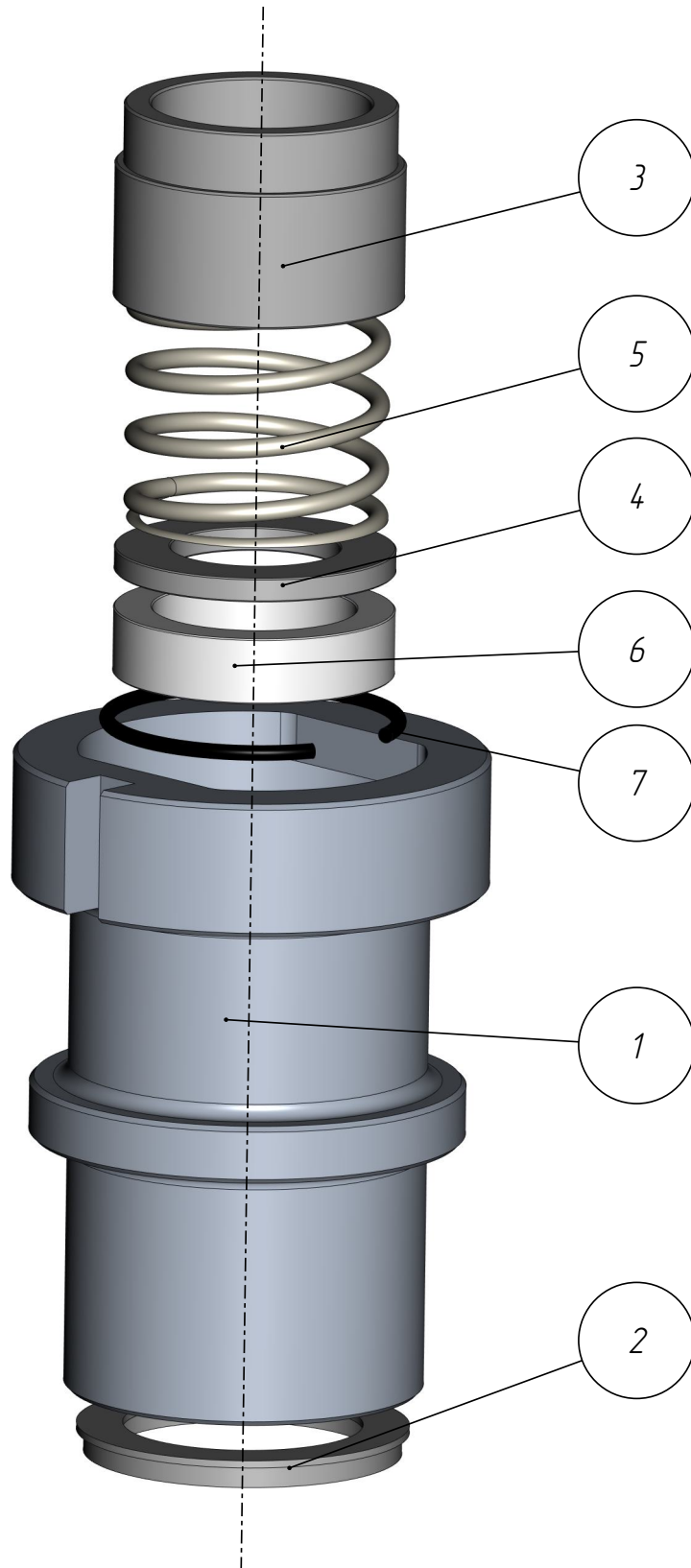


Screw adapter
PPL-401-011-010



Adapter
PPL-401-011-007

PPL-401-031



PPL-401-031-003

PPL-401-031-003

upper part

Specification

| <i>Nº pos.</i> | <i>Code</i> | <i>Name</i> | <i>Qty</i> |
|----------------|-------------|-------------|------------|
|----------------|-------------|-------------|------------|

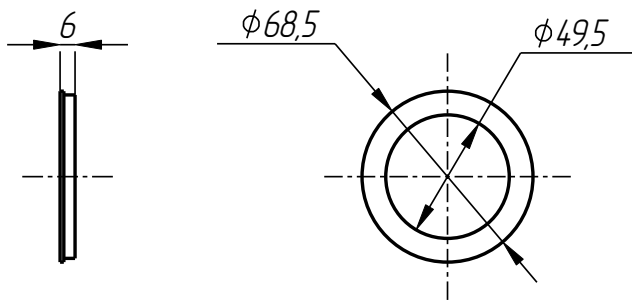
Parts:

| | | | |
|----------|----------------------------|--------------------|----------|
| <i>1</i> | <i>PPL-401-031-003-001</i> | <i>Main body</i> | <i>1</i> |
| <i>2</i> | <i>PPL-401-031-003-002</i> | <i>Ring</i> | <i>1</i> |
| <i>3</i> | <i>PPL-401-031-003-004</i> | <i>Sleeve</i> | <i>1</i> |
| <i>4</i> | <i>PPL-401-031-003-005</i> | <i>Ring</i> | <i>1</i> |
| <i>5</i> | <i>PPL-401-031-003-006</i> | <i>Spring</i> | <i>1</i> |
| <i>6</i> | <i>PPL-401-031-003-007</i> | <i>Space plate</i> | <i>1</i> |

Standard parts:

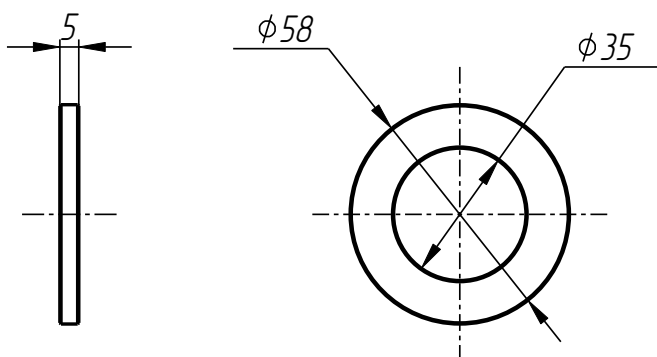
| | | | |
|----------|--------------------------------|--|----------|
| <i>7</i> | <i>Sprenging B 60 DIN 7993</i> | | <i>1</i> |
|----------|--------------------------------|--|----------|

upper part
PPL-401-031-003



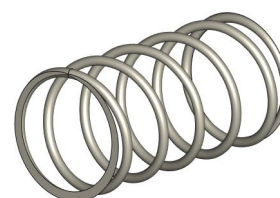
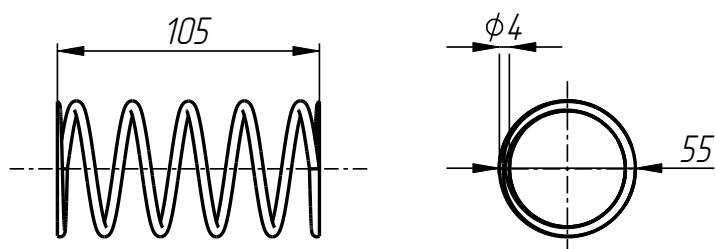
Ring

PPL-401-031-003-002



Ring

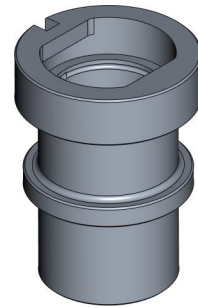
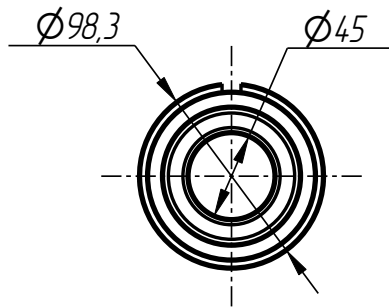
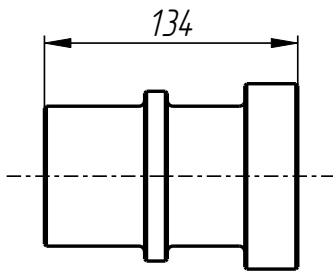
PPL-401-031-003-005



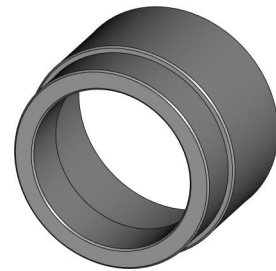
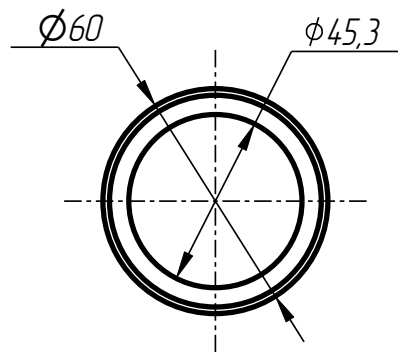
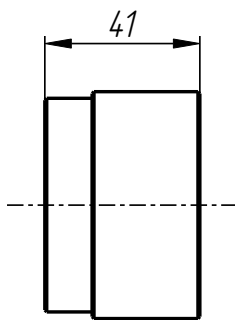
Spring

PPL-401-031-003-006

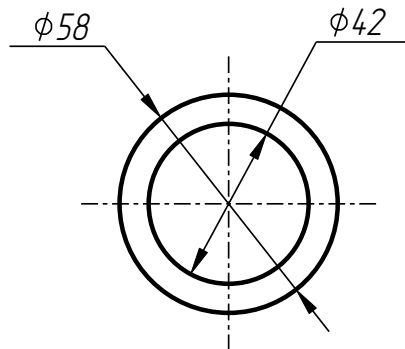
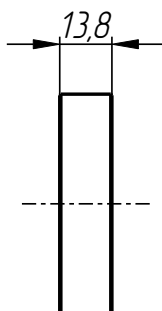
PPL-401-031-003



Main body
PPL-401-031-003-001



Sleeve
PPL-401-031-003-004



Space plate
PPL-401-031-003-007