

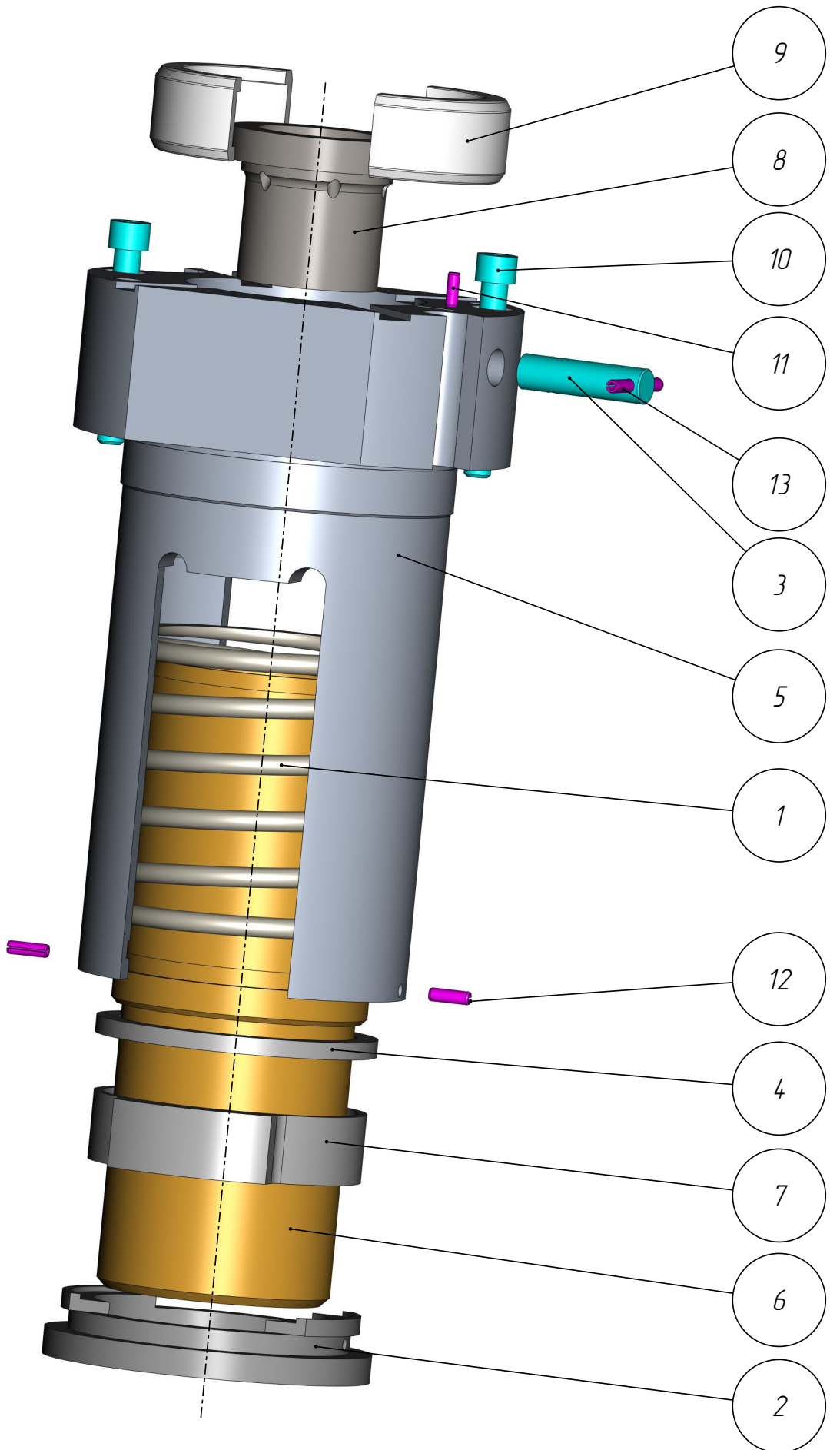
401

PPI-401-030

*Cartridge /
Plunger Positioner 70
(MRN-401-70_000_AL_SS)*

Cartridge /
Plunger Positioner 70
(MRN-401-70_000_AL_SS)
PPI-401-030

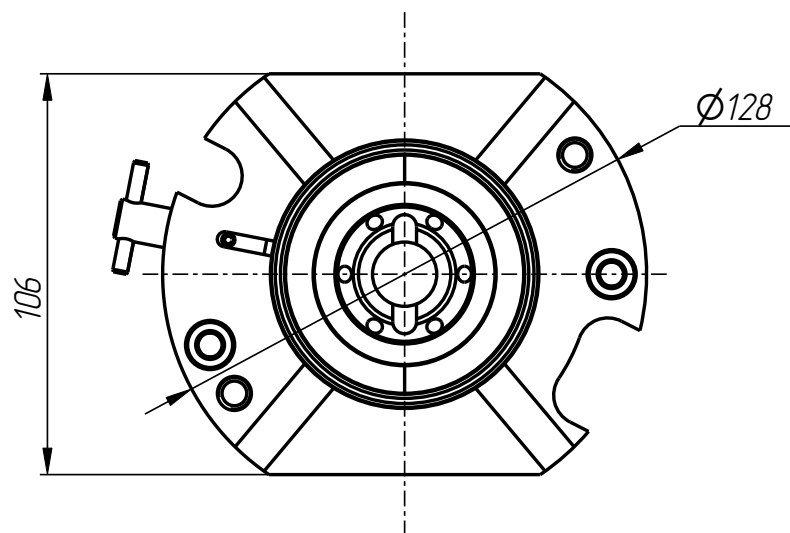
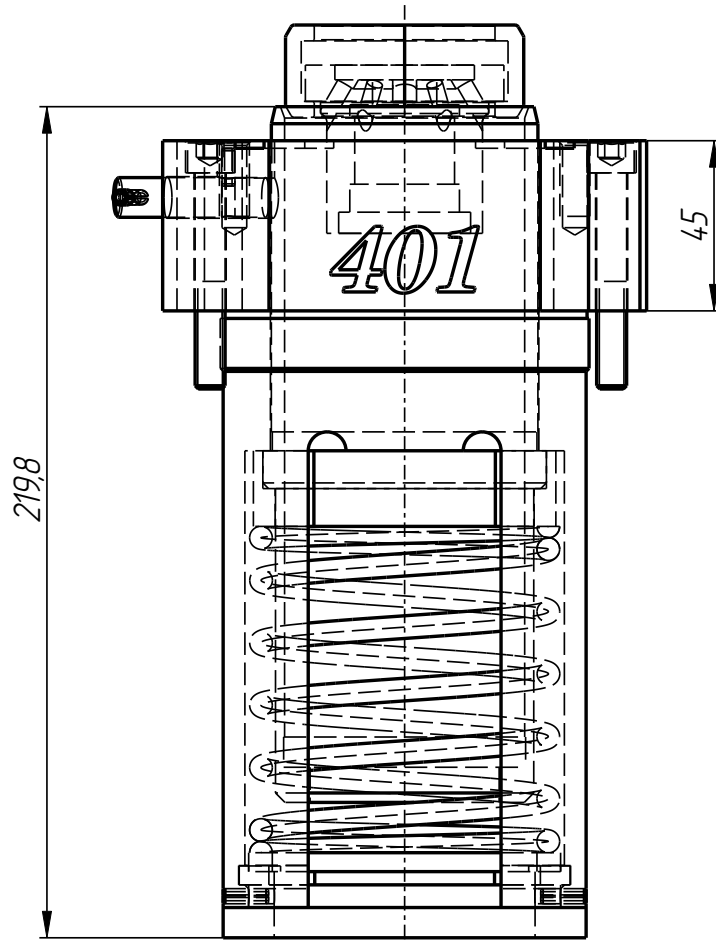
401



PPI-401-030

Cartridge /
Plunger Positioner 70
(MRN-401-70_000_AL_SS)
PPI-401-030

401



PPI-401-030

Cartridge /
Plunger Positioner 70
(MRN-401-70_000_AL_SS)
PPL-401-030

401

PPL-401-030

Cartridge /
Plunger Positioner 70
(MRN-401-70_000_AL_SS)
Specification

N° pos.	Code	Name	Qty
---------	------	------	-----

Parts:

1	PPL-401-006-003	Spring	1
2	PPL-401-006-004	Spring retainer	1
3	PPL-401-006-006	Plug	1
4	PPL-401-006-007	supporting ring	1
5	PPL-401-030-001	Main body	1
6	PPL-401-030-002	Bushing	1
7	PPL-401-030-003	Seat	1
8	PPL-401-030-004	Adapter	1
9	PPL-401-030-005	Split ring	2

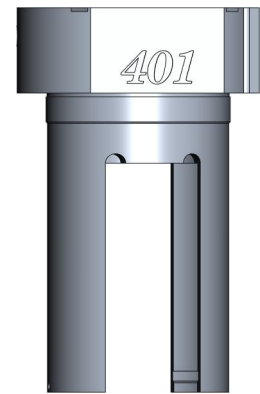
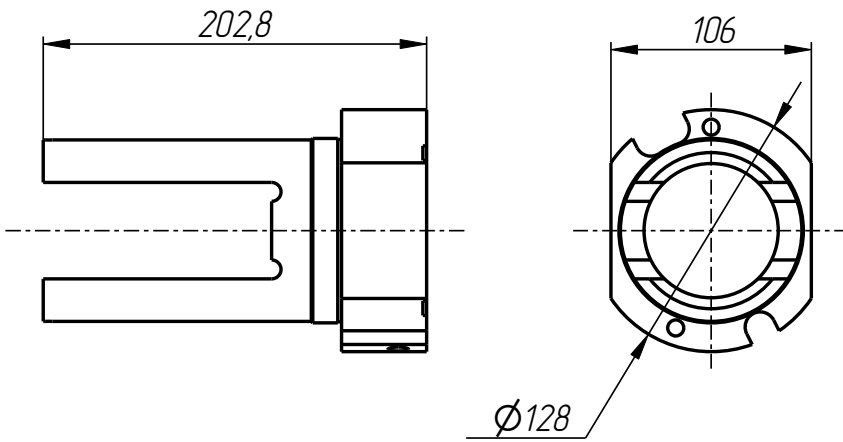
Standard parts:

10	Screw UNC5/16"-18x2 1/4" DIN 912	2
11	Spring pin ϕ 3,5x10 DIN 1481	1
12	Spring pin ϕ 4x12 DIN 1481	2
13	Spring pin ϕ 4x30 DIN 1481	1

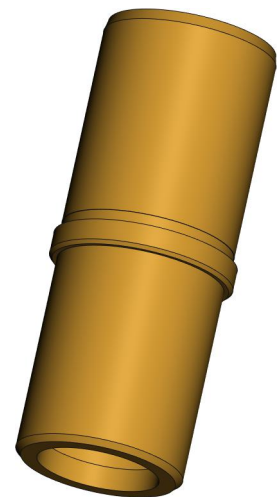
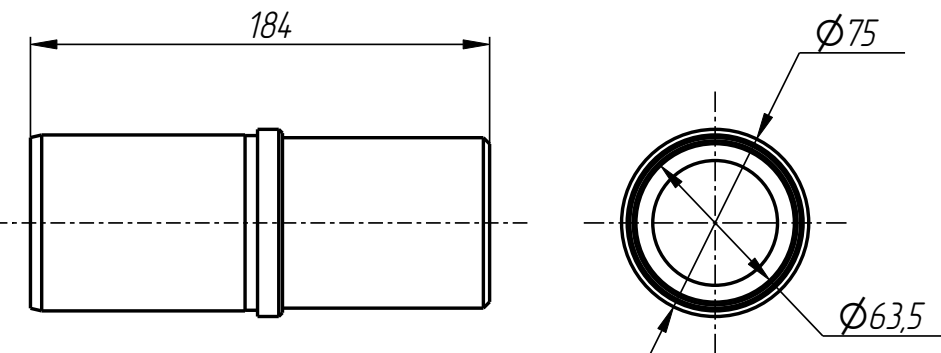
PPL-401-030

Cartridge /
Plunger Positioner 70
(MRN-401-70_000_AL_SS)
PPI-401-030

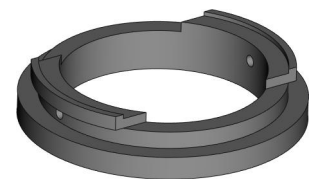
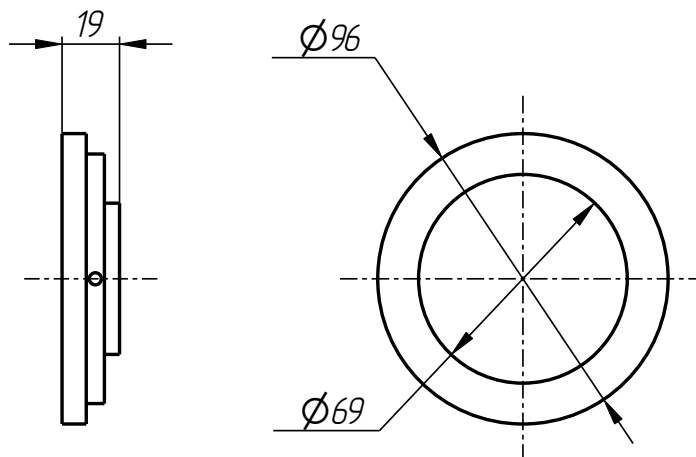
401



Main body
PPI-401-030-001



Bushing
PPI-401-030-002

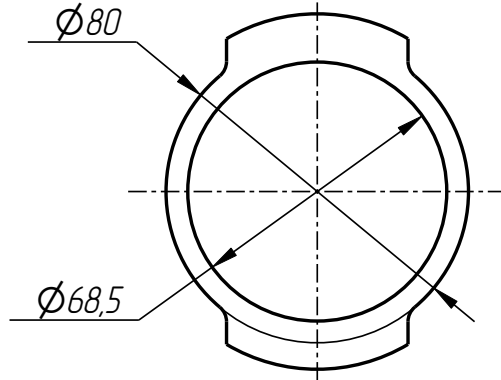
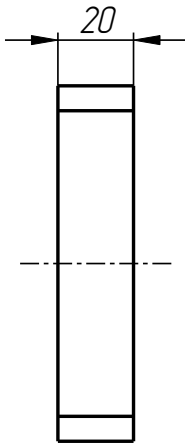


Spring retainer
PPI-401-006-004

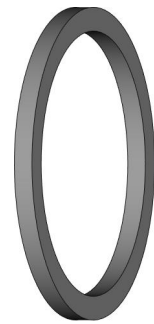
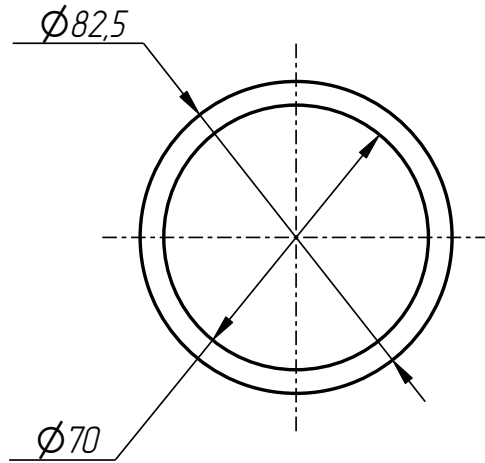
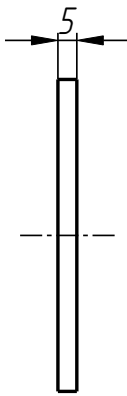
PPI-401-030

Cartridge /
Plunger Positioner 70
(MRN-401-70_000_AL_SS)
PPI-401-030

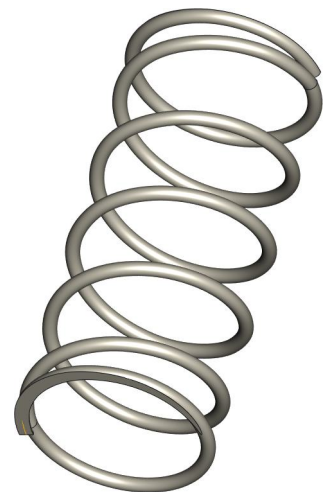
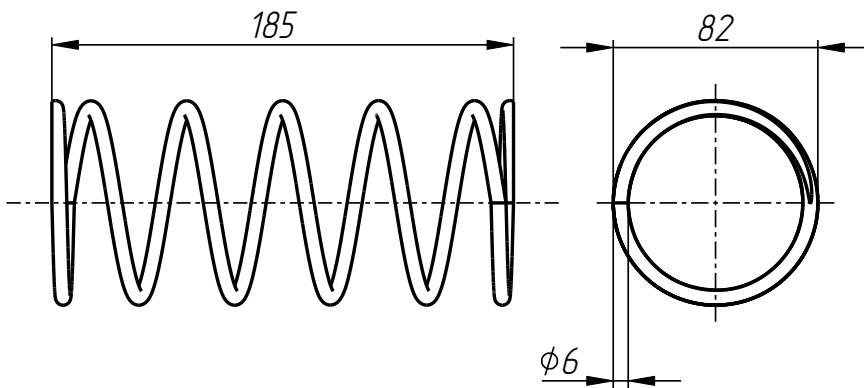
401



Seat
PPI-401-030-003



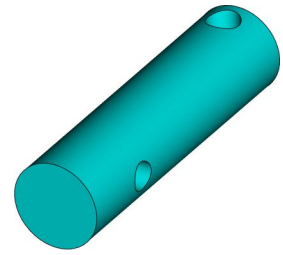
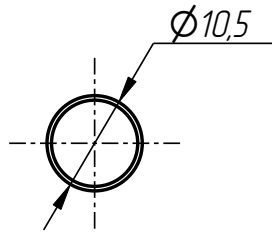
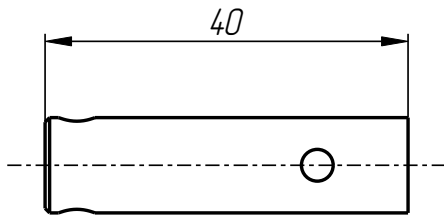
supporting ring
PPI-401-006-007



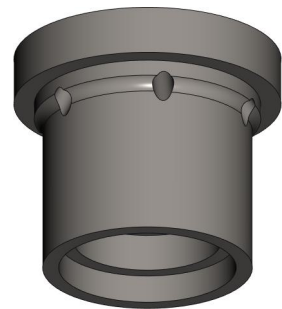
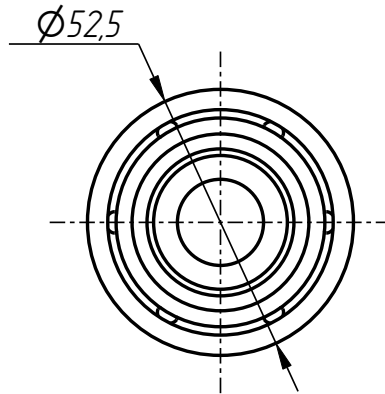
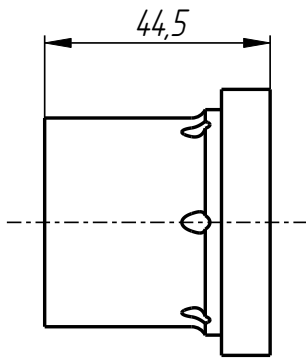
Spring
PPI-401-006-003

Cartridge /
Plunger Positioner 70
(MRN-401-70_000_AL_SS)
PPI-401-030

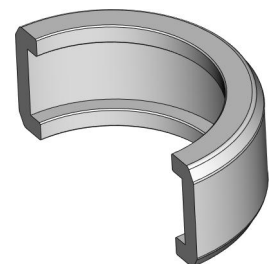
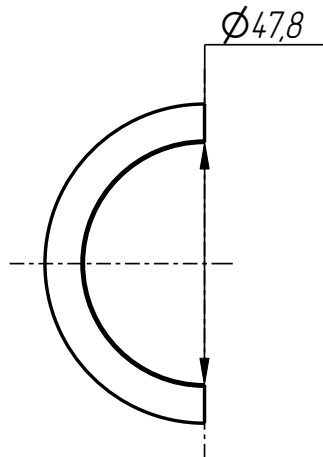
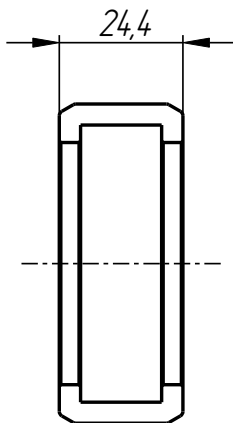
401



Plug
PPI-401-006-006



Adapter
PPI-401-030-004



Split ring
PPI-401-030-005

PPI-401-030