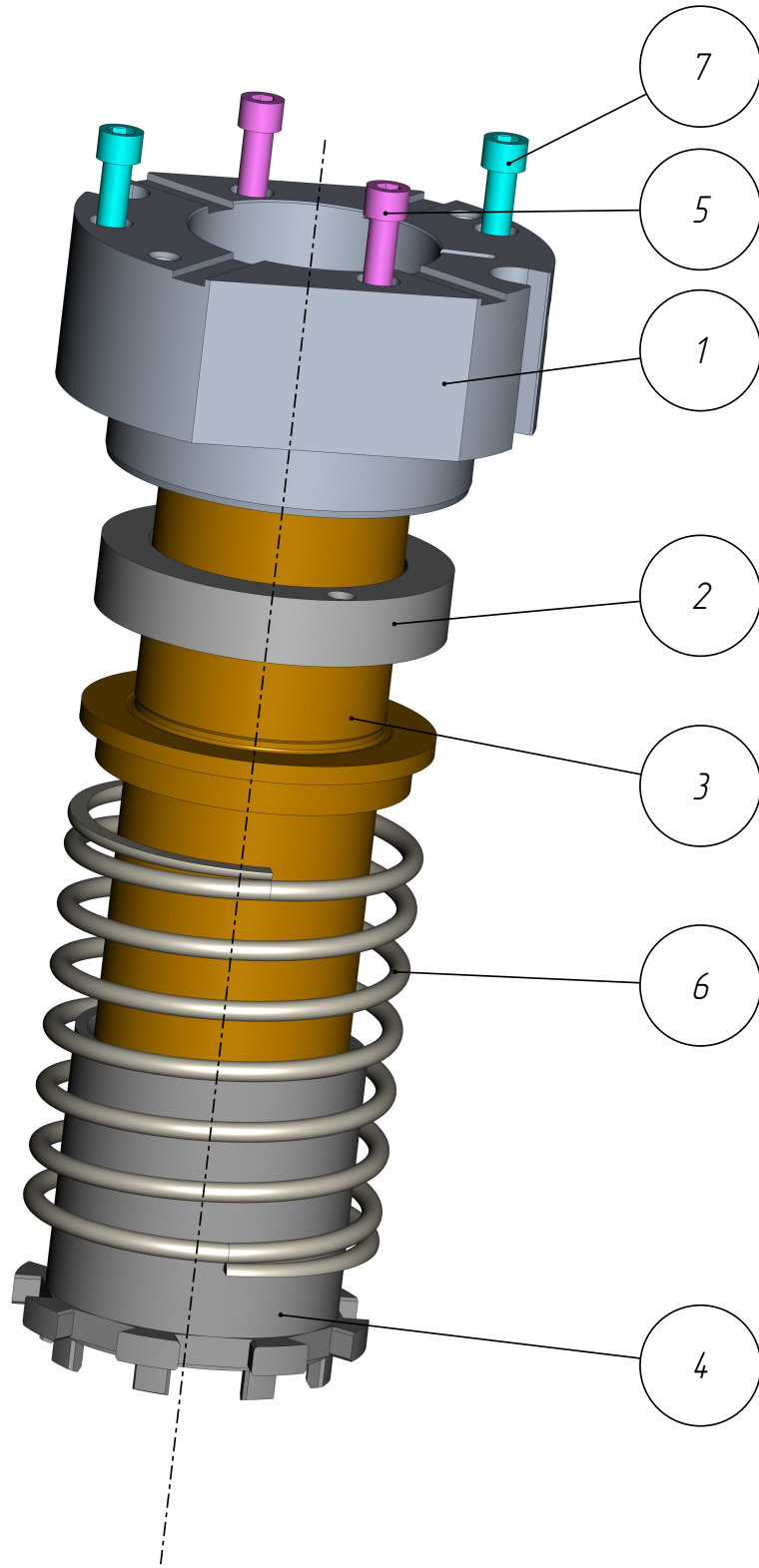


401

*Cartridge /
Plunger Positioner 70
(10_06_00-m1)*

Cartridge /
Plunger Positioner 70
(10_06_00-m1)
PPl-401-028

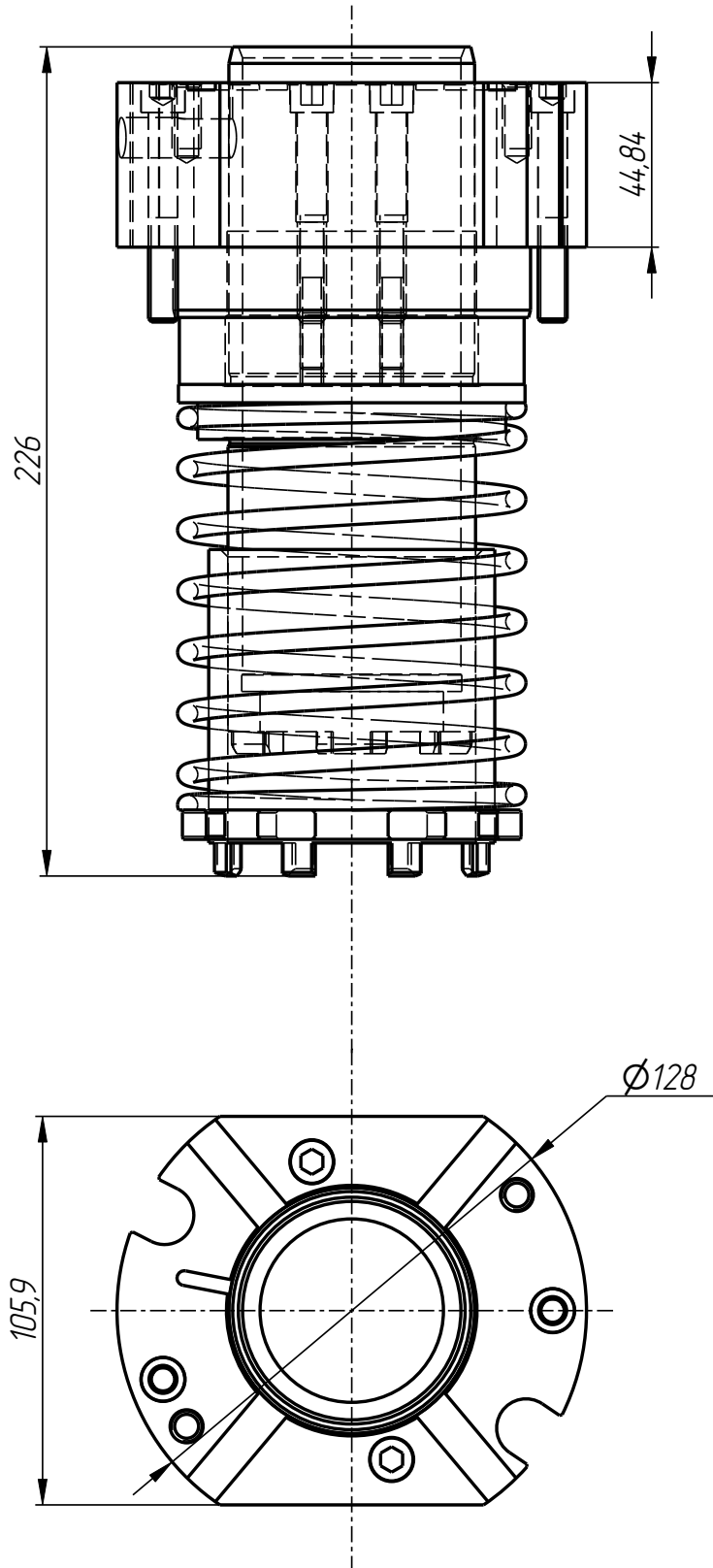
401



PPl-401-028

Cartridge /
Plunger Positioner 70
(10_06_00-m1)
PPl-401-028

401



PPl-401-028

*Cartridge /
Plunger Positioner 70
(10_06_00-m1)
PPl-401-028*

401

PPl-401-028

*Cartridge /
Plunger Positioner 70
(10_06_00-m1)*

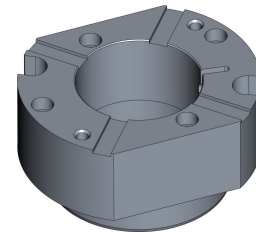
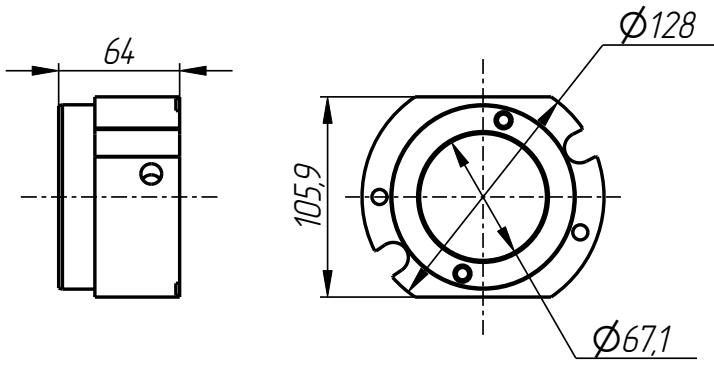
Specification

<i>Nº pos.</i>	<i>Code</i>	<i>Name</i>	<i>Qty</i>
<i>Parts:</i>			
1	PPl-401-012-001	Main body	1
2	PPl-401-012-002	Ring	1
3	PPl-401-012-004	Bushing	1
4	PPl-401-012-005	Sleeve	1
5	PPl-401-012-006	Bolt	2
6	PPl-401-028-001	Spring	1
7	Screw UNC5/16"-18x2 1/4" DIN 912		2

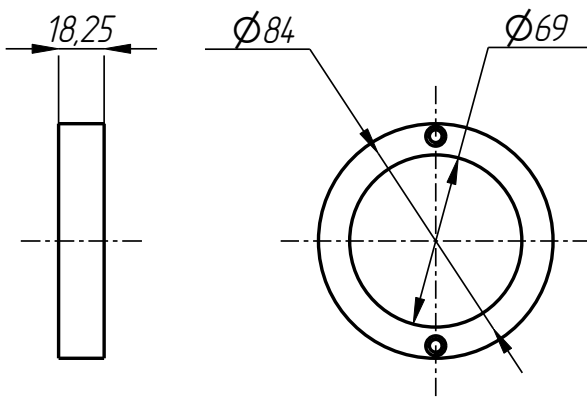
PPl-401-028

Cartridge /
Plunger Positioner 70
(10_06_00-m1)
PPL-401-028

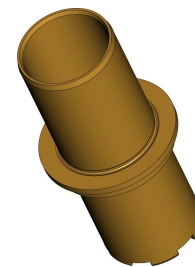
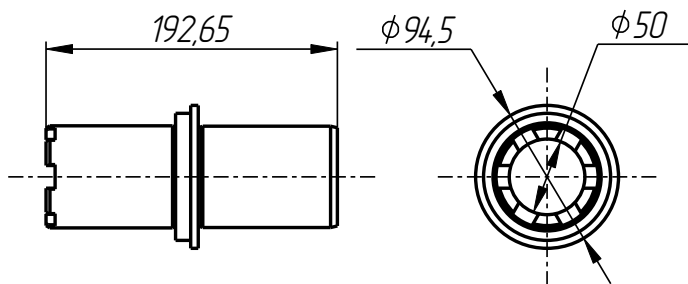
401



Main body
PPL-401-012-001



Ring
PPL-401-012-002

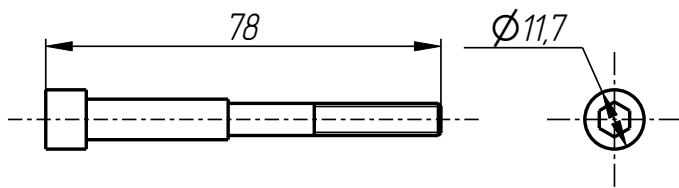


Bushing
PPL-401-012-004

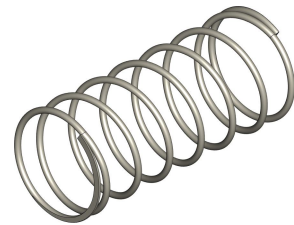
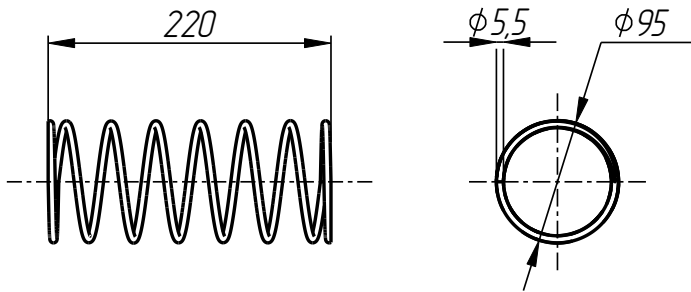
PPL-401-028

Cartridge /
Plunger Positioner 70
(10_06_00-m1)
PPI-401-028

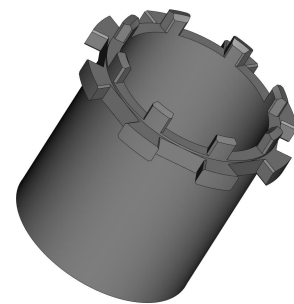
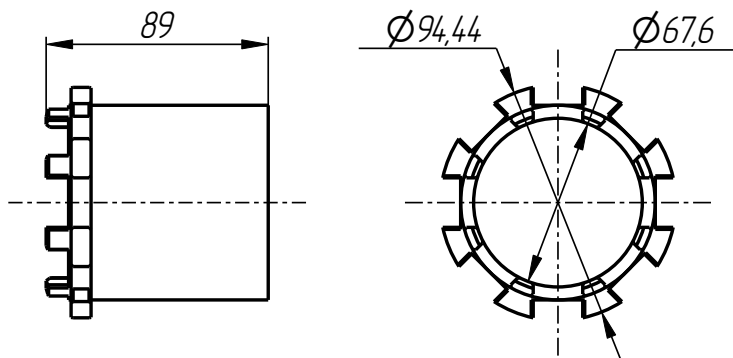
401



Bolt
PPI-401-012-006



Spring
PPI-401-028-001



Sleeve
PPI-401-012-005