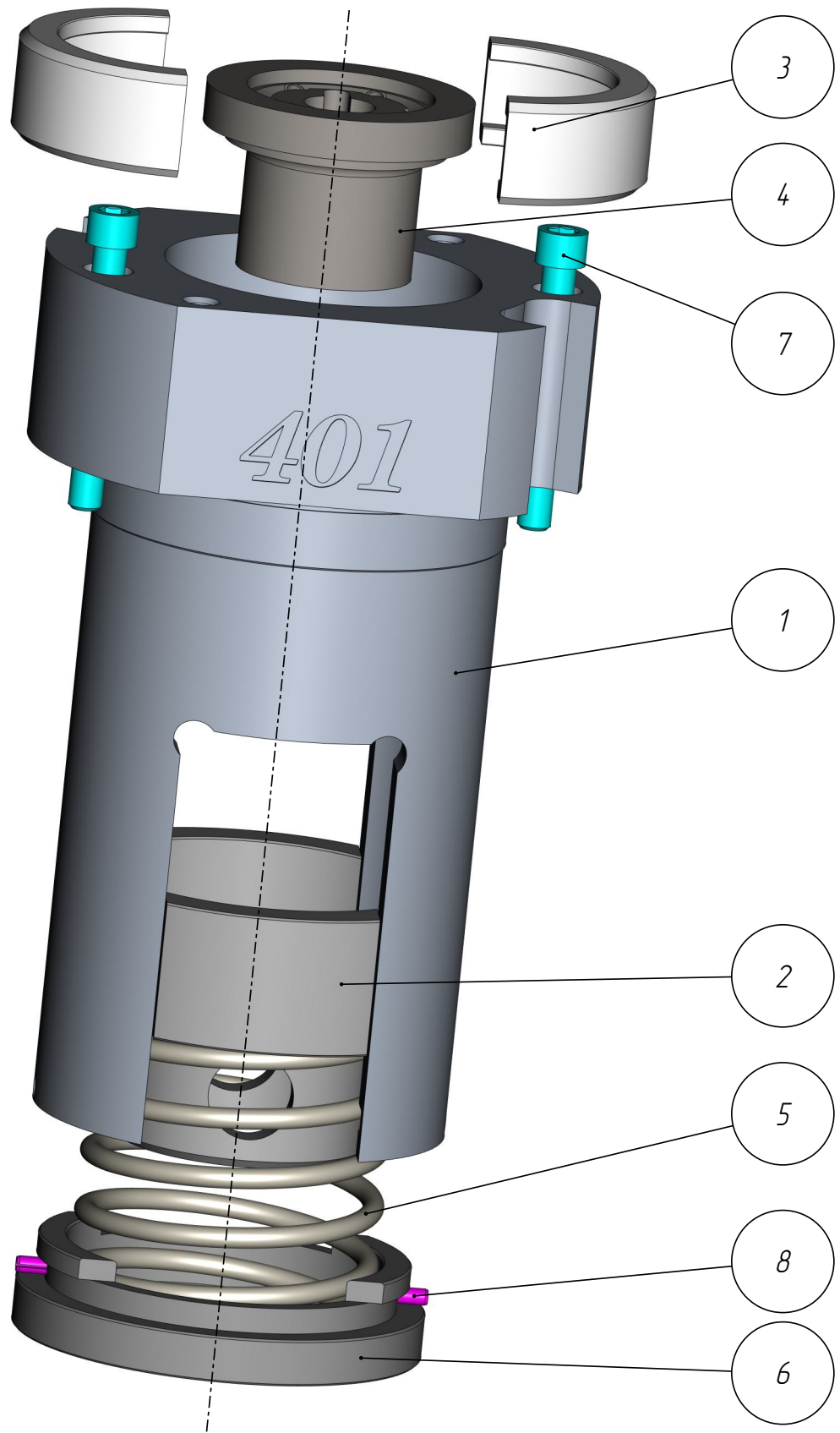


401

*Cartridge /
Plunger Positioner 83
(SP-83)*

Cartridge /
Plunger Positioner 83
(SP-83)
PPI-401-023

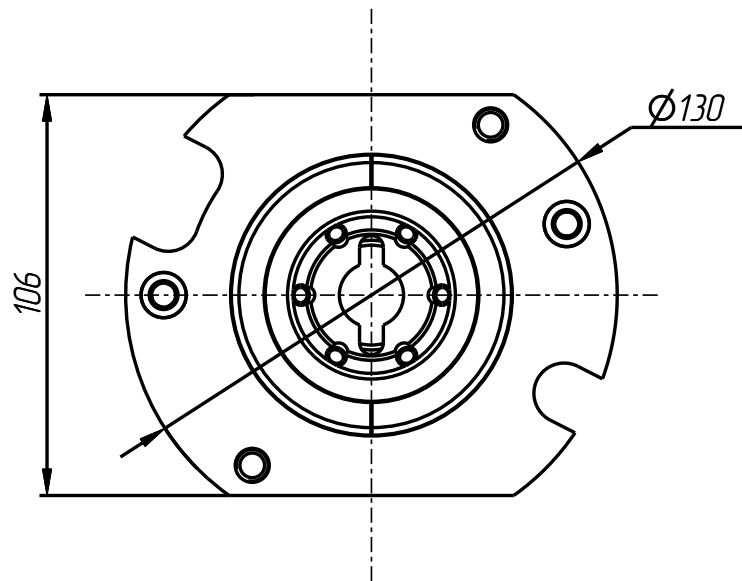
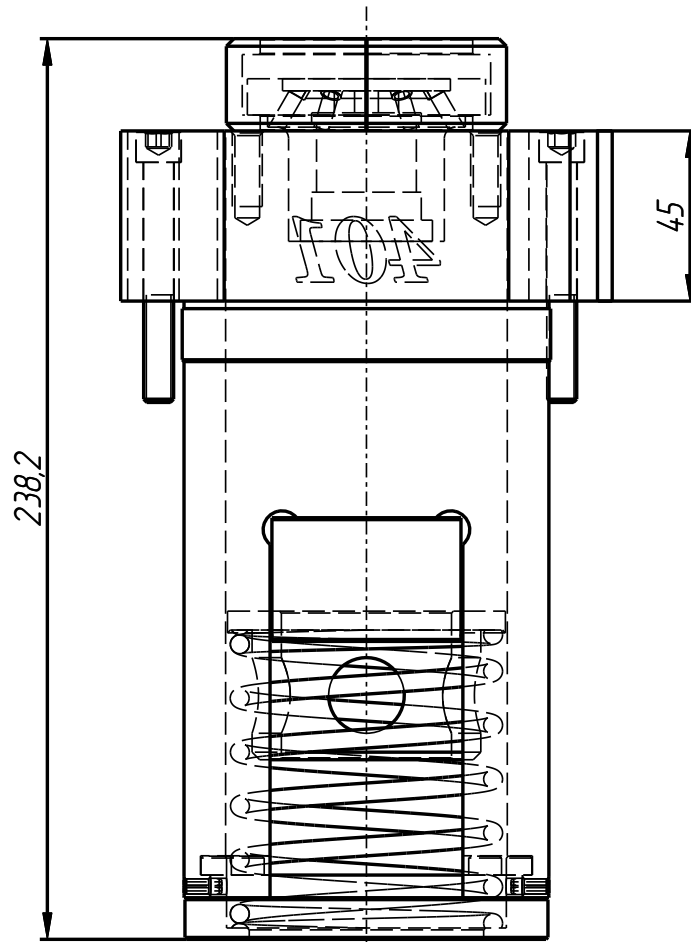
401



PPI-401-023

Cartridge /
Plunger Positioner 83
(SP-83)
PPI-401-023

401



PPI-401-023

*Cartridge /
Plunger Positioner 83
(SP-83)
PPl-401-023*

401

PPl-401-023

*Cartridge /
Plunger Positioner 83
(SP-83)
Specification*

<i>N° pos.</i>	<i>Code</i>	<i>Name</i>	<i>Qty</i>
----------------	-------------	-------------	------------

Parts:

<i>1</i>	<i>PPl-401-023-001</i>	<i>Main body</i>	<i>1</i>
<i>2</i>	<i>PPl-401-023-002</i>	<i>Sleeve</i>	<i>1</i>
<i>3</i>	<i>PPl-401-023-005</i>	<i>Split ring</i>	<i>2</i>
<i>4</i>	<i>PPl-401-023-006</i>	<i>Adapter</i>	<i>1</i>
<i>5</i>	<i>PPl-401-024-003</i>	<i>Spring</i>	<i>1</i>
<i>6</i>	<i>PPl-401-024-004</i>	<i>Spring retainer</i>	<i>1</i>

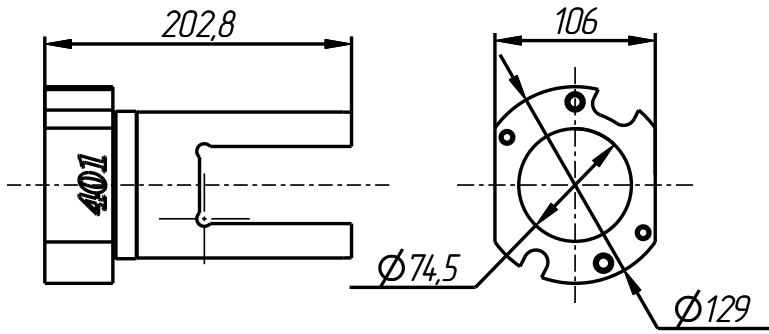
Standard parts:

<i>7</i>	<i>Screw UNC5/16"-18x2 1/2" DIN 912</i>	<i>2</i>
<i>8</i>	<i>Spring pin ϕ4x10 DIN 1481</i>	<i>2</i>

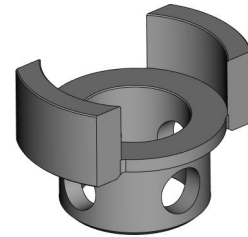
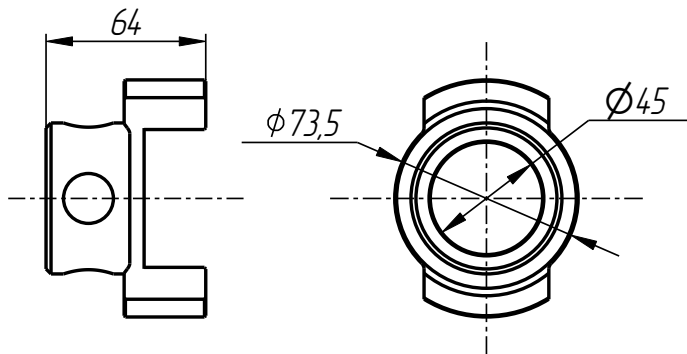
PPl-401-023

Cartridge /
Plunger Positioner 83
(SP-83)
PPL-401-023

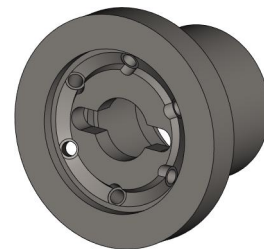
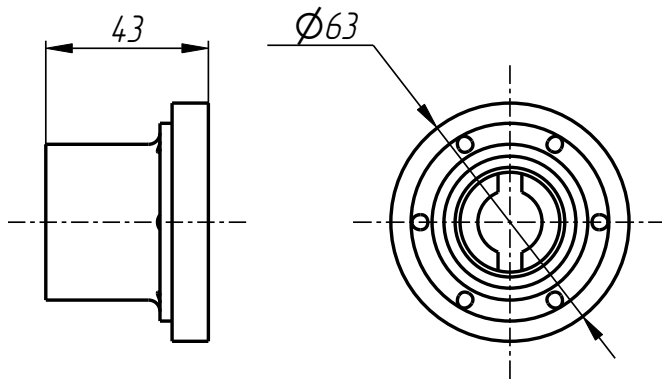
401



Main body
PPL-401-023-001



Sleeve
PPL-401-023-002

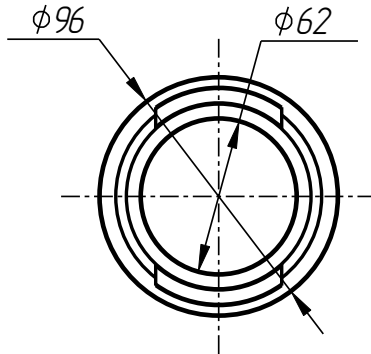
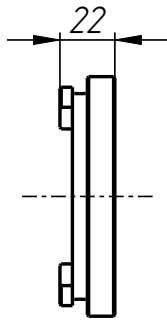


Adapter
PPL-401-023-006

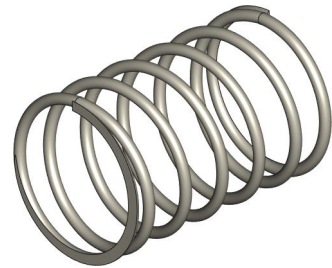
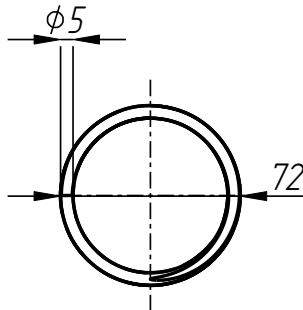
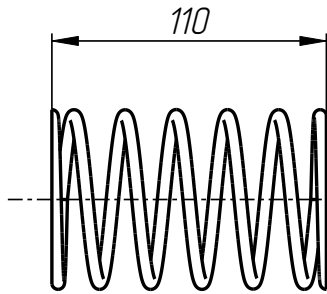
PPL-401-023

Cartridge /
Plunger Positioner 83
(SP-83)
PPL-401-023

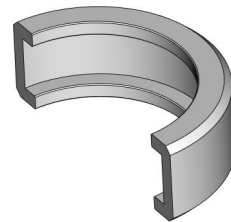
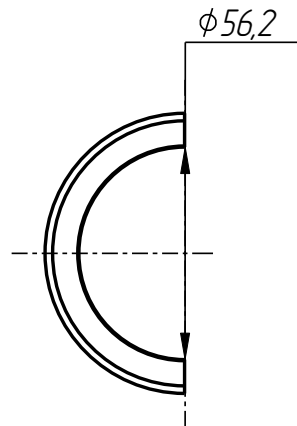
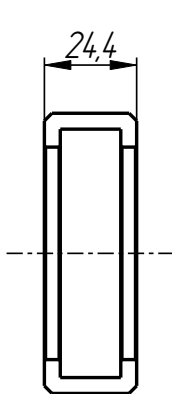
401



Spring retainer
PPL-401-024-004



Spring
PPL-401-024-003



Split ring
PPL-401-023-005