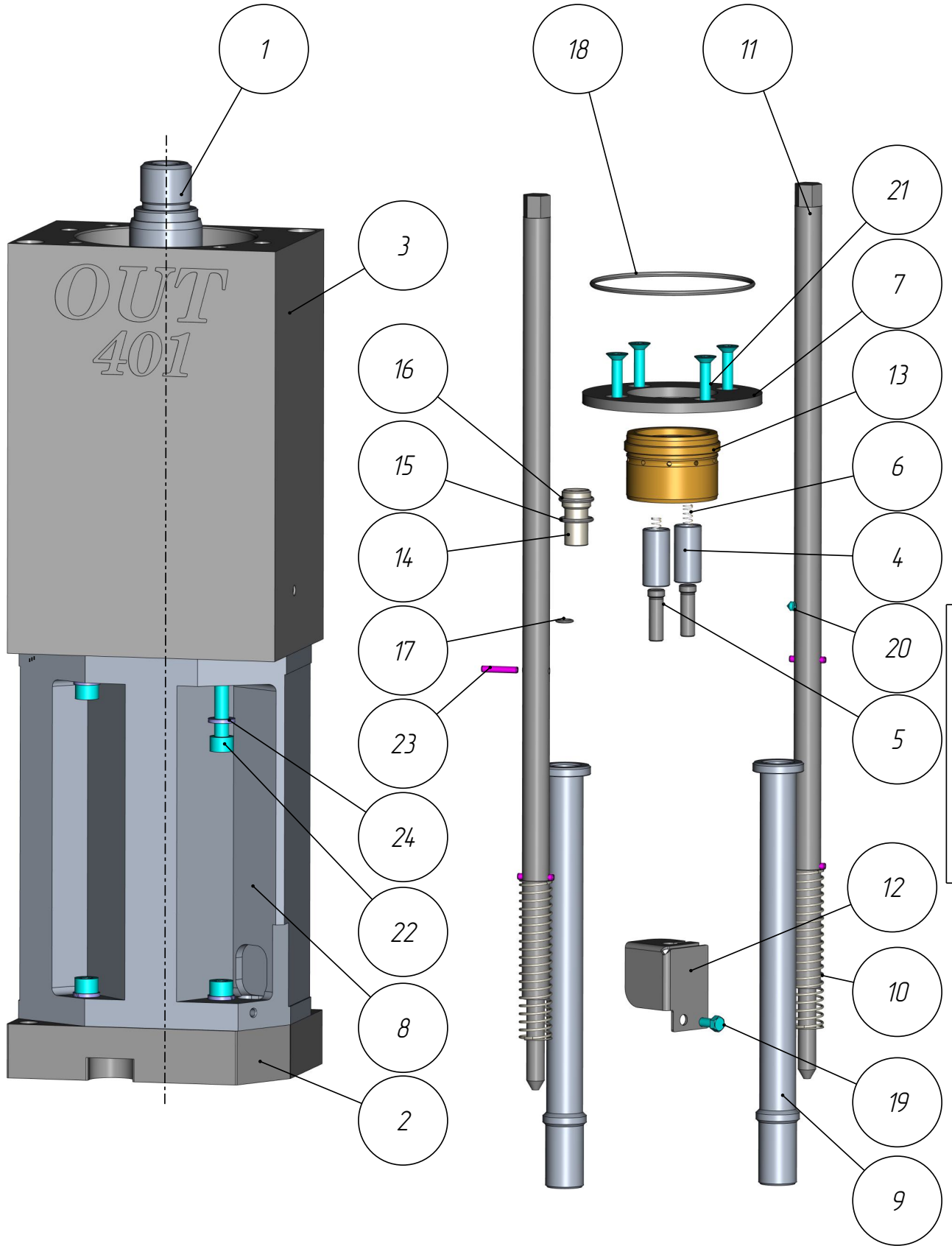


401

MPL-401-019

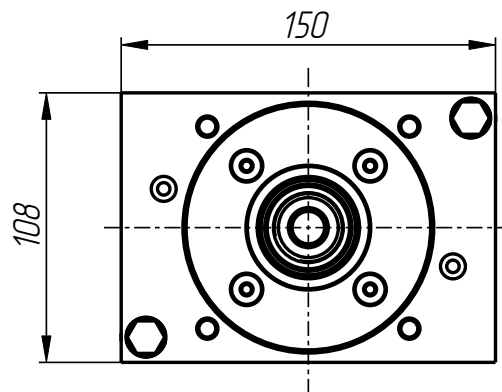
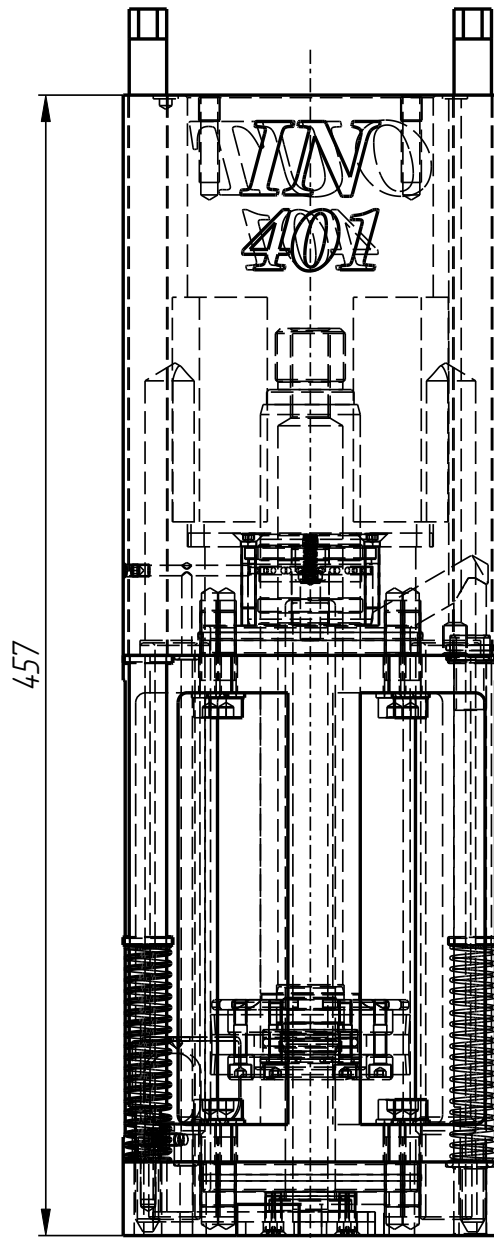
*Plunger mechanism
(PTO-25-01_V1M)*



MPL-401-019

Plunger mechanism
(PTO-25-01_V1M)
MPL-401-019

401



MPL-401-019

MPL-401-019

Plunger mechanism (PTO-25-01_V1M)

Specification

Nº pos.	Code	Name	Qty
---------	------	------	-----

Сборочные единицы:

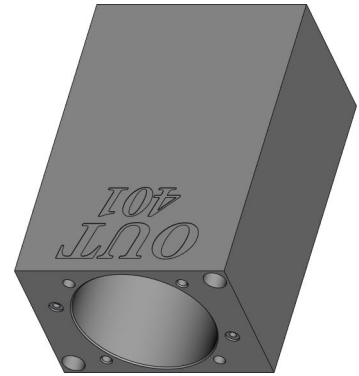
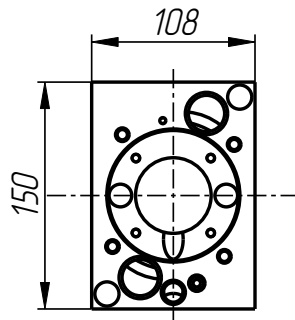
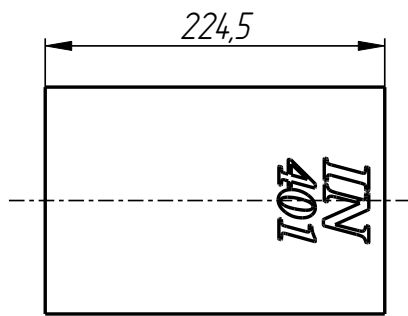
1	MPL-401-018-011	Stack assembly	1
2	MPL-401-019-003	Cap assembly	1

Parts:

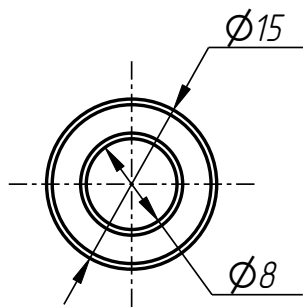
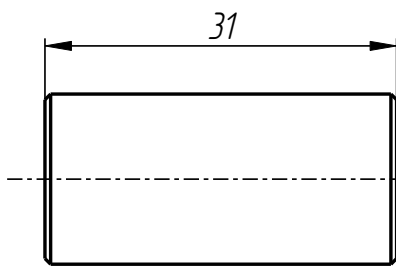
3	MPL-401-018-001	Main body	1
4	MPL-401-018-002	Bushing	2
5	MPL-401-018-003	Pin	2
6	MPL-401-018-004	Spring	2
7	MPL-401-018-006	Disk	1
8	MPL-401-018-007	Cylinder	1
9	MPL-401-018-009	Tube	2
10	MPL-401-018-010	Spring	2
11	MPL-401-018-011	Stack	2
12	MPL-401-018-012	Bracket	1
13	MPL-401-019-001	Bushing	1
14	MPL-401-019-002	Tube	1

Standard parts:

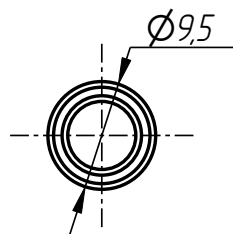
15	Ring 13.618.62.56.1	1
16	Ring 15.619.41.96.1	1
17	Ring 5.79.51.96.1	1
18	Ring 83.588.52.57	1
19	Screw M5x10 ГОСТ 7805-70	1
20	Screw M5x5 GOST 8878-93	1
21	Screw M6x30 DIN 7991	4
22	Screw M8x35 DIN 912	8
23	Spring pin ϕ 5x20 DIN 1481	4
24	Spring washer B8,0-A4	8



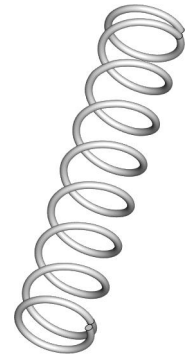
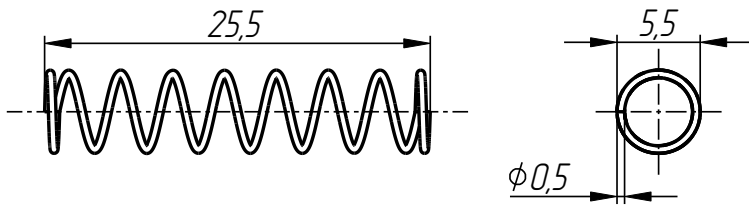
Main body
MPL-401-018-001



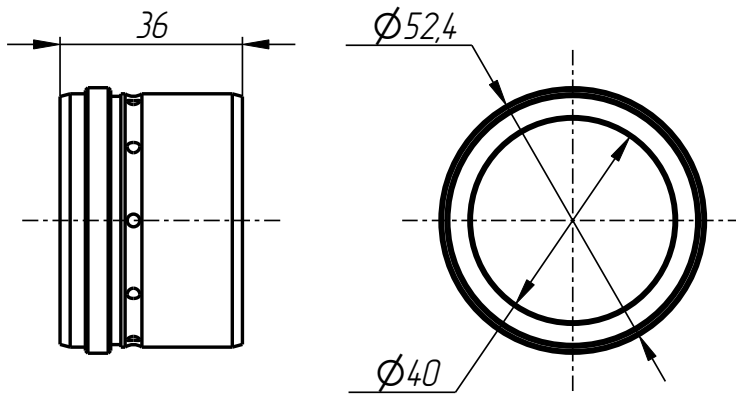
Bushing
MPL-401-018-002



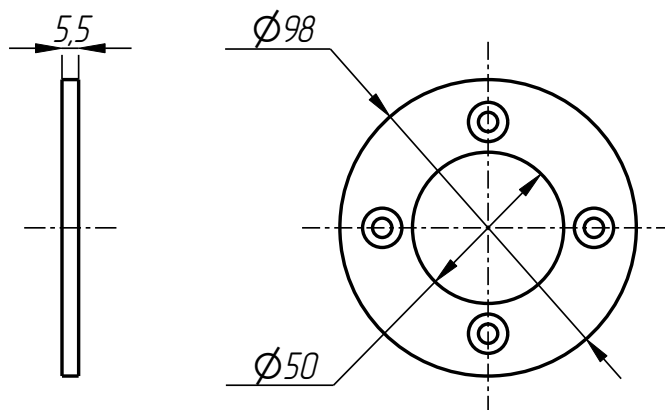
Pin
MPL-401-018-003



Spring
MPL-401-018-004

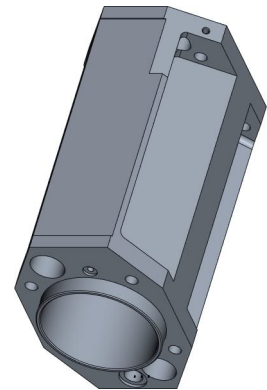
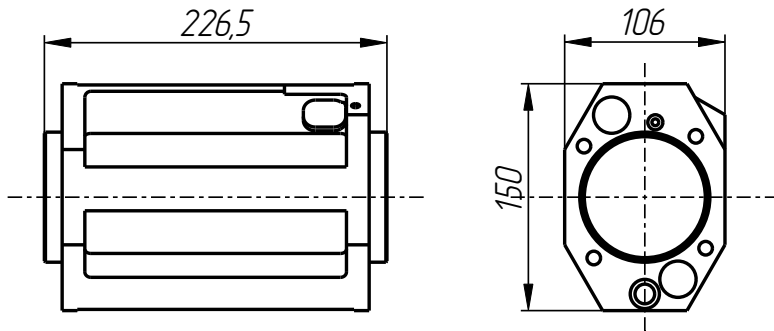


Bushing
MPL-401-019-001

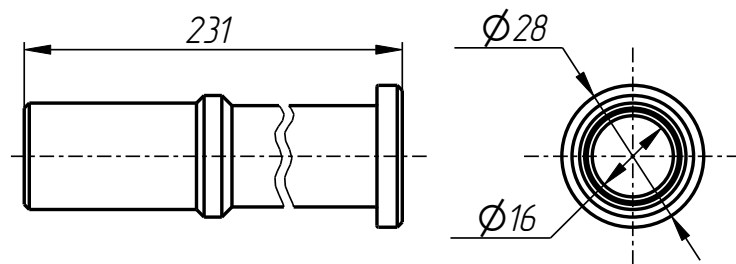


Disk
MPL-401-018-006

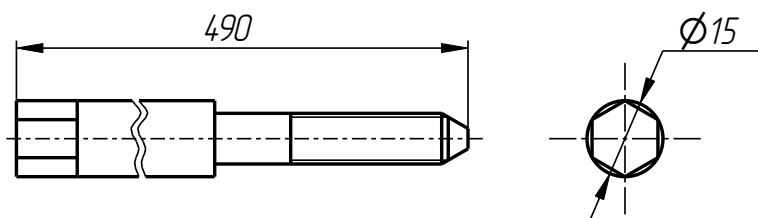
MPL-401-019



Cylinder
MPL-401-018-007

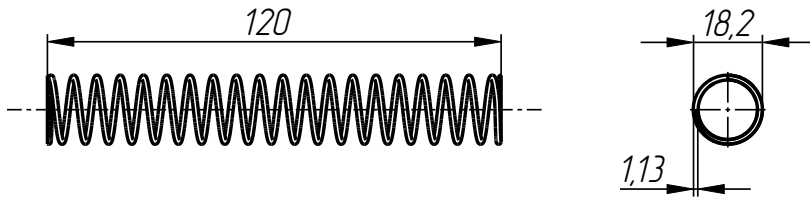


Tube
MPL-401-018-009

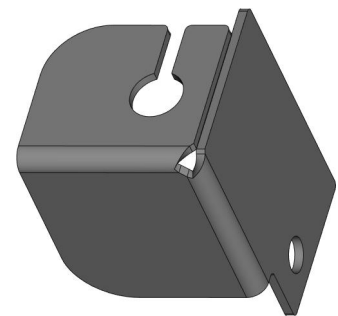
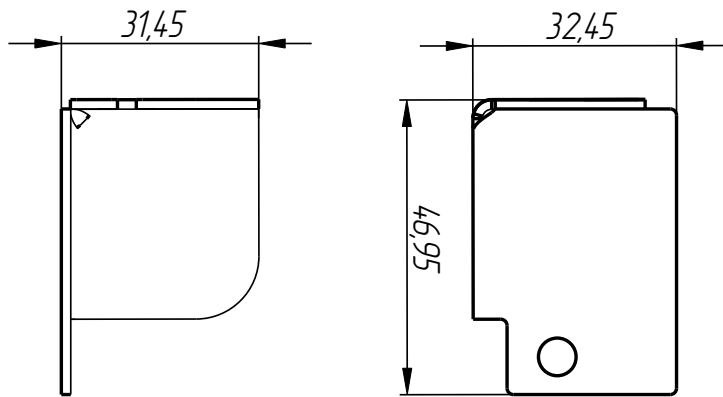


Stock
MPL-401-018-011

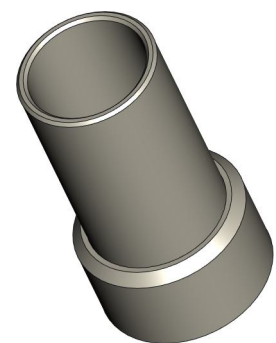
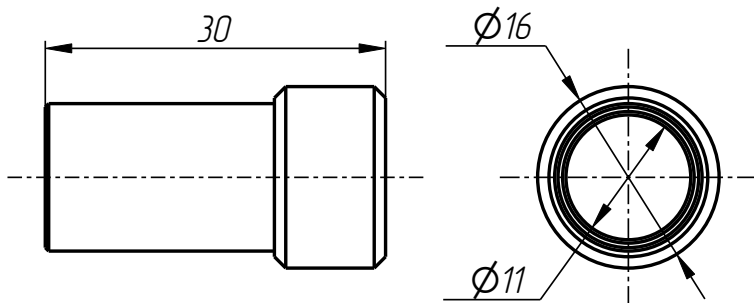
MPL-401-019



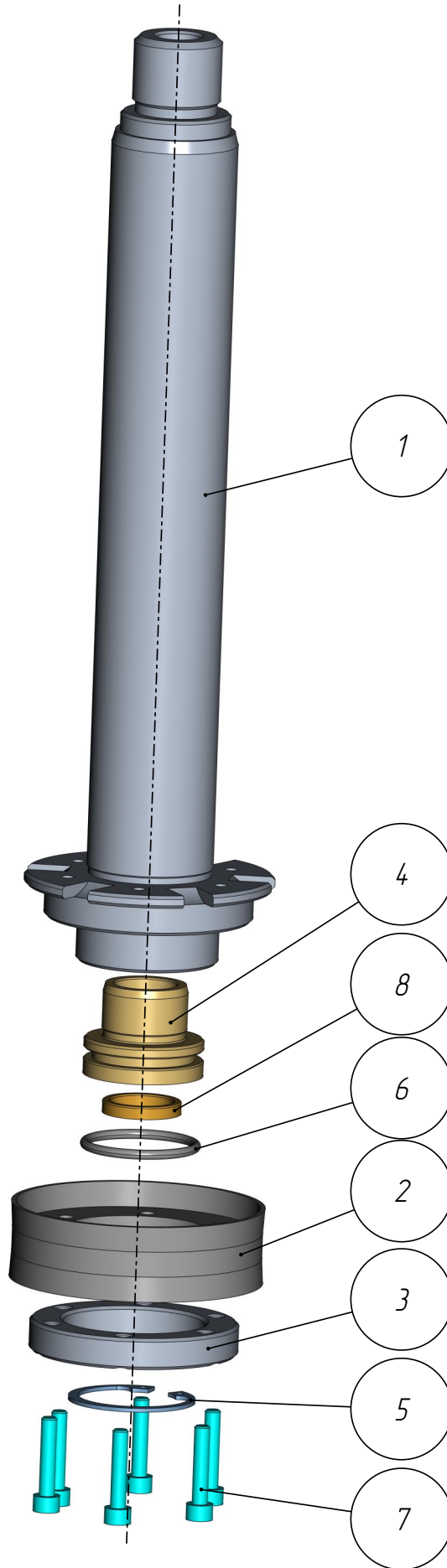
Spring
MPL-401-018-010



Bracket
MPL-401-018-012



Tube
MPL-401-019-002



MPL-401-018-011

MPL-401-018-011

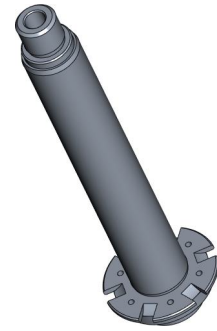
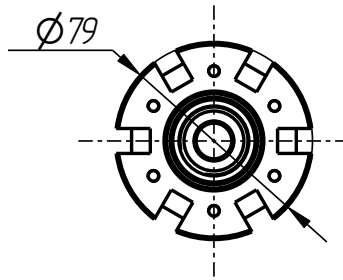
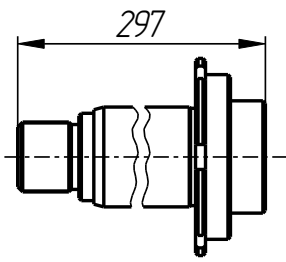
Stock assembly

Specification

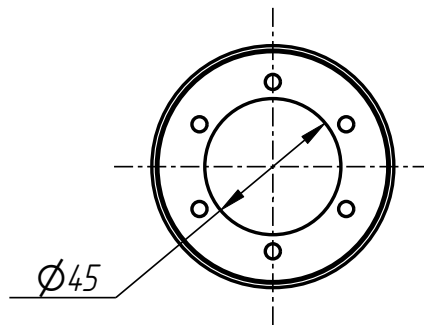
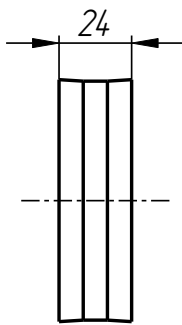
<i>Nº pos.</i>	<i>Code</i>	<i>Name</i>	<i>Qty</i>
<i>Parts:</i>			
1	MPL-401-018-011-001	Stock	1
2	MPL-401-018-011-002	Piston	1
3	MPL-401-018-011-003	Ring	1
4	MPL-401-018-011-004	Bushing	1

Standard parts:

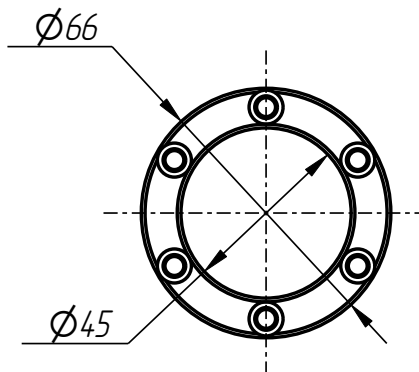
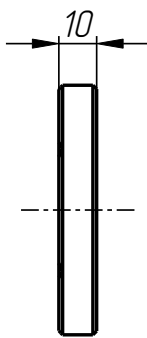
5	Locking Ring ϕ 38 GOST 13943-86	1
6	Ring 323837	1
7	Screw M5x25 DIN 912	6
8	Sealing 20254	1



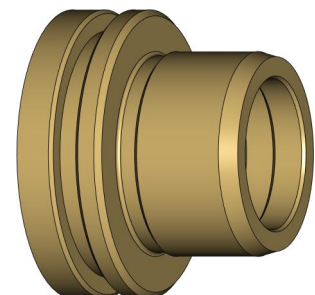
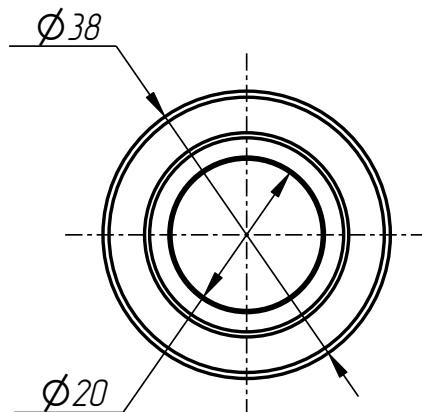
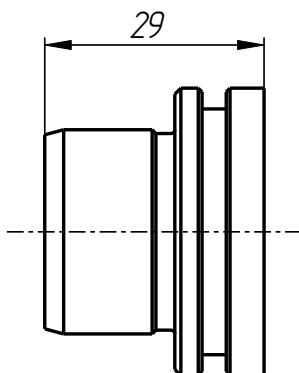
Stock
MPL-401-018-011-001



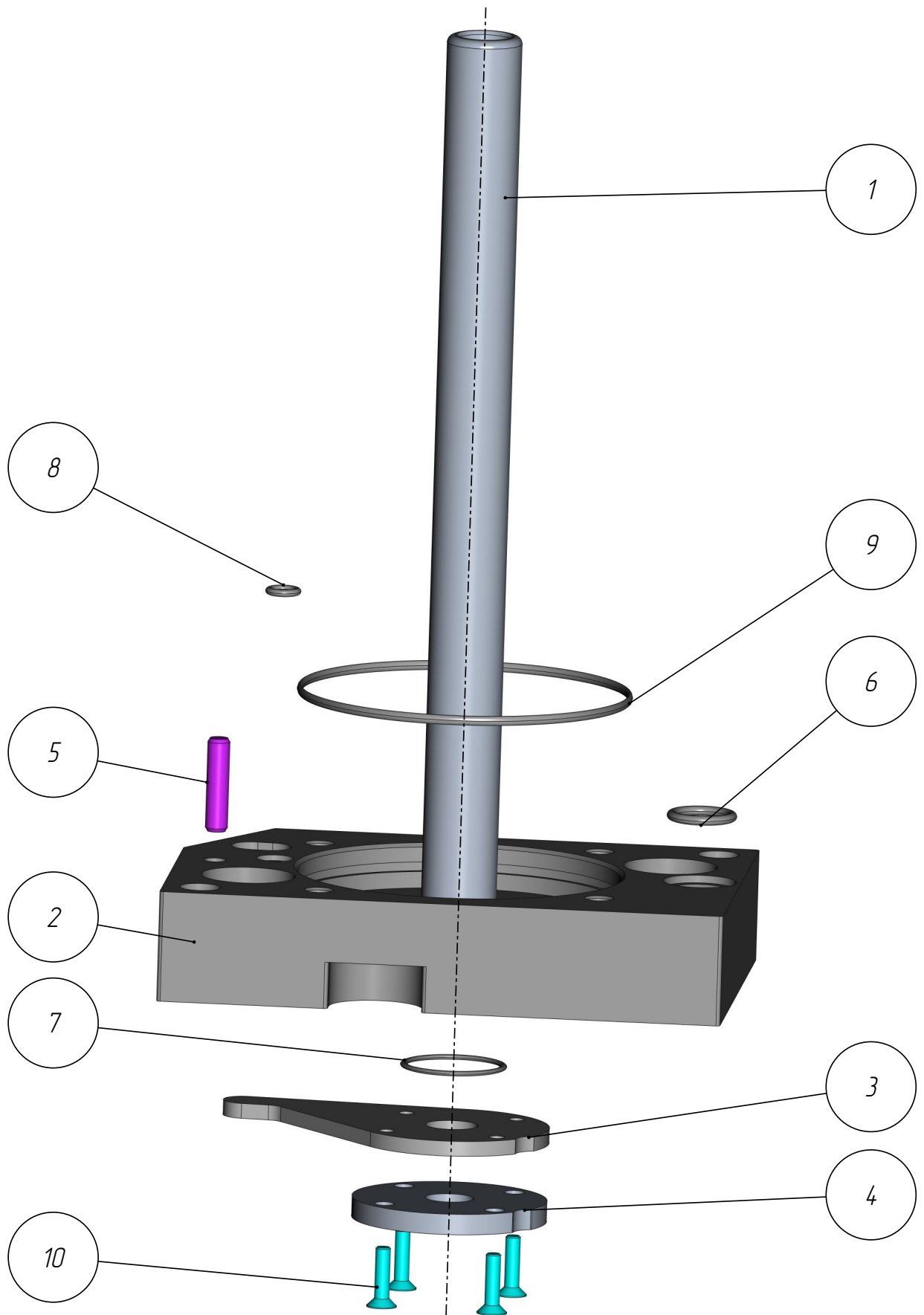
Piston
MPL-401-018-011-002



Ring
MPL-401-018-011-003



Bushing
MPL-401-018-011-004



MPL-401-019-003

MPL-401-019-003

Cap assembly

Specification

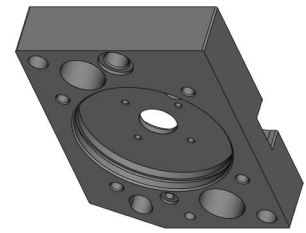
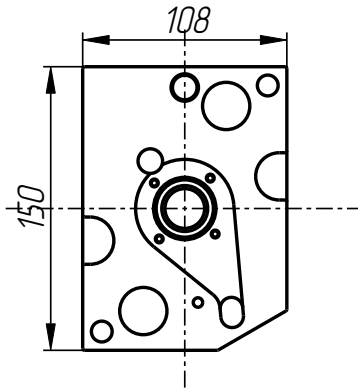
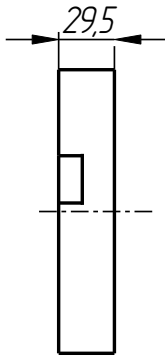
<i>Nº pos.</i>	<i>Code</i>	<i>Name</i>	<i>Qty</i>
----------------	-------------	-------------	------------

Parts:

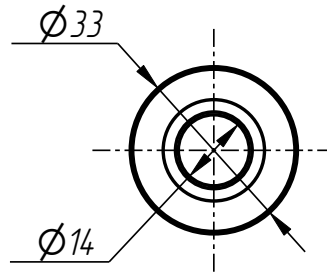
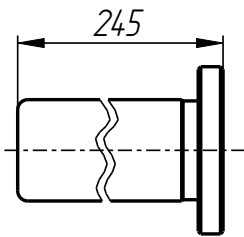
1	MPL-401-018-008-002	Stock	1
2	MPL-401-019-003-001	Cap	1
3	MPL-401-019-003-002	Plate	1
4	MPL-401-019-003-003	Cap	1

Standard parts:

5	Pin 6x25 GOST 3128-70		1
6	Ring 13.618.62.56.1		1
7	Ring 24.528.31.97		1
8	Ring 5.79.51.96.1		1
9	Ring 83.588.52.57		1
10	Screw M4x16 DIN 7991		4



Cap
MPL-401-019-003-001



Stock
MPL-401-018-008-002

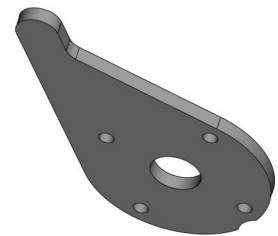
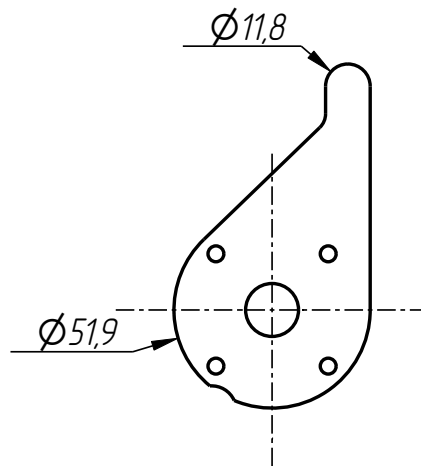
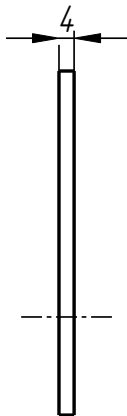
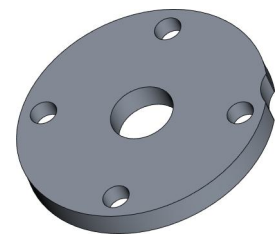
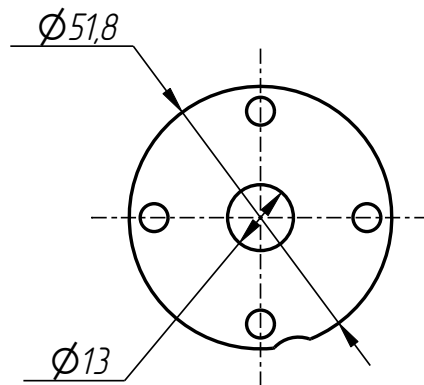
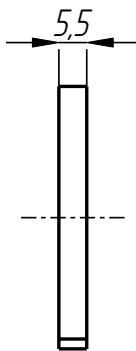


Plate
MPL-401-019-003-002



Cap
MPL-401-019-003-003

MPL-401-019-003