

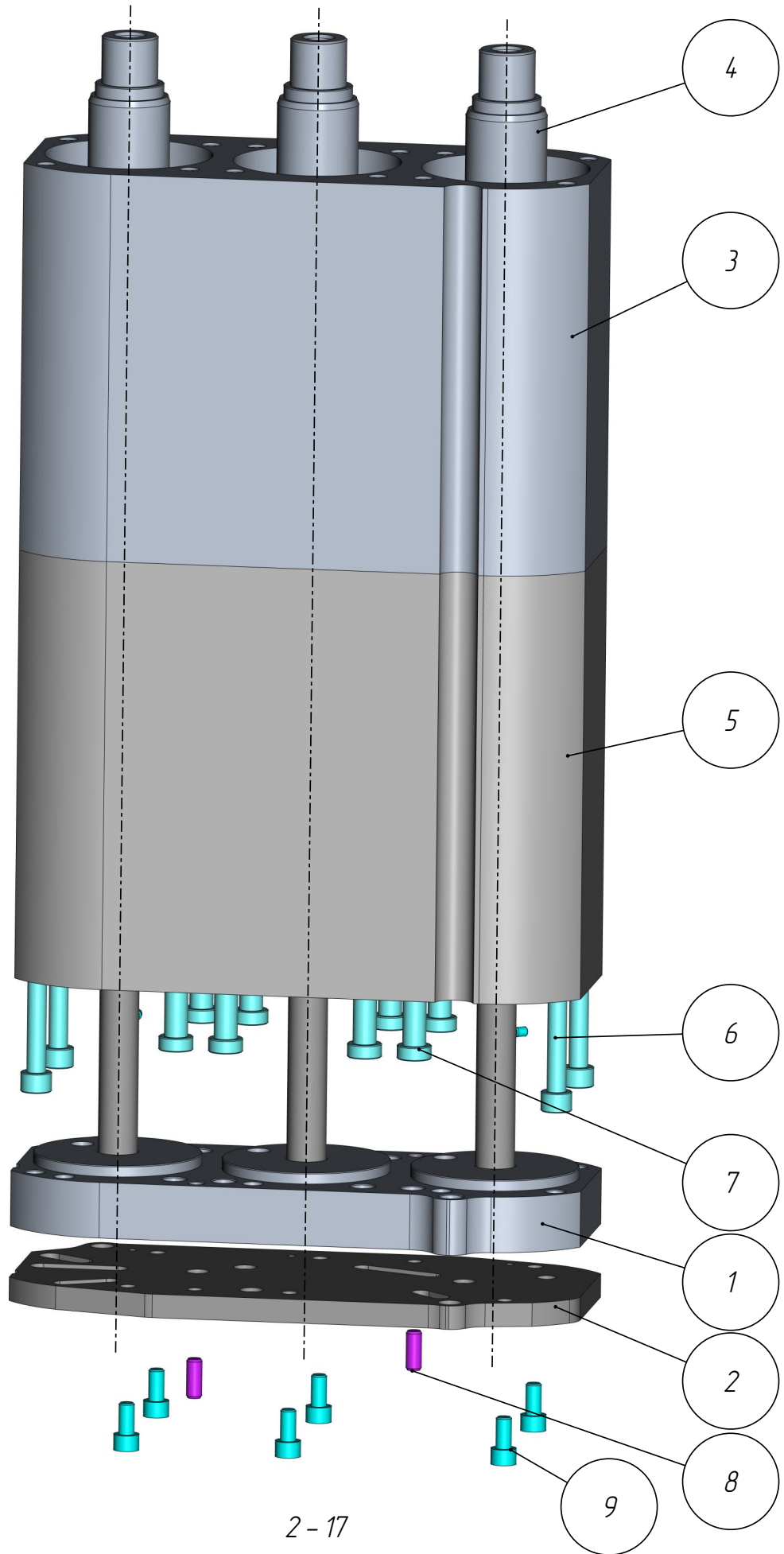
*401*

*MPL-401-017*

*Plunger mechanism  
(P-504-TGAZO\_MV3)*

Plunger mechanism  
(P-504-TGAZO\_MV3)  
MPL-401-017

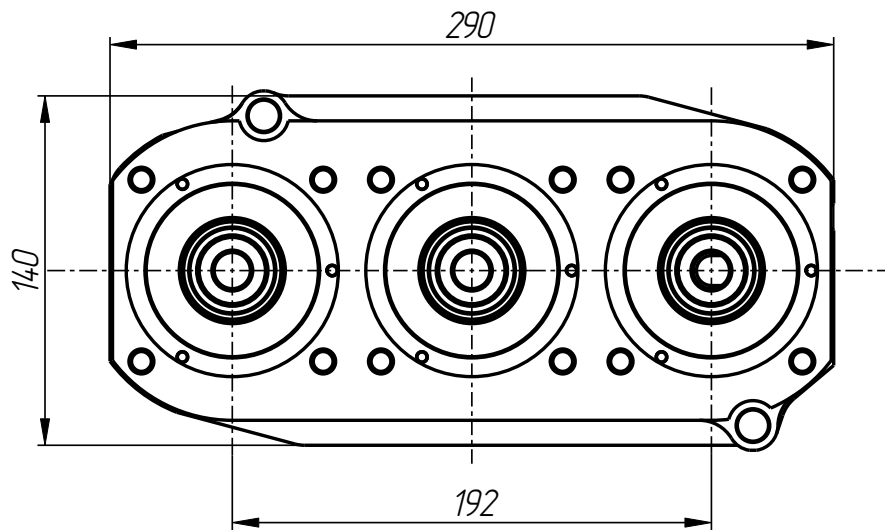
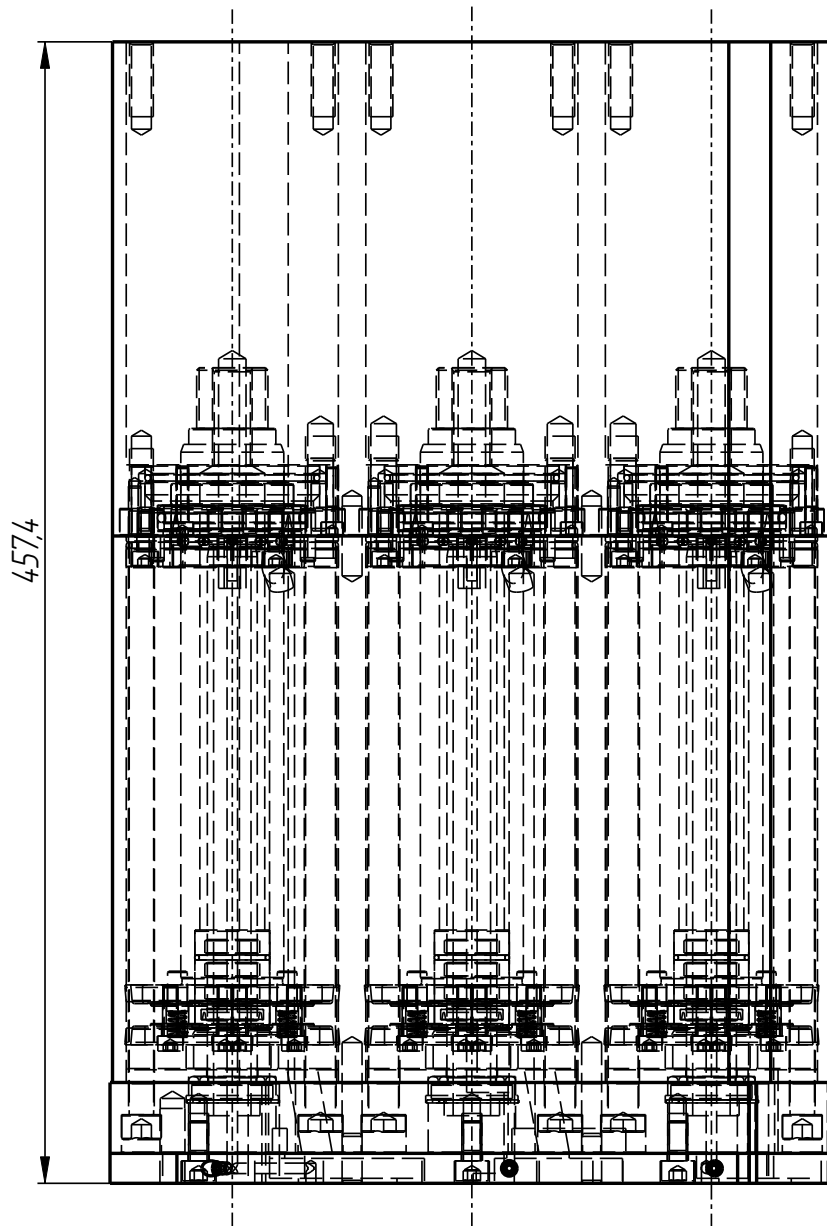
401



MPL-401-017

Plunger mechanism  
(P-504-TGAZO\_MV3)  
MPL-401-017

401



MPL-401-017

# MPL-401-017

## Plunger mechanism (P-504-TGAZO\_MV3)

### Specification

<i>Nº pos.</i>	<i>Code</i>	<i>Name</i>	<i>Qty</i>
----------------	-------------	-------------	------------

#### Сборочные единицы:

1	MPL-401-015-001	Footing assembly	1
2	MPL-401-015-007	Plate assembly	1
3	MPL-401-017-001	Main body assembly	1
4	MPL-401-017-002	Stock assembly	3

#### Parts:

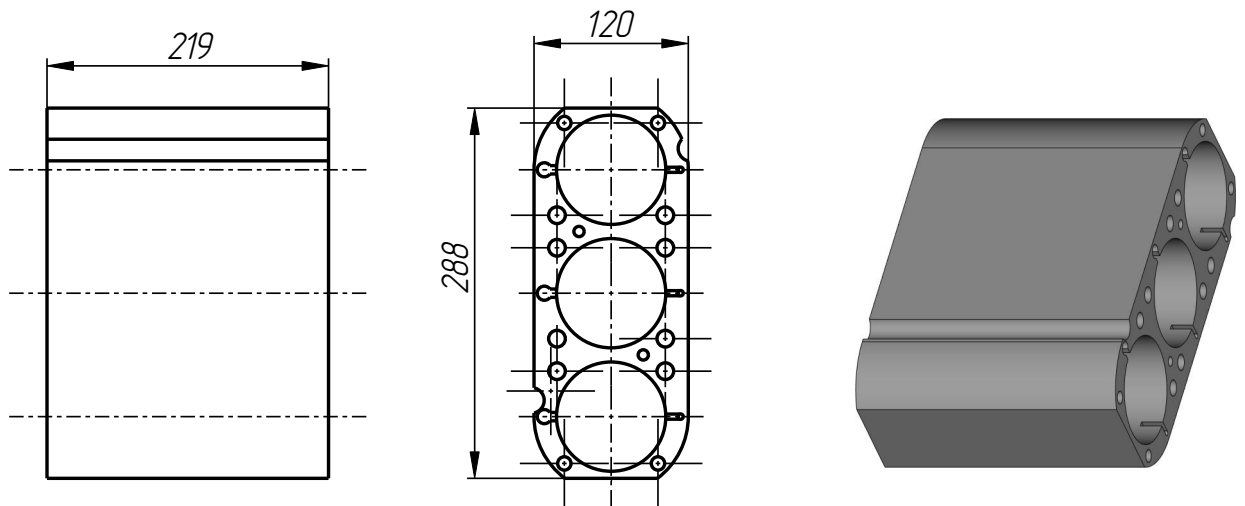
5	MPL-401-015-002	Main body	1
6	MPL-401-015-005	Screw	4
7	MPL-401-015-006	Screw	8

#### Standard parts:

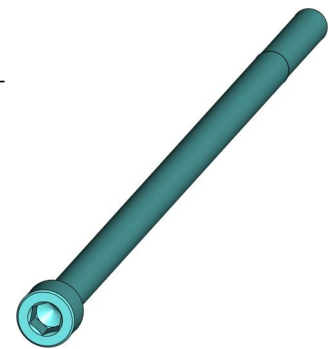
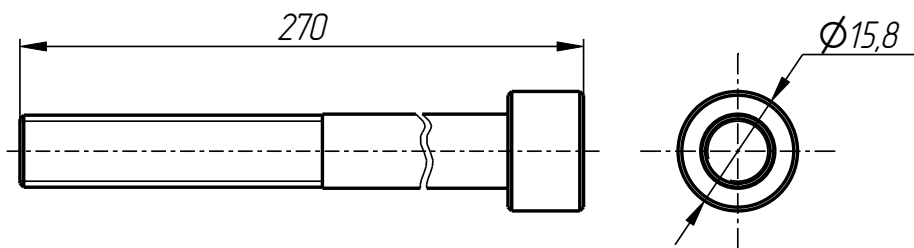
8	Pin 8Гx20 GOST 3128-70		2
9	Screw M8x16 DIN 912		6

Plunger mechanism  
(P-504-TGAZO\_MV3)  
MPL-401-017

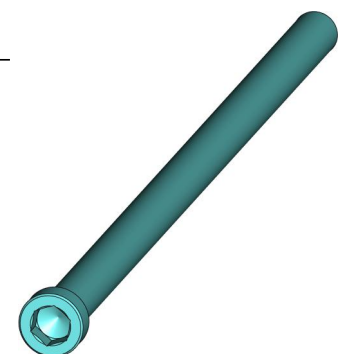
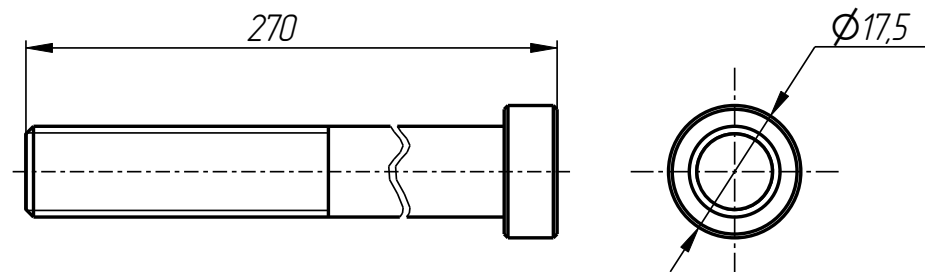
401



Main body  
MPL-401-015-002

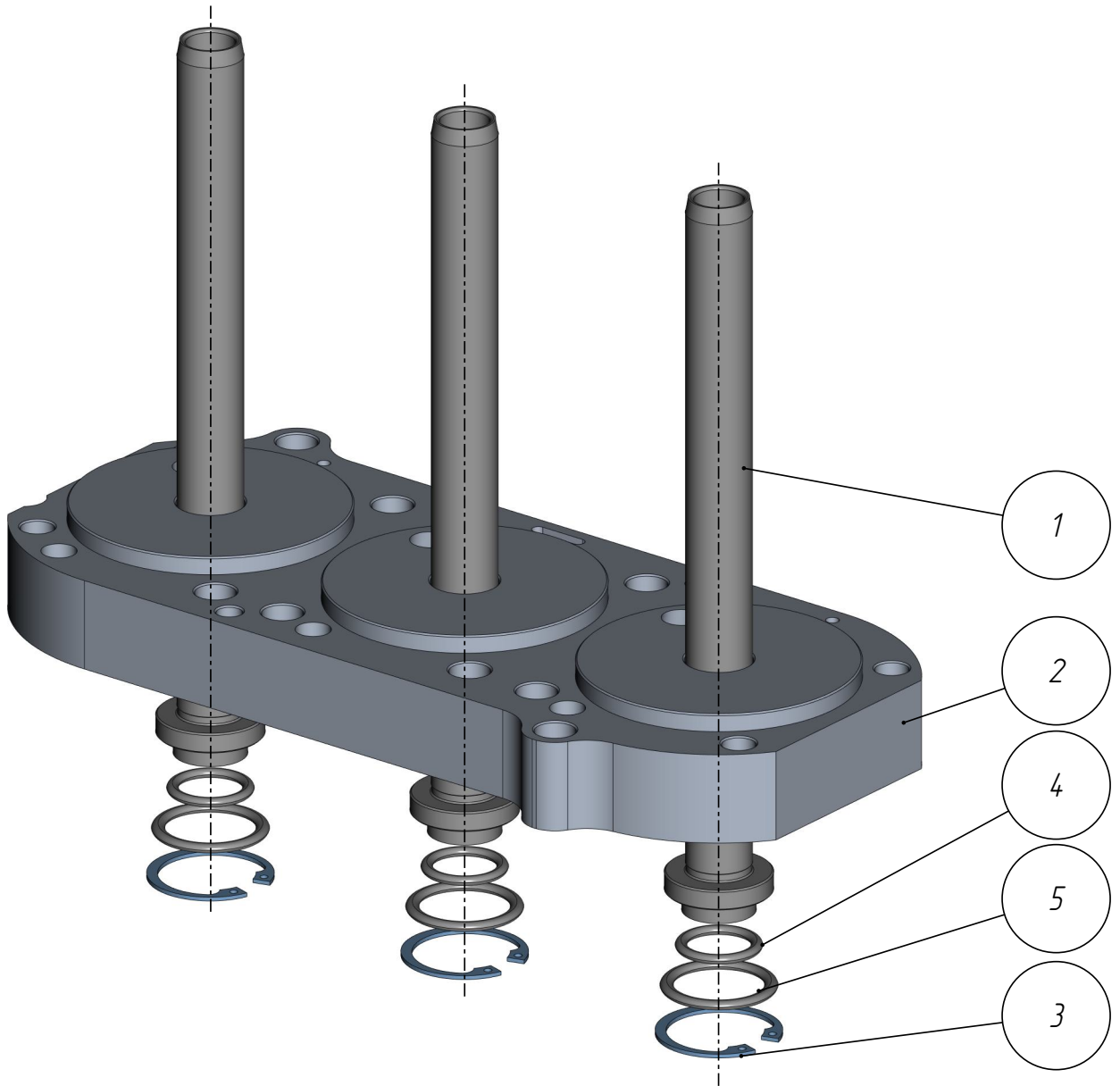


Screw  
MPL-401-015-005



Screw  
MPL-401-015-006

MPL-401-017



MPL-401-015-001

# MPL-401-015-001

## Footing assembly

### Specification

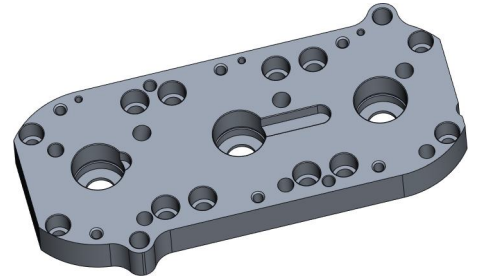
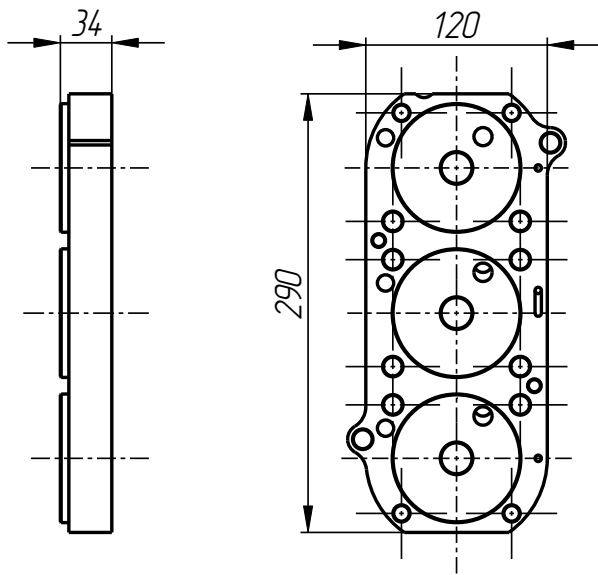
<i>Nº pos.</i>	<i>Code</i>	<i>Name</i>	<i>Qty</i>
----------------	-------------	-------------	------------

#### Parts:

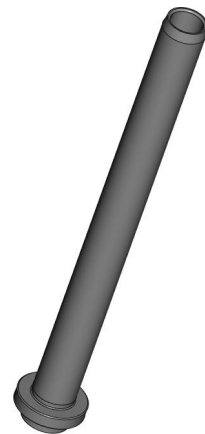
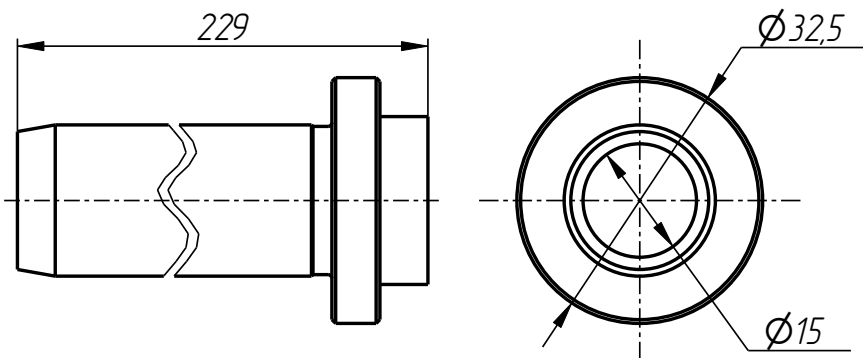
1	MPL-401-002-001-003	Cooling rod	3
2	MPL-401-015-001-001	Footing	1

#### Standard parts:

3	Locking Ring $\phi$ 35 GOST 13943-86		3
4	Ring 18.525.73.67		3
5	Ring 27.534.73.67		3

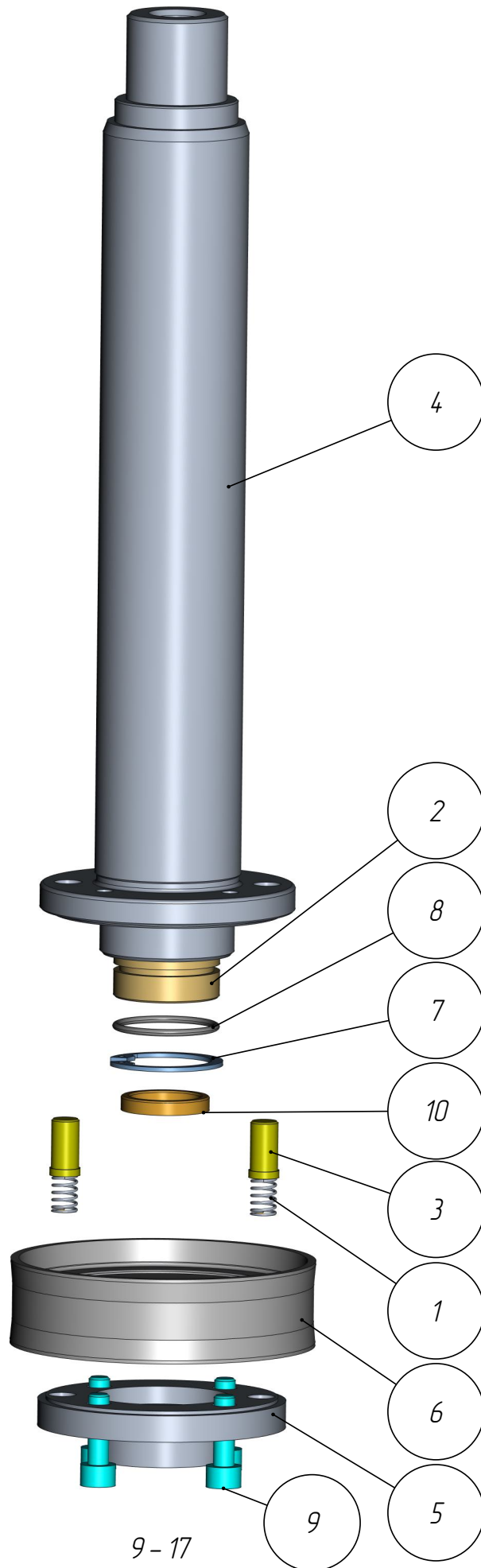


Footing  
MPL-401-015-001-001



Cooling rod  
MPL-401-002-001-003

MPL-401-015-001



MPL-401-017-002

9 - 17

# MPL-401-017-002

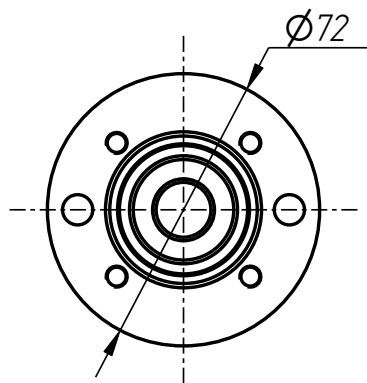
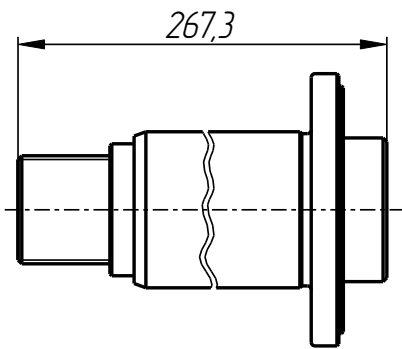
## Stock assembly

### Specification

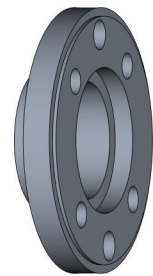
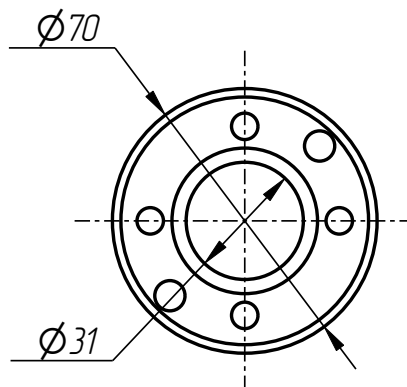
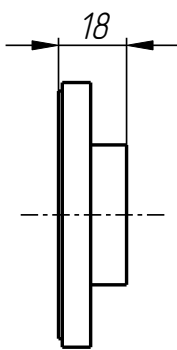
<i>Nº pos.</i>	<i>Code</i>	<i>Name</i>	<i>Qty</i>
<i>Parts:</i>			
1	MPL-401-002-001-004-004	Spring	2
2	MPL-401-002-001-004-006	Bushing	1
3	MPL-401-013-001-002-002	Plug	2
4	MPL-401-015-003-001	Stock	1
5	MPL-401-017-002-001	Flange	1
6	MPL-401-017-002-002	Piston	1

### Standard parts:

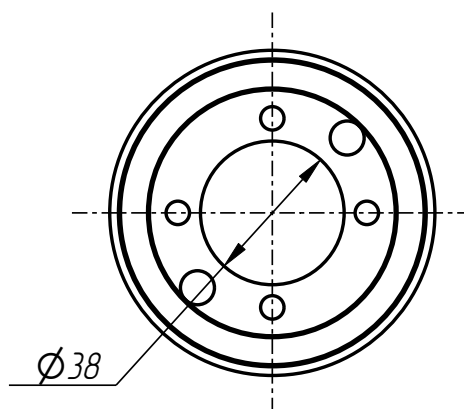
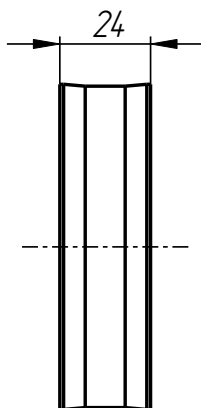
7	Locking Ring $\phi$ 30 GOST 13943-86	1
8	Ring 24.528.31.97	2
9	Screw M6x20 DIN 912	4
10	Sealing 20254	1



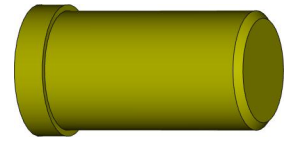
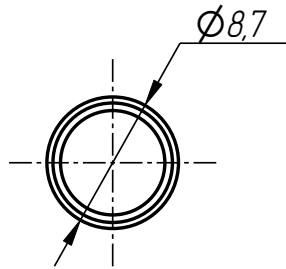
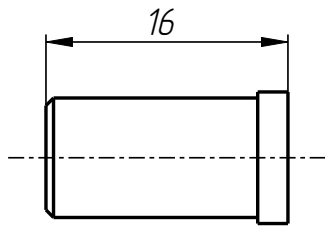
Stack  
MPL-401-015-003-001



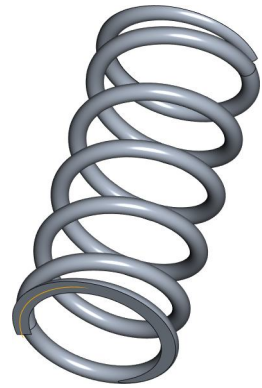
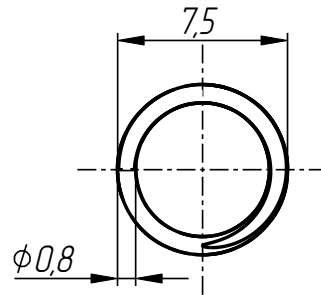
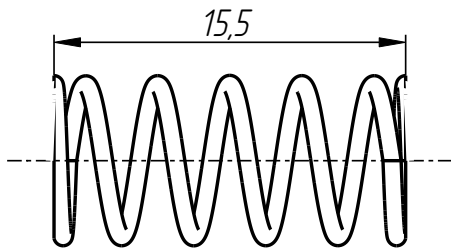
Flange  
MPL-401-017-002-001



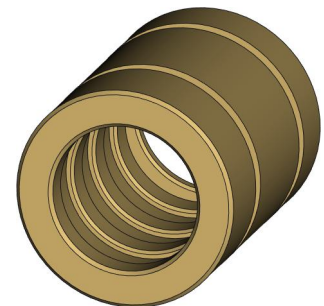
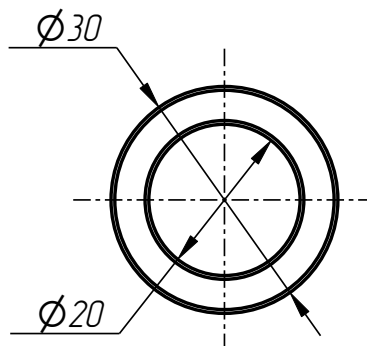
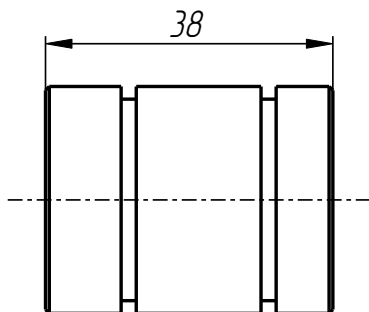
Piston  
MPL-401-017-002-002



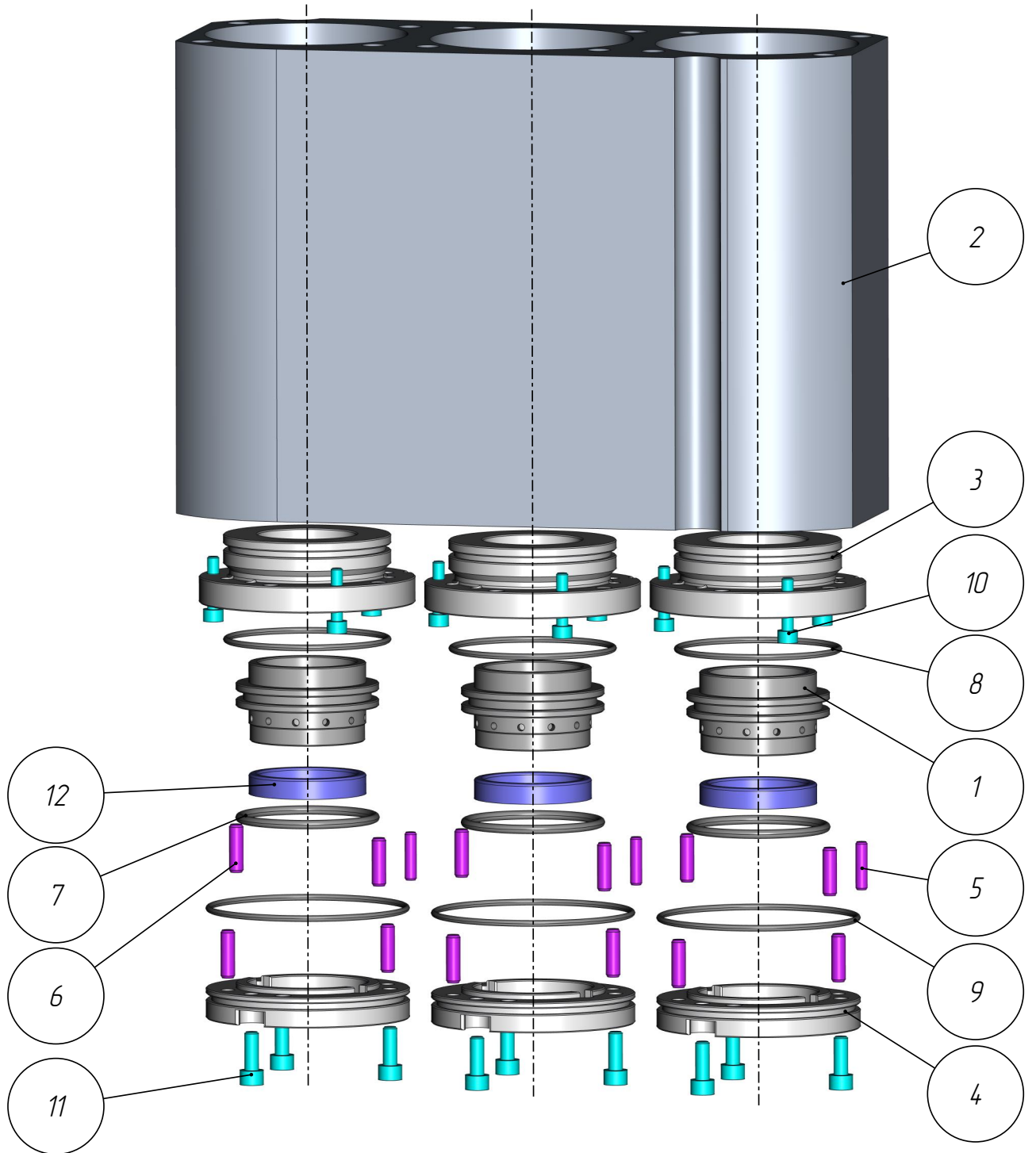
Plug  
MPL-401-013-001-002-002



Spring  
MPL-401-002-001-004-004



Bushing  
MPL-401-002-001-004-006



MPL-401-017-001

# MPL-401-017-001

## Main body assembly

### Specification

#### Parts:

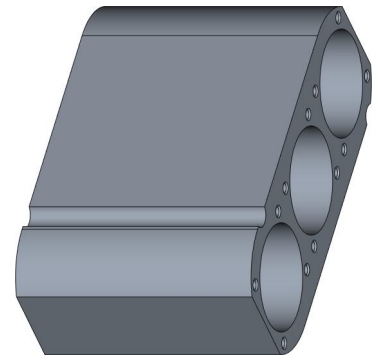
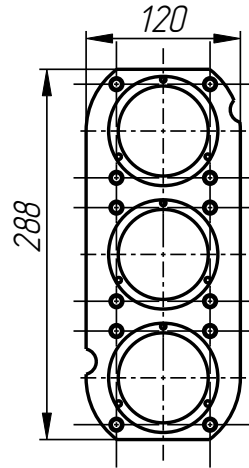
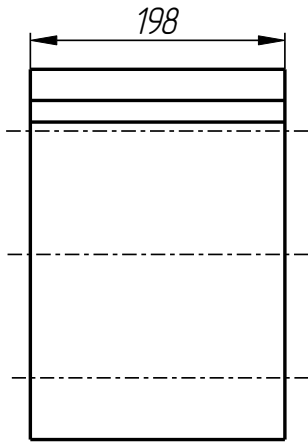
1	MPL-401-013-002-003	Bushing	3
2	MPL-401-015-004-001	Main body	1
3	MPL-401-017-001-001	Flange	3
4	MPL-401-017-001-002	Flange	3

#### Standard parts:

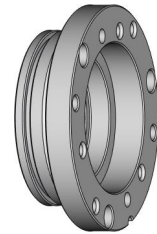
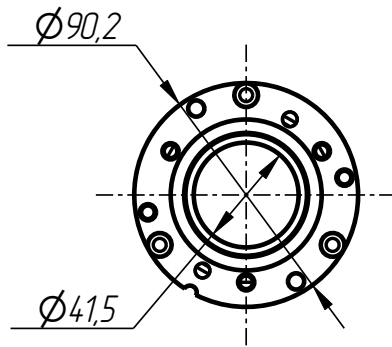
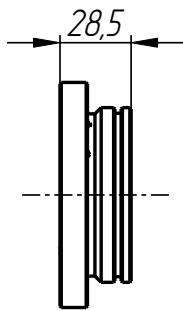
5	Pin 5Гx20 GOST 3128-70	3
6	Pin 6Гx20 GOST 3128-70	12
7	Ring 5158.23.67	3
8	Ring 63.568.52.57	3
9	Ring 78.583.52.57	3
10	Screw M5x22 DIN 912	9
11	Screw M6x16 DIN 912	9
12	Sealing 41.27498	3

Main body assembly  
MPL-401-017-001

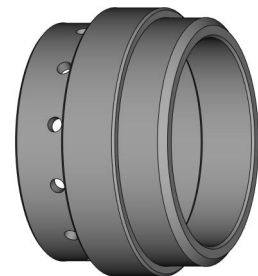
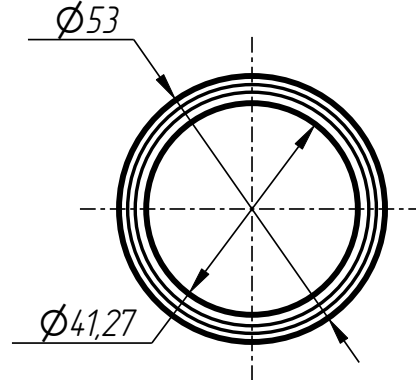
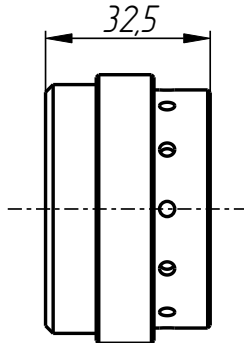
401



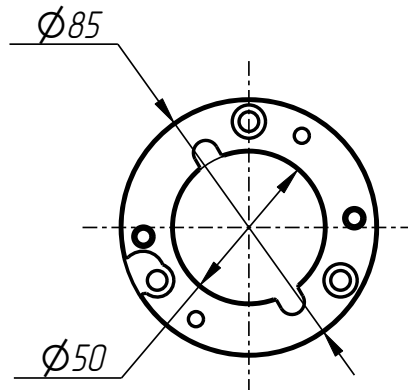
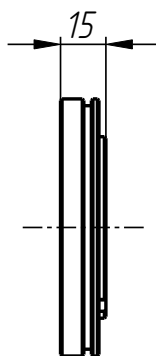
Main body  
MPL-401-015-004-001



Flange  
MPL-401-017-001-001

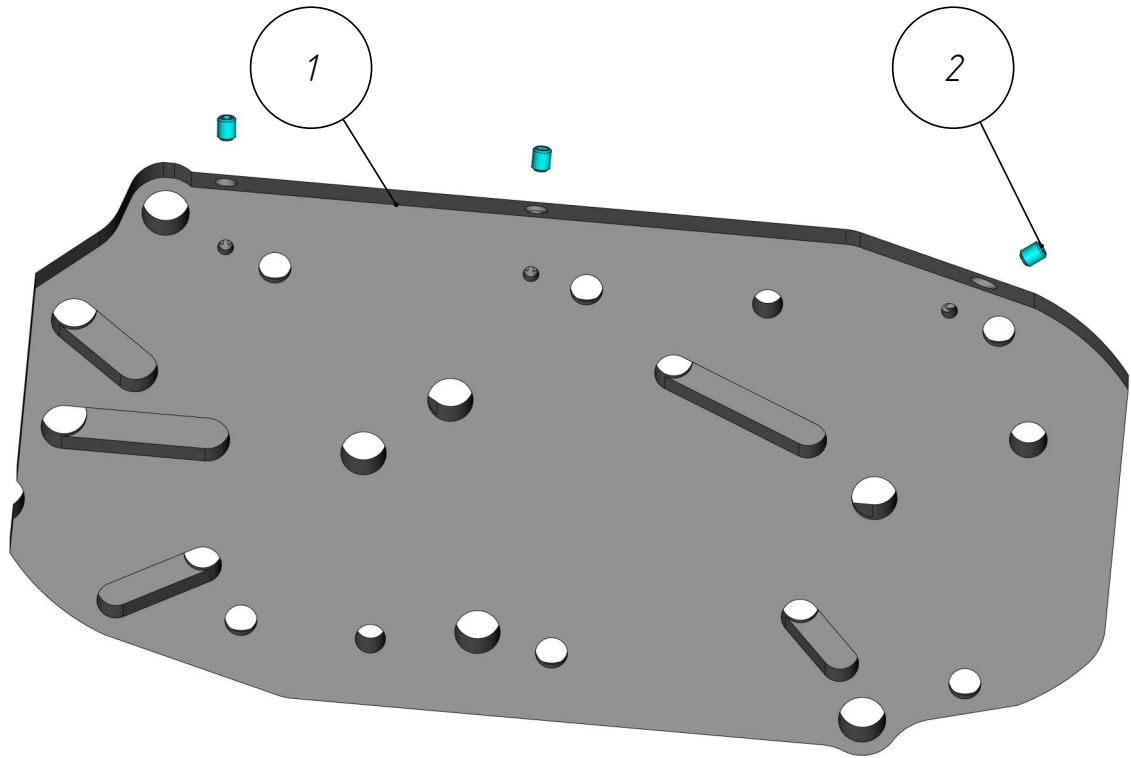


Bushing  
MPL-401-015-004-003



Flange  
MPL-401-017-001-002

MPL-401-017-001



# MPL-401-015-007

## Plate assembly

### Specification

N° pos.	Code	Name	Qty
---------	------	------	-----

#### Parts:

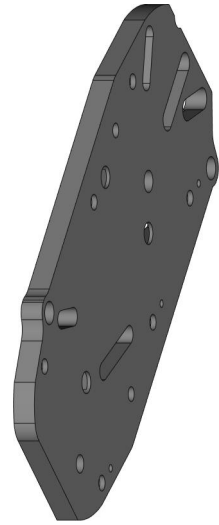
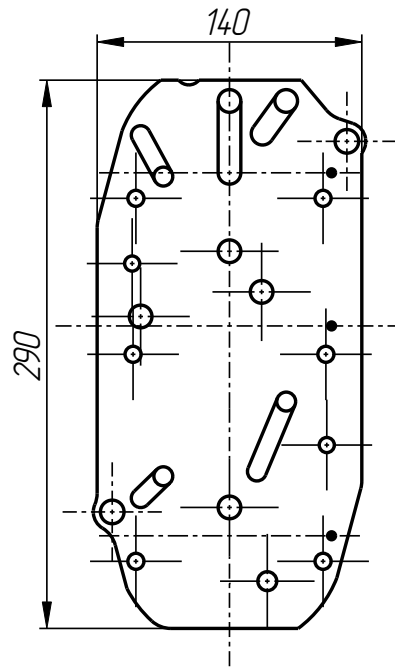
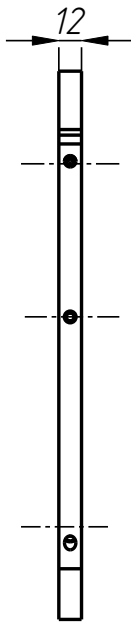
1	MPL-401-015-007-001	Lower plate	1
---	---------------------	-------------	---

#### Standard parts:

2	Screw M5x6 GOST 11074-93		3
---	--------------------------	--	---

Plate assembly  
MPL-401-015-007

401



Lower plate  
MPL-401-015-007-001