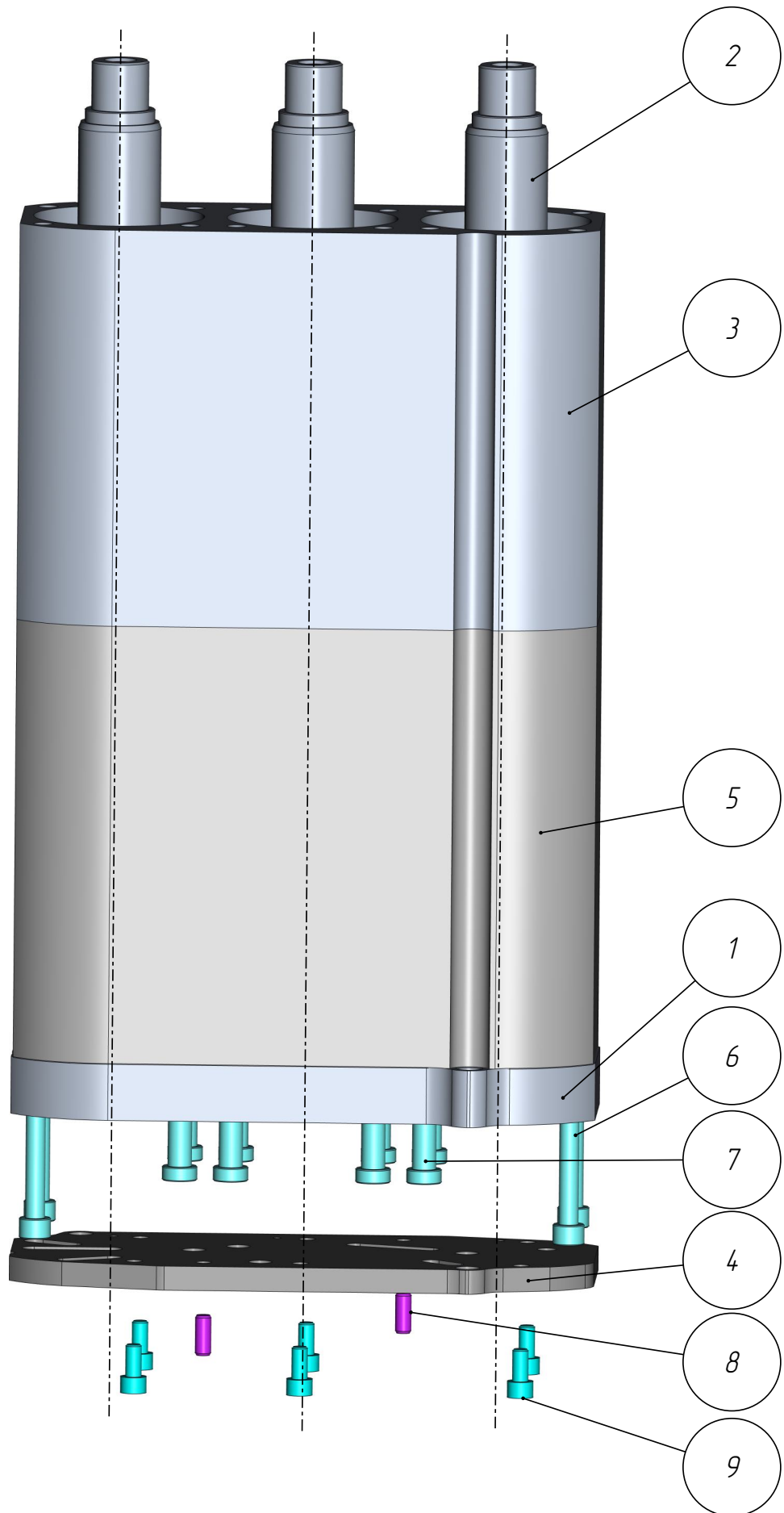


401

MPL-401-015

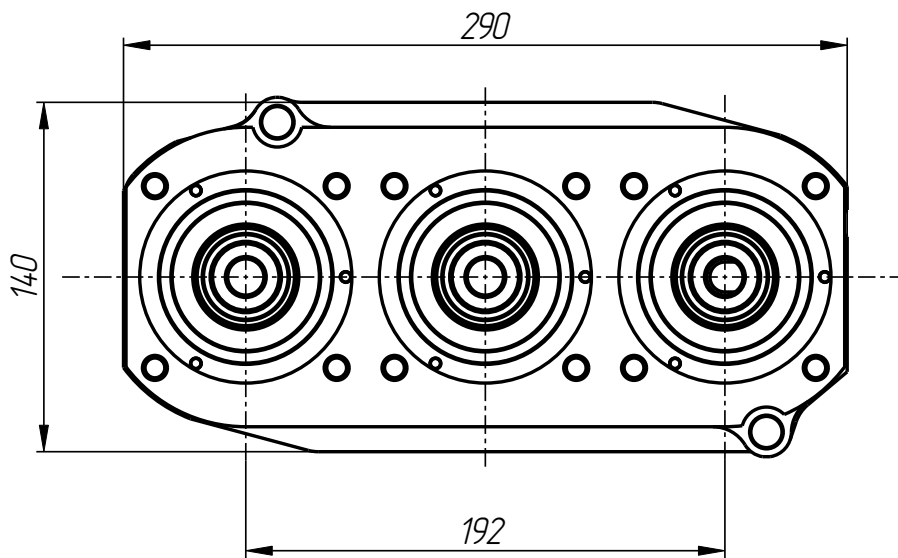
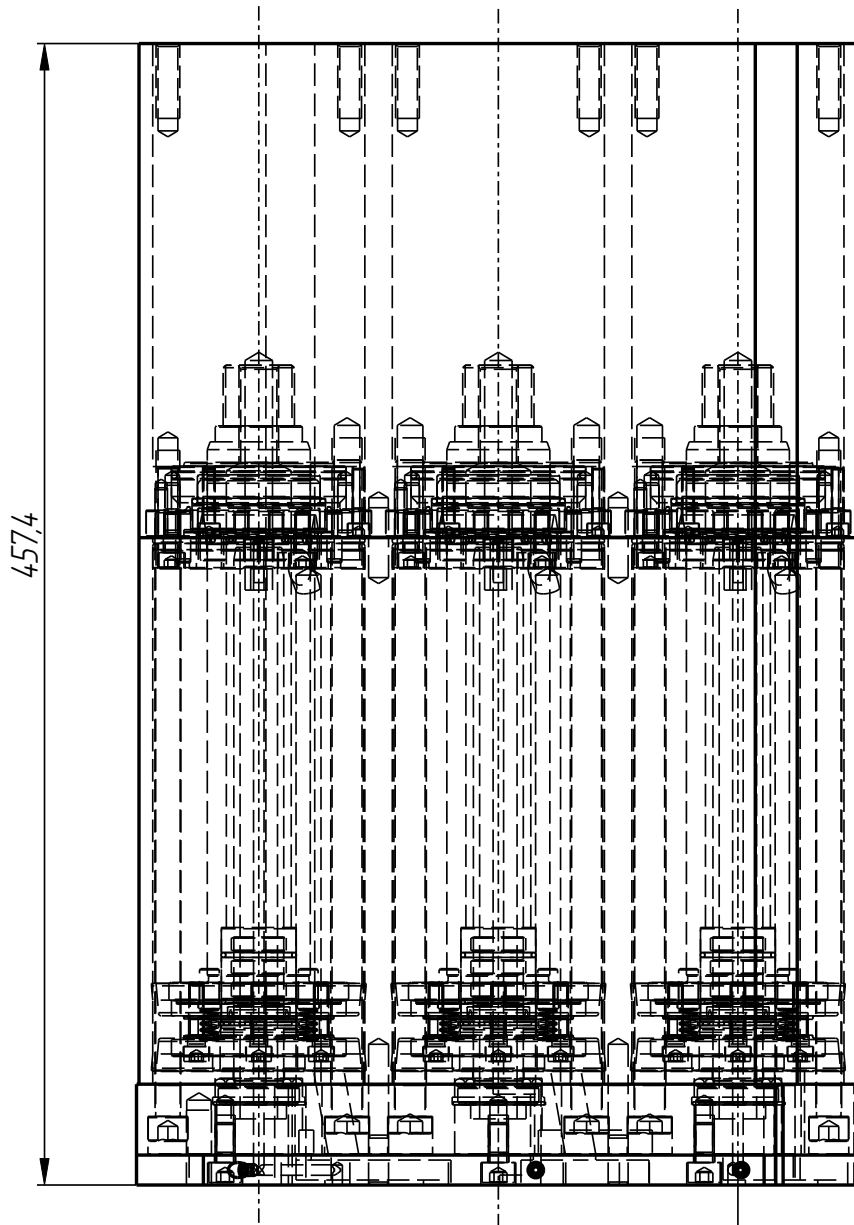
*Plunger mechanism
(P-504-TGAZO_M)*



MPL-401-015

Plunger mechanism
(P-504-TGAZO_M)
MPL-401-015

401



3 - 17

MPL-401-015

MPL-401-015

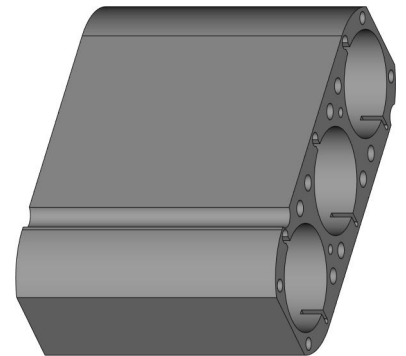
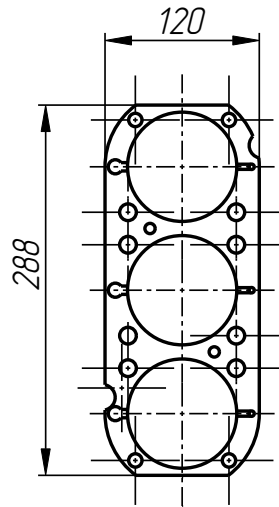
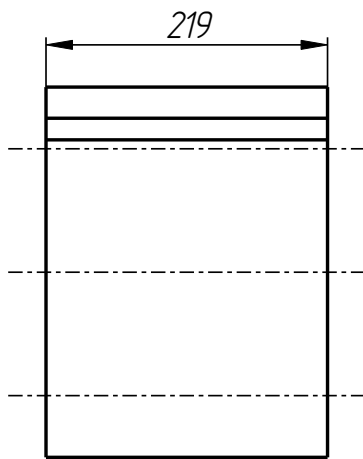
Plunger mechanism
(P-504-TGAZO_M)

Specification

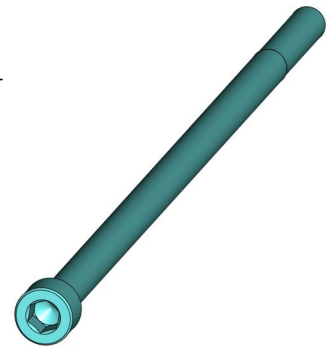
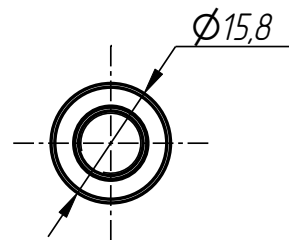
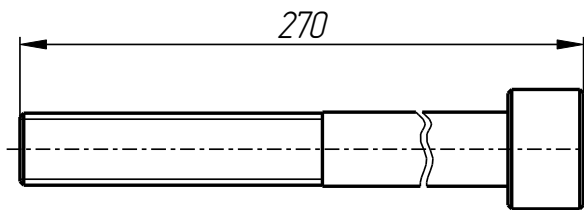
<i>Nº pos.</i>	<i>Code</i>	<i>Name</i>	<i>Qty</i>
<i>Сборочные единицы:</i>			
1	MPL-401-015-001	Footing assembly	1
2	MPL-401-015-003	Stock assembly	3
3	MPL-401-015-004	Main body assembly	1
4	MPL-401-015-007	Plate assembly	1
<i>Parts:</i>			
5	MPL-401-015-002	Main body	1
6	MPL-401-015-005	Screw	4
7	MPL-401-015-006	Screw	8
<i>Standard parts:</i>			
8	Pin 8Гx20 GOST 3128-70		2
9	Screw M8x16 DIN 912		6

Plunger mechanism
(P-504-TGAZO_M)
MPL-401-015

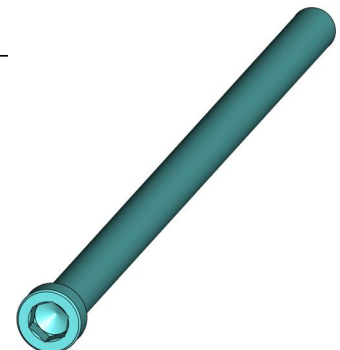
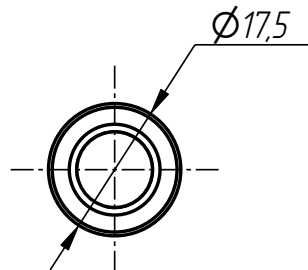
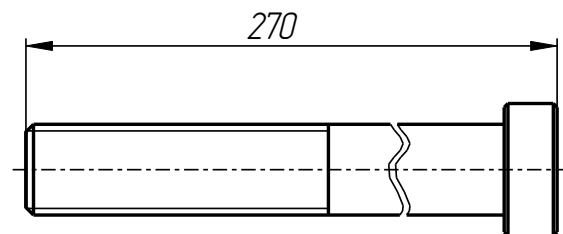
401



Main body
MPL-401-015-002

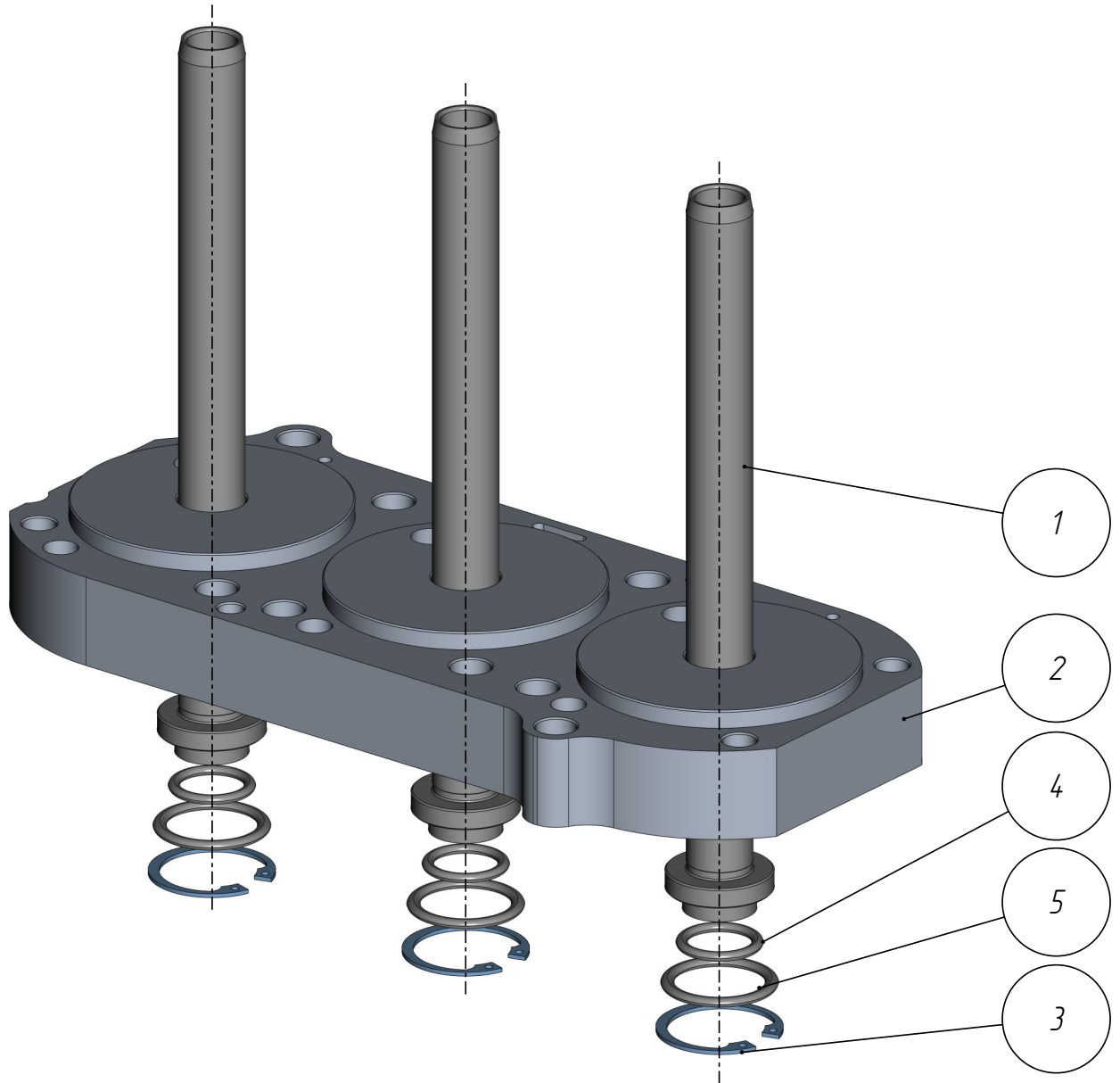


Screw
MPL-401-015-005



Screw
MPL-401-015-006

MPL-401-015



MPL-401-015-001

MPL-401-015-001

Footing assembly

Specification

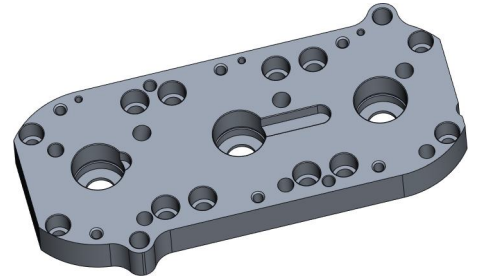
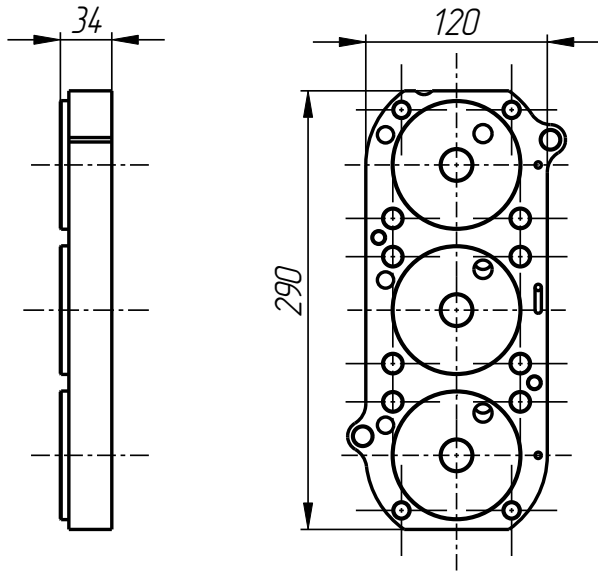
<i>Nº pos.</i>	<i>Code</i>	<i>Name</i>	<i>Qty</i>
----------------	-------------	-------------	------------

Parts:

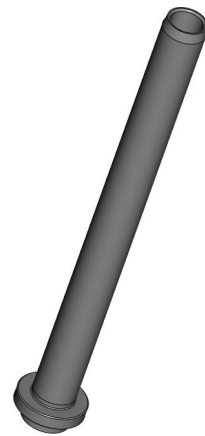
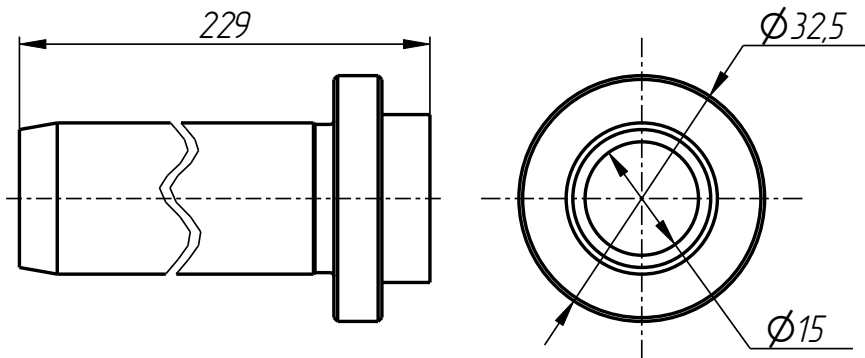
1	MPL-401-002-001-003	Cooling rod	3
2	MPL-401-015-001-001	Footing	1

Standard parts:

3	Locking Ring ϕ 35 GOST 13943-86		3
4	Ring 18.525.73.67		3
5	Ring 27.534.73.67		3

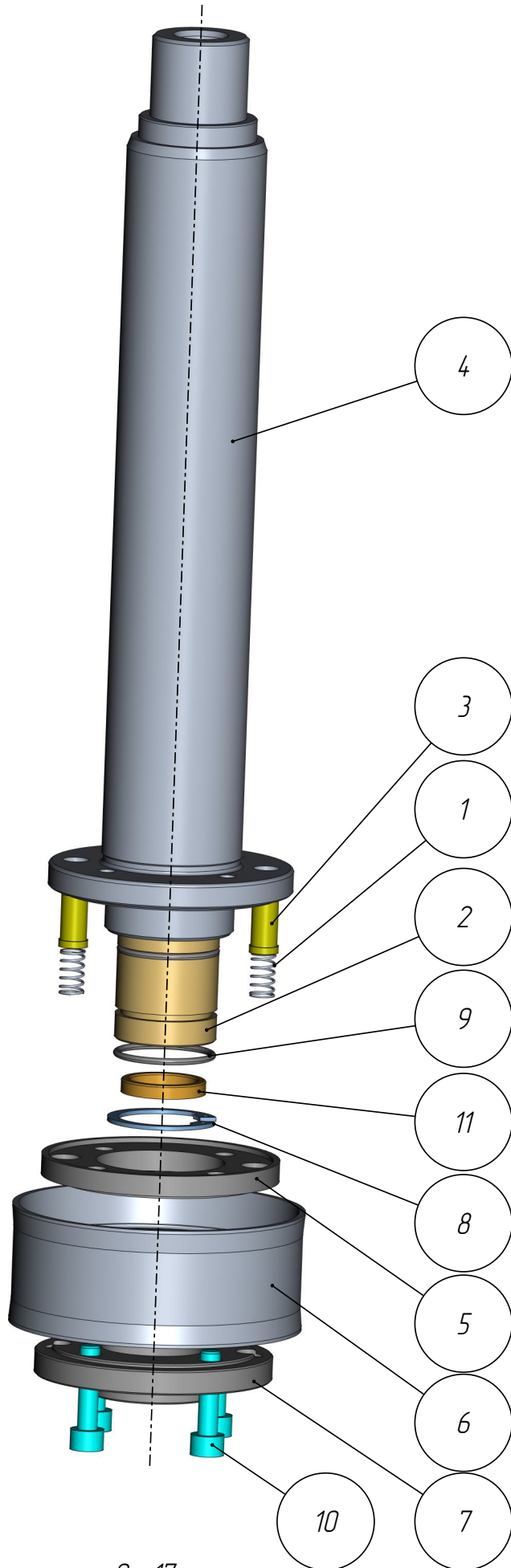


Footing
MPL-401-015-001-001



Cooling rod
MPL-401-002-001-003

MPL-401-015-001



MPL-401-015-003

MPL-401-015-003

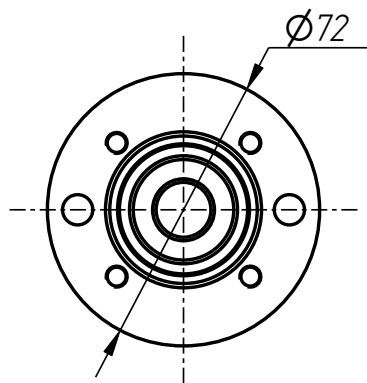
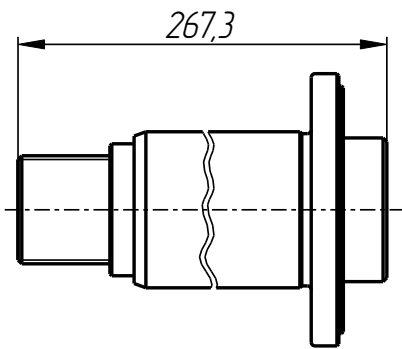
Stock assembly

Specification

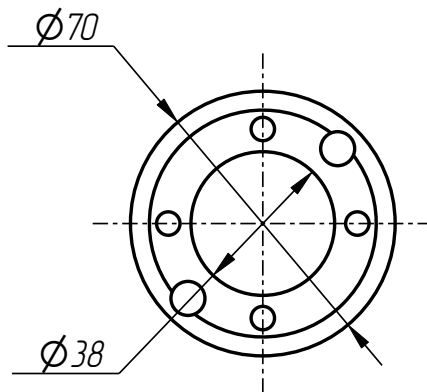
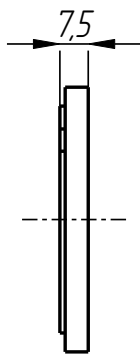
<i>N° pos.</i>	<i>Code</i>	<i>Name</i>	<i>Qty</i>
<i>Parts:</i>			
1	MPL-401-002-001-004-004	Spring	2
2	MPL-401-002-001-004-006	Bushing	1
3	MPL-401-013-001-002-002	Plug	2
4	MPL-401-015-003-001	Stack	1
5	MPL-401-015-003-002	Space plate	1
6	MPL-401-015-003-003	Piston	1
7	MPL-401-015-003-004	Flange	1

Standard parts:

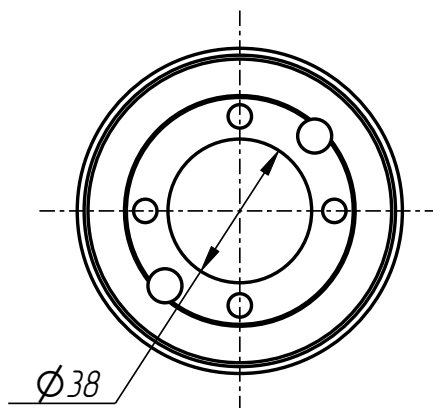
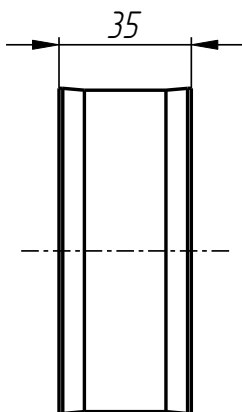
8	Locking Ring ϕ 30 GOST 13943-86	1
9	Ring 24.528.31.97	2
10	Screw M6x25 DIN 912	4
11	Sealing 20254	1



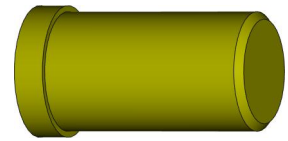
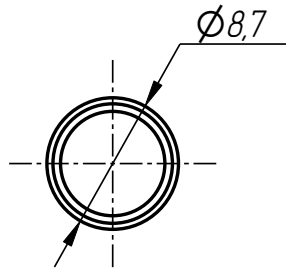
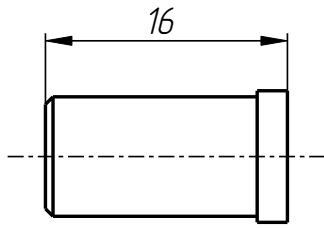
Stock
MPL-401-015-003-001



Space plate
MPL-401-015-003-002

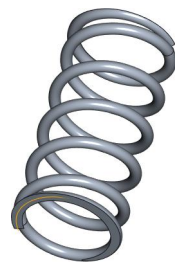
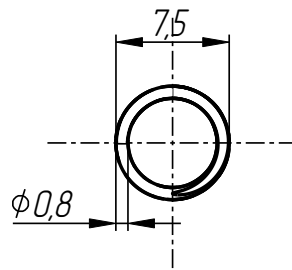
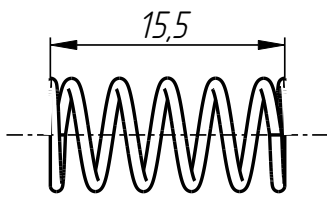


Piston
MPL-401-015-003-003



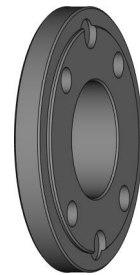
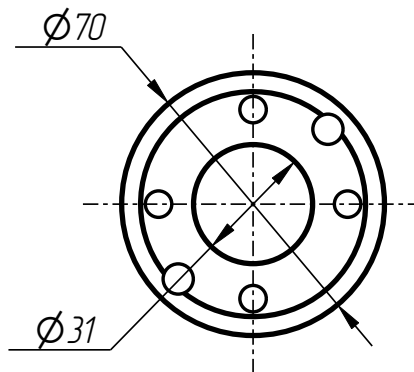
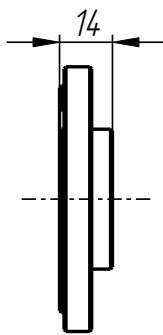
Plug

MPL-401-013-001-002-002



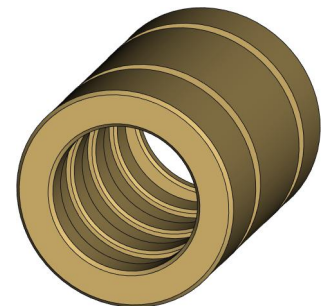
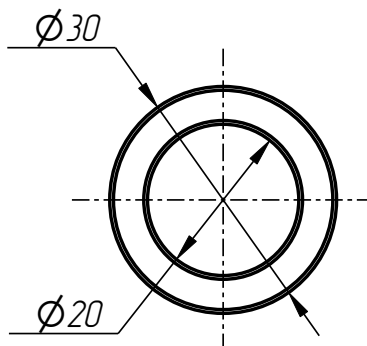
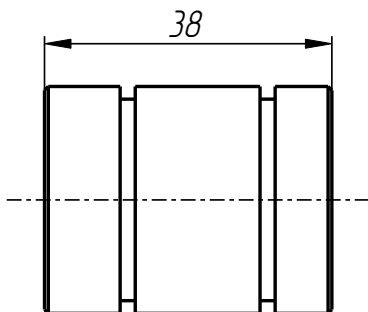
Spring

MPL-401-002-001-004-004



Flange

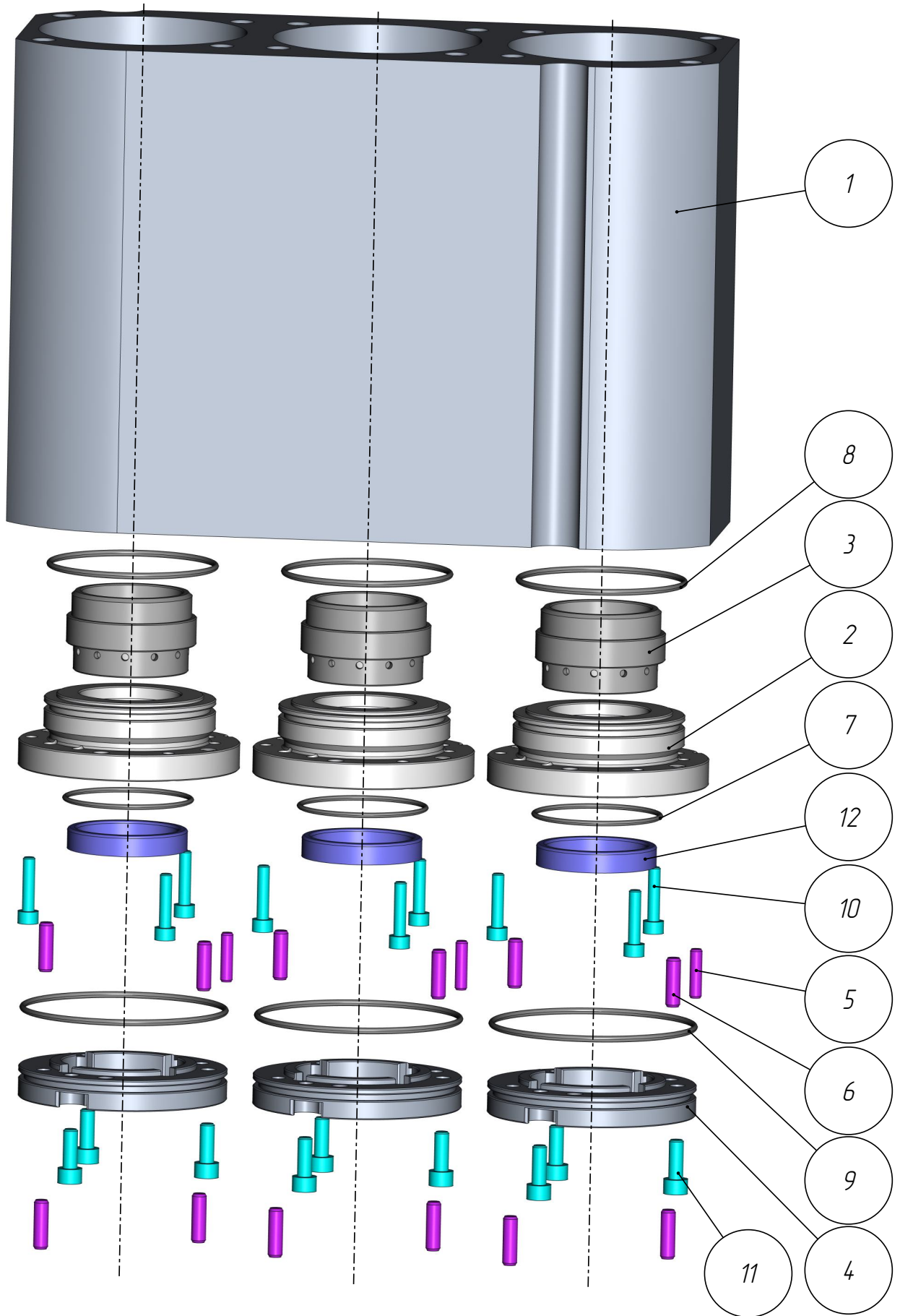
MPL-401-015-003-004



Bushing

MPL-401-002-001-004-006

MPL-401-015-003



MPL-401-015-004

MPL-401-015-004

Main body assembly

Specification

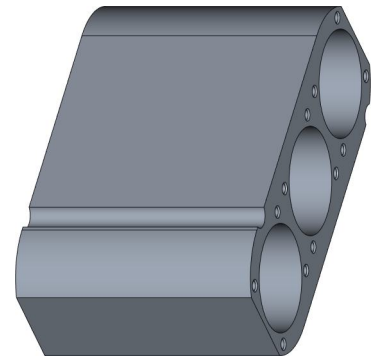
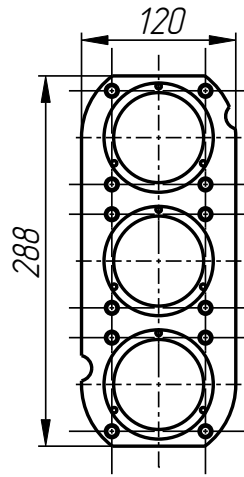
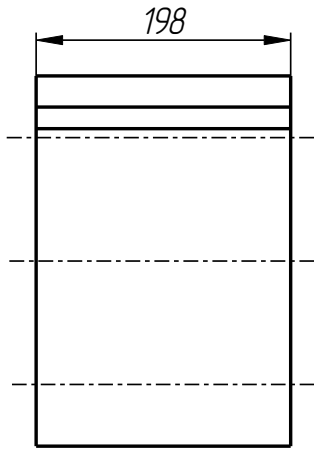
<i>Nº pos.</i>	<i>Code</i>	<i>Name</i>	<i>Qty</i>
----------------	-------------	-------------	------------

Parts:

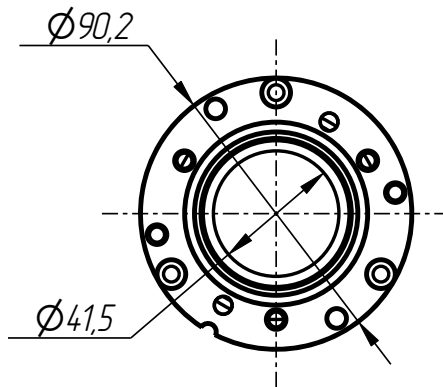
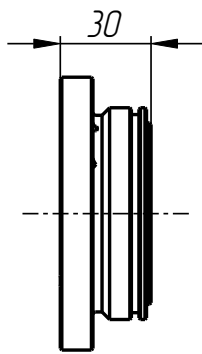
1	MPL-401-015-004-001	Main body	1
2	MPL-401-015-004-002	Flange	3
3	MPL-401-015-004-003	Bushing	3
4	MPL-401-015-004-004	Flange	3

Standard parts:

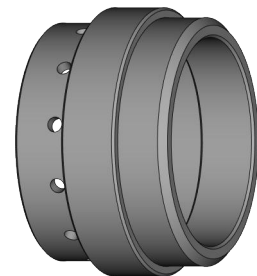
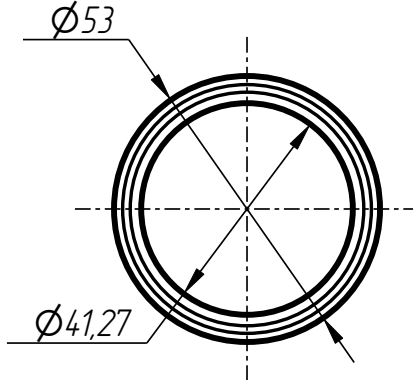
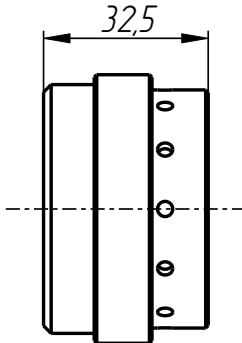
5	Pin 5Гx20 GOST 3128-70	3
6	Pin 6Гx20 GOST 3128-70	12
7	Ring 4.75.22.57	3
8	Ring 63.568.52.57	3
9	Ring 78.583.52.57	3
10	Screw M5x22 DIN 912	9
11	Screw M6x16 DIN 912	9
12	Sealing 41.27498	3



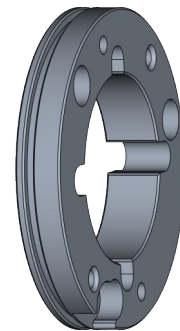
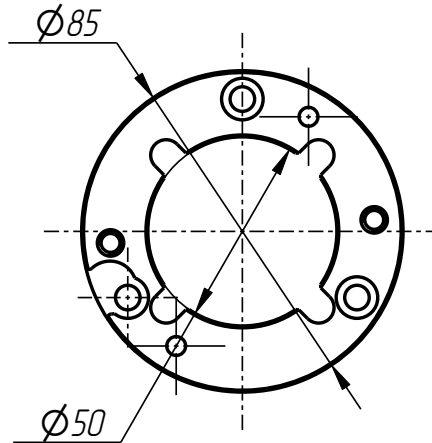
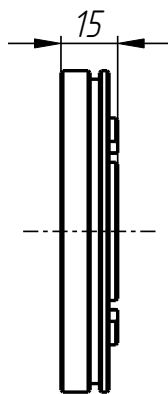
Main body
MPL-401-015-004-001



Flange
MPL-401-015-004-002

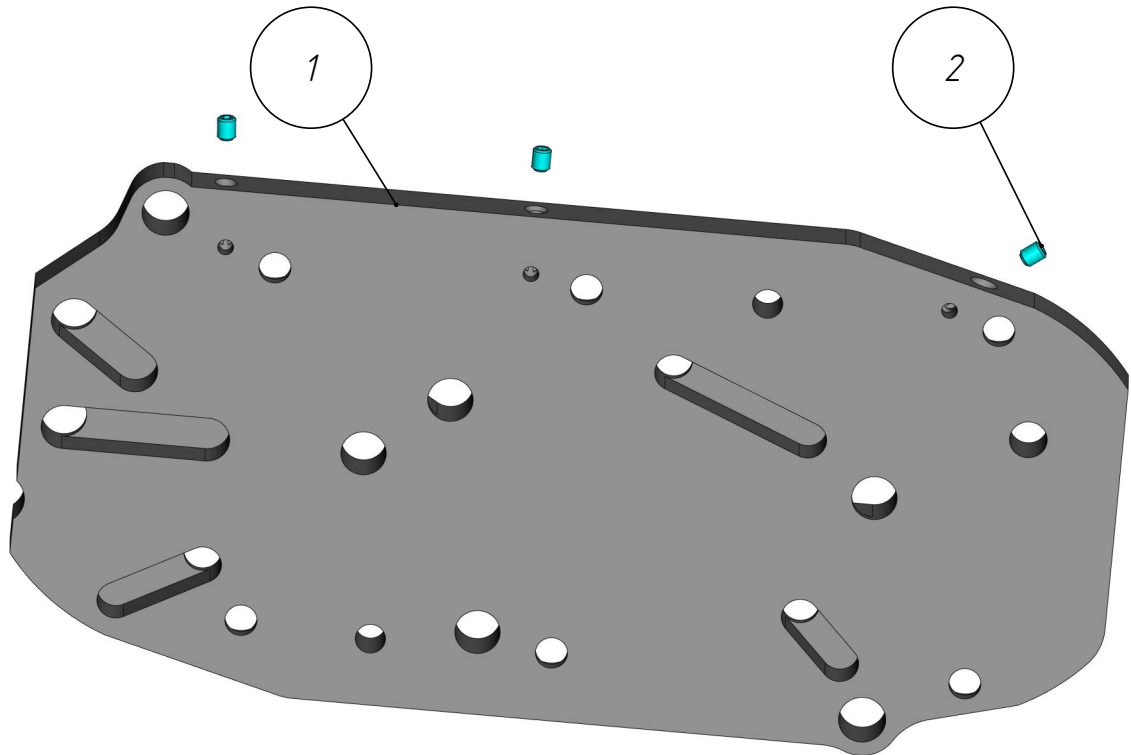


Bushing
MPL-401-015-004-003



Flange
MPL-401-015-004-004

MPL-401-015-004



MPL-401-015-007

Plate assembly

Specification

<i>Nº pos.</i>	<i>Code</i>	<i>Name</i>	<i>Qty</i>
----------------	-------------	-------------	------------

Parts:

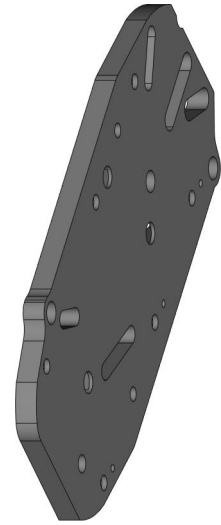
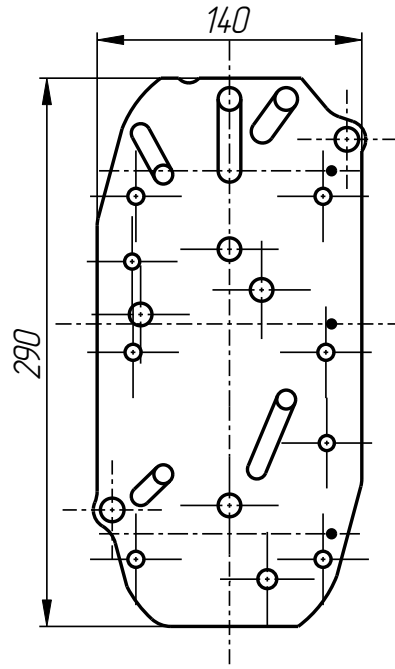
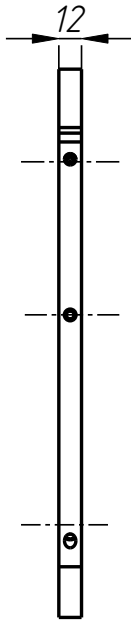
1	MPL-401-015-007-001	Lower plate	1
---	---------------------	-------------	---

Standard parts:

2	Screw M5x6 GOST 11074-93		3
---	--------------------------	--	---

Plate assembly
MPL-401-015-007

401



Lower plate
MPL-401-015-007-001

MPL-401-015-007