

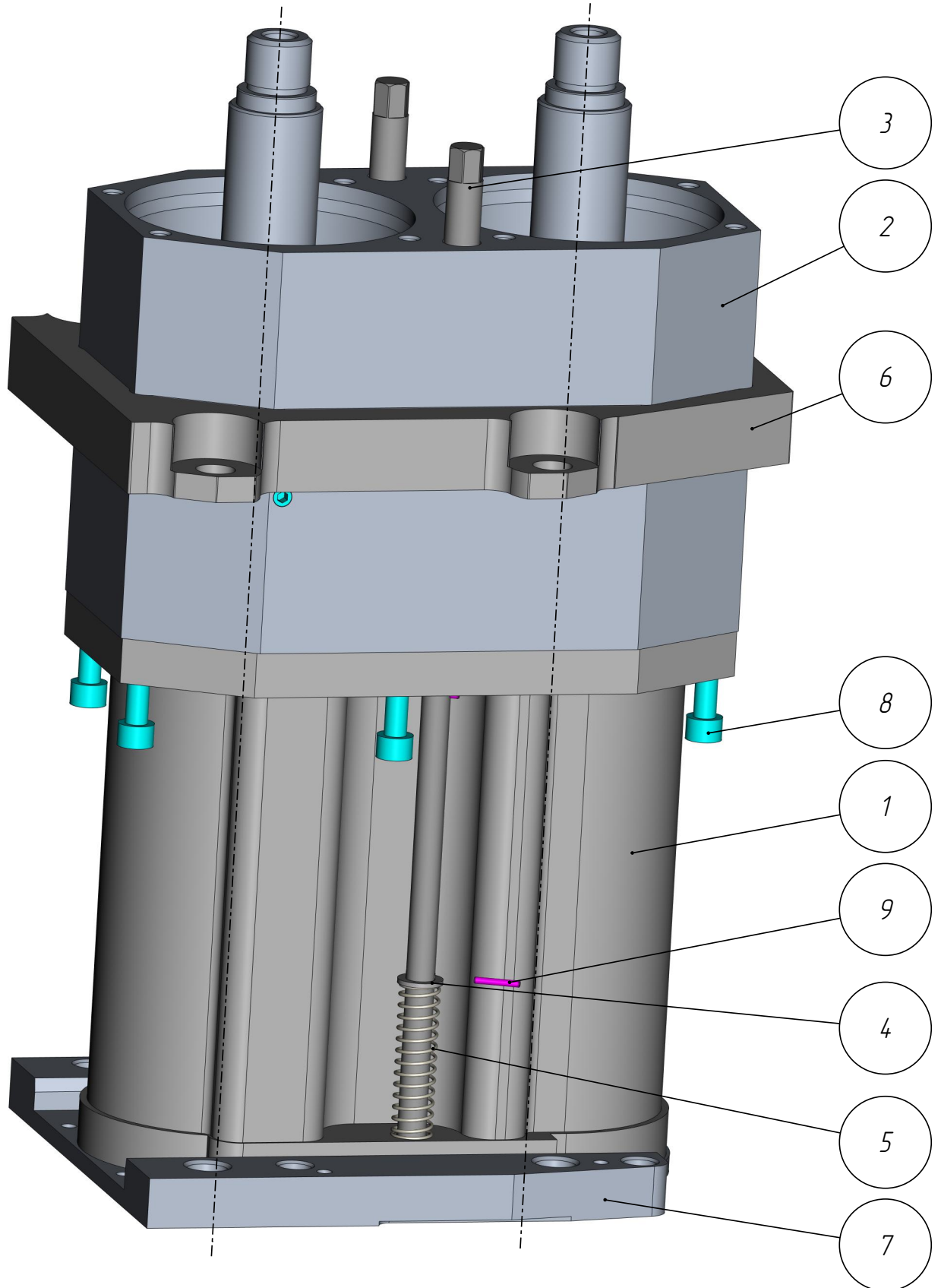
401

MPL-401-014

*Plunger mechanism
(P-B962-3058M7)*

Plunger mechanism
(P-B962-3058M7)
MPL-401-014

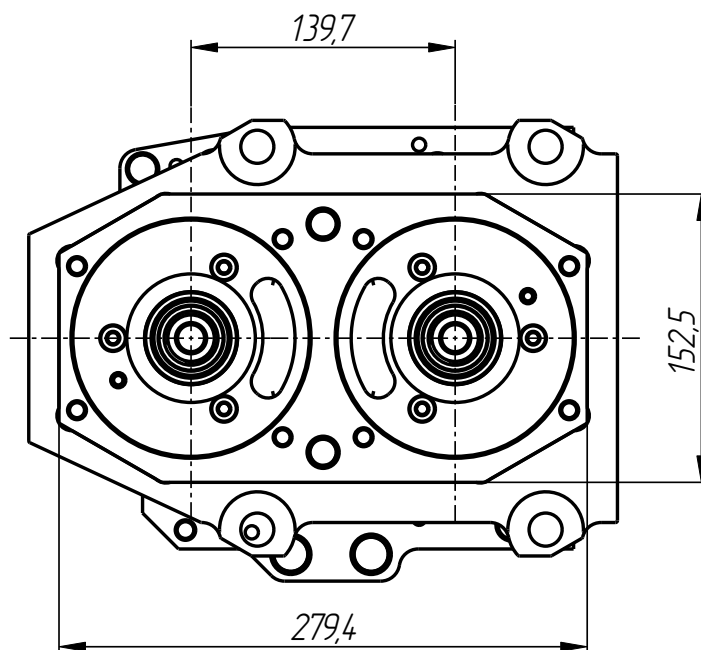
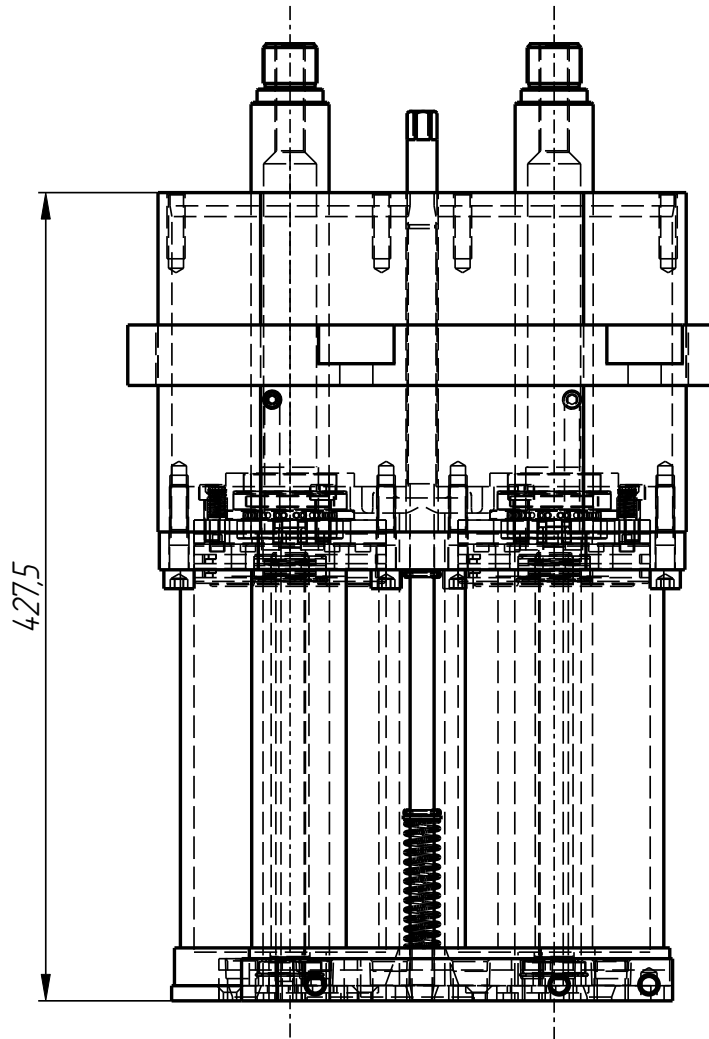
401



MPL-401-014

Plunger mechanism
(P-B962-3058M7)
MPL-401-014

401



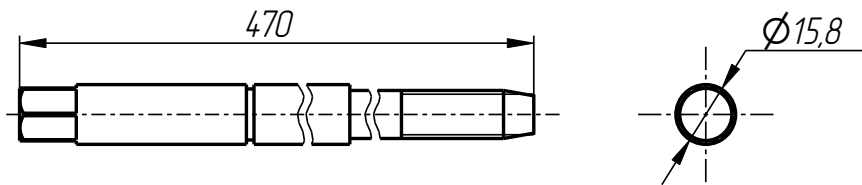
MPL-401-014

MPL-401-014

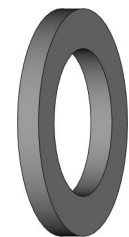
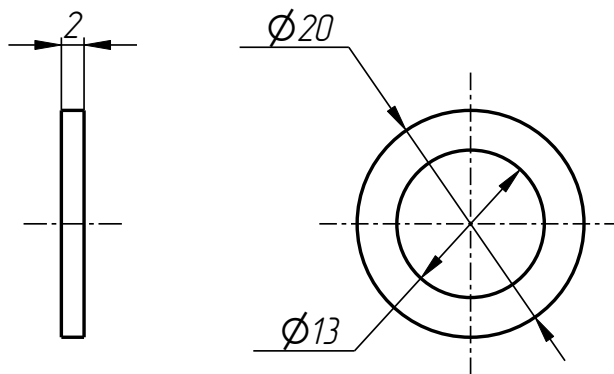
Plunger mechanism
(P-B962-3058M7)

Specification

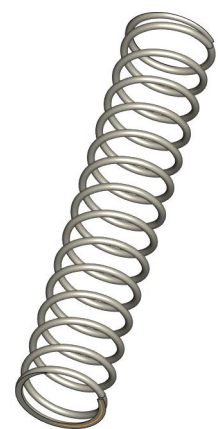
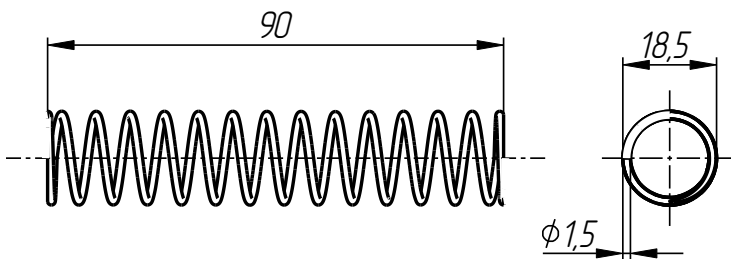
<i>Nº pos.</i>	<i>Code</i>	<i>Name</i>	<i>Qty</i>
<i>Сборочные единицы:</i>			
1	MPL-401-014-001	Lower block	1
2	MPL-401-014-002	Upper block	1
<i>Parts:</i>			
3	MPL-401-002-003	Screw	2
4	MPL-401-002-004	Washer	2
5	MPL-401-002-005	Spring	2
6	MPL-401-013-003	Frame	1
7	MPL-401-014-003	Plate	1
<i>Standard parts:</i>			
8	Screw M10x45 DIN 912		6
9	Spring pin ϕ 3x20 DIN 1481		4



Screw
MPL-401-002-003



Washer
MPL-401-002-004



Spring
MPL-401-002-005

MPL-401-014

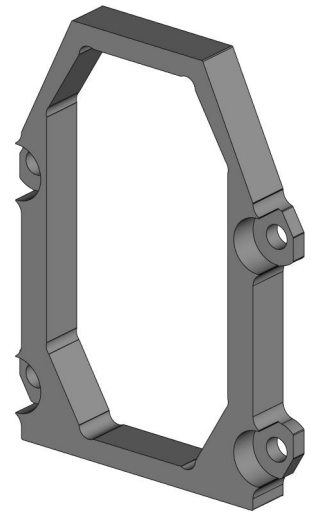
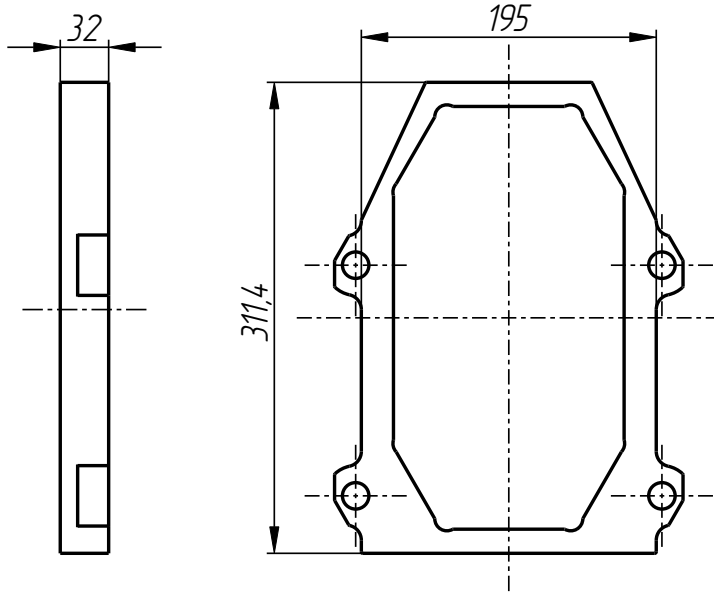
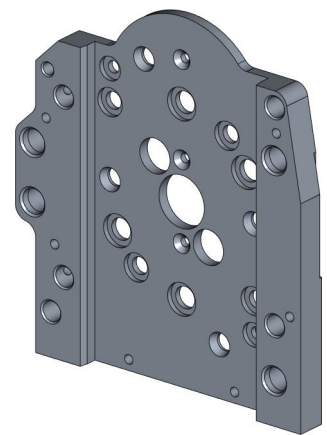
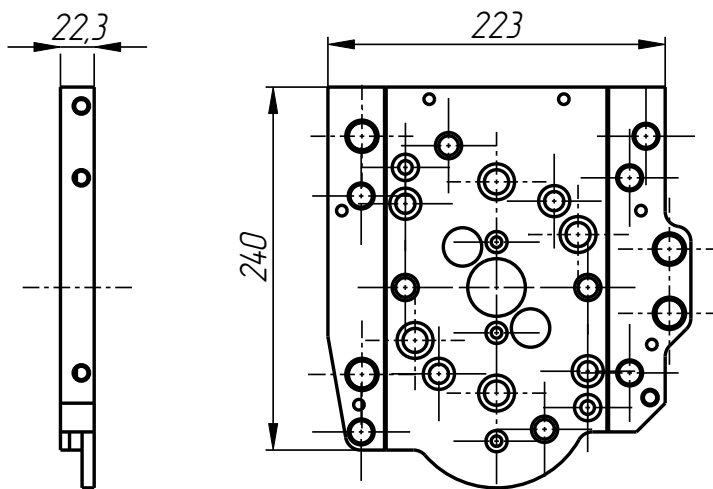
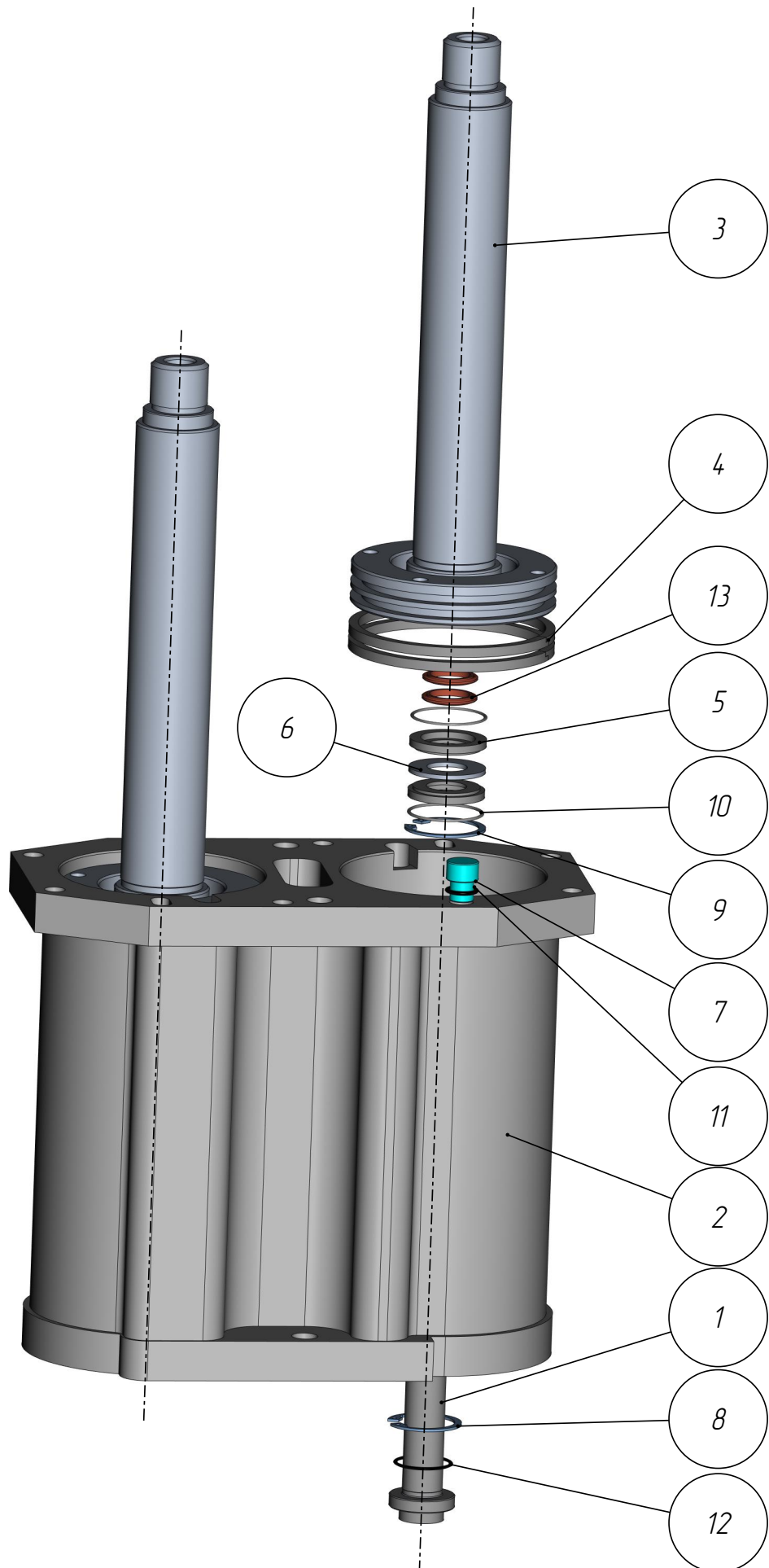


Plate
MPL-401-014-003



Frame
MPL-401-013-003

MPL-401-014



MPL-401-014-001

MPL-401-014-001

Lower block

Specification

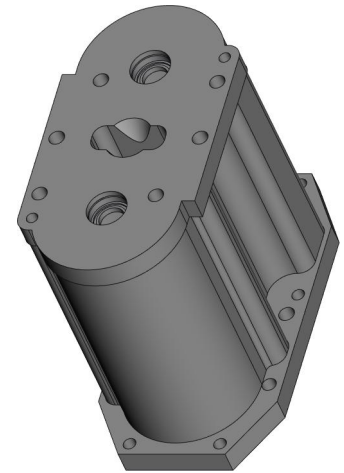
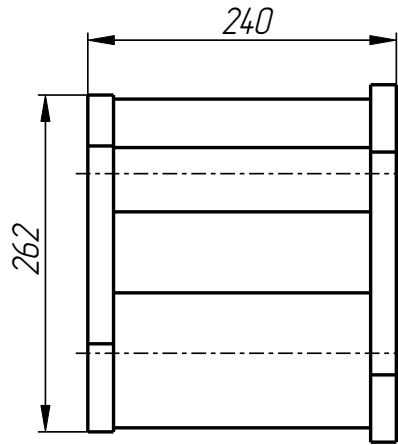
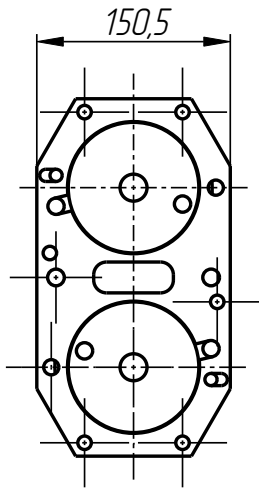
<i>Nº pos.</i>	<i>Code</i>	<i>Name</i>	<i>Qty</i>
<i>Parts:</i>			
1	MPL-401-002-001-003	Cooling rod	2
2	MPL-401-014-001-001	Main body	1
3	MPL-401-014-001-002	Stack	2
4	MPL-401-014-001-003	Piston ring	4
5	MPL-401-014-001-004	Washer	4
6	MPL-401-014-001-005	Washer	2
7	MPL-401-014-001-006	Plug	2

Standard parts:

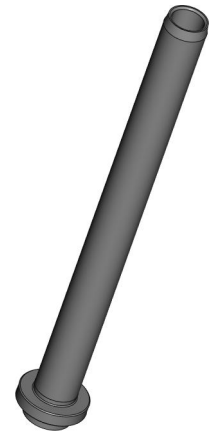
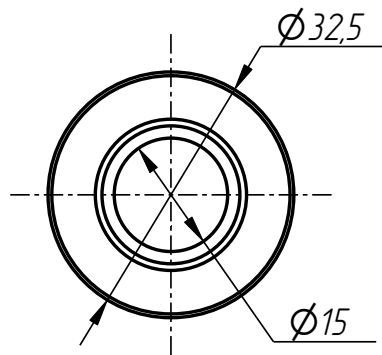
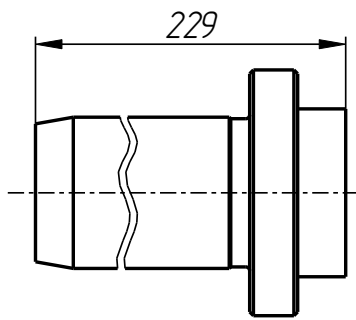
8	Locking Ring ϕ 15 GOST 13943-86	2
9	Locking Ring ϕ 38 GOST 13943-86	2
10	O-34.651.78	4
11	Ring 11.616.62.57	2
12	Ring 25.529.31.97	2
13	Seal 61.5020.3016	4

Lower block
MPL-401-014-001

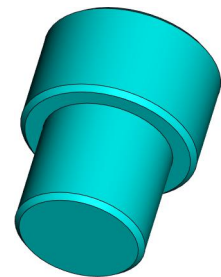
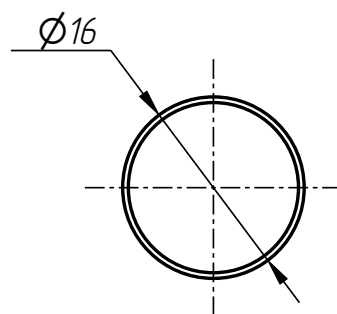
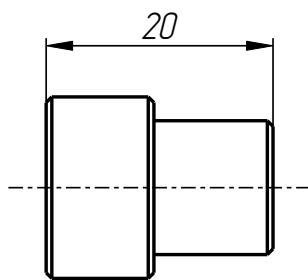
401



Main body
MPL-401-014-001-001



Cooling rod
MPL-401-002-001-003

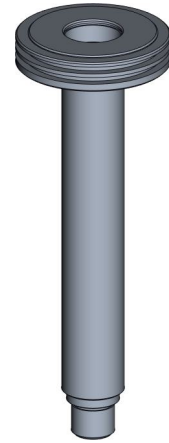
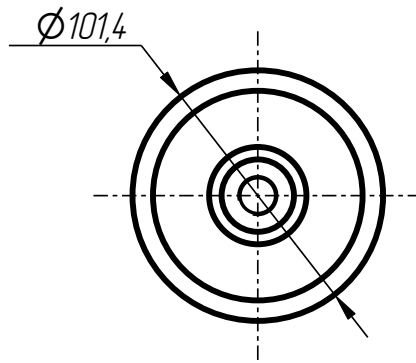
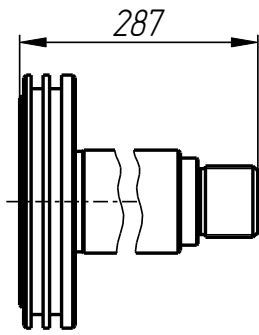


Plug
MPL-401-014-001-006

MPL-401-014-001

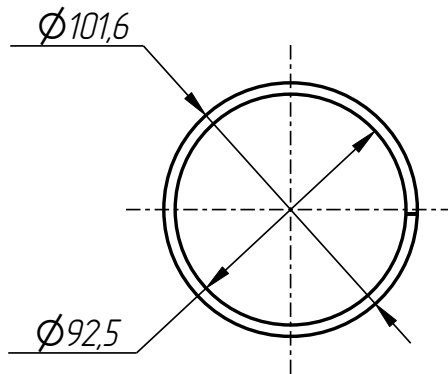
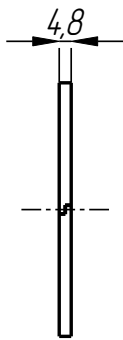
Lower block
MPL-401-014-001

401



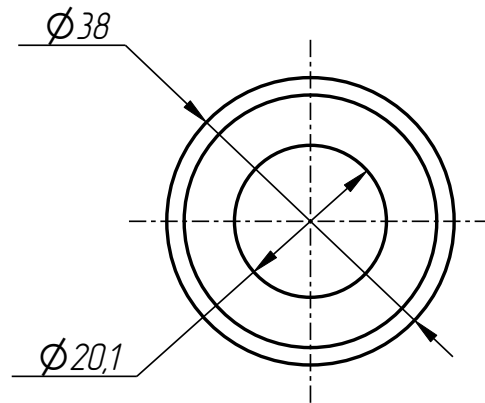
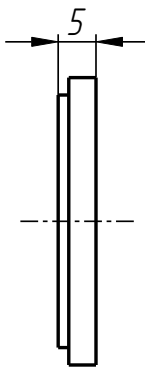
Stock

MPL-401-014-001-002



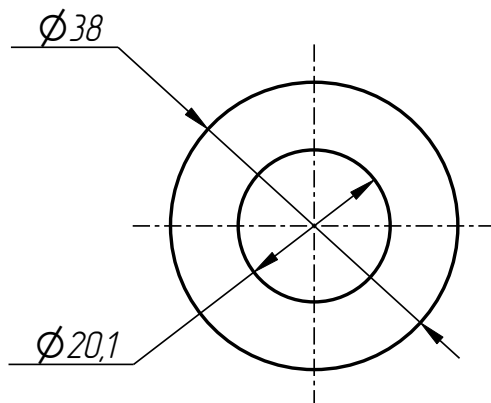
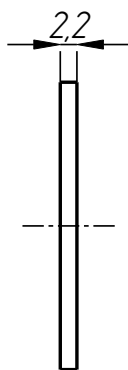
Piston ring

MPL-401-014-001-003



Washer

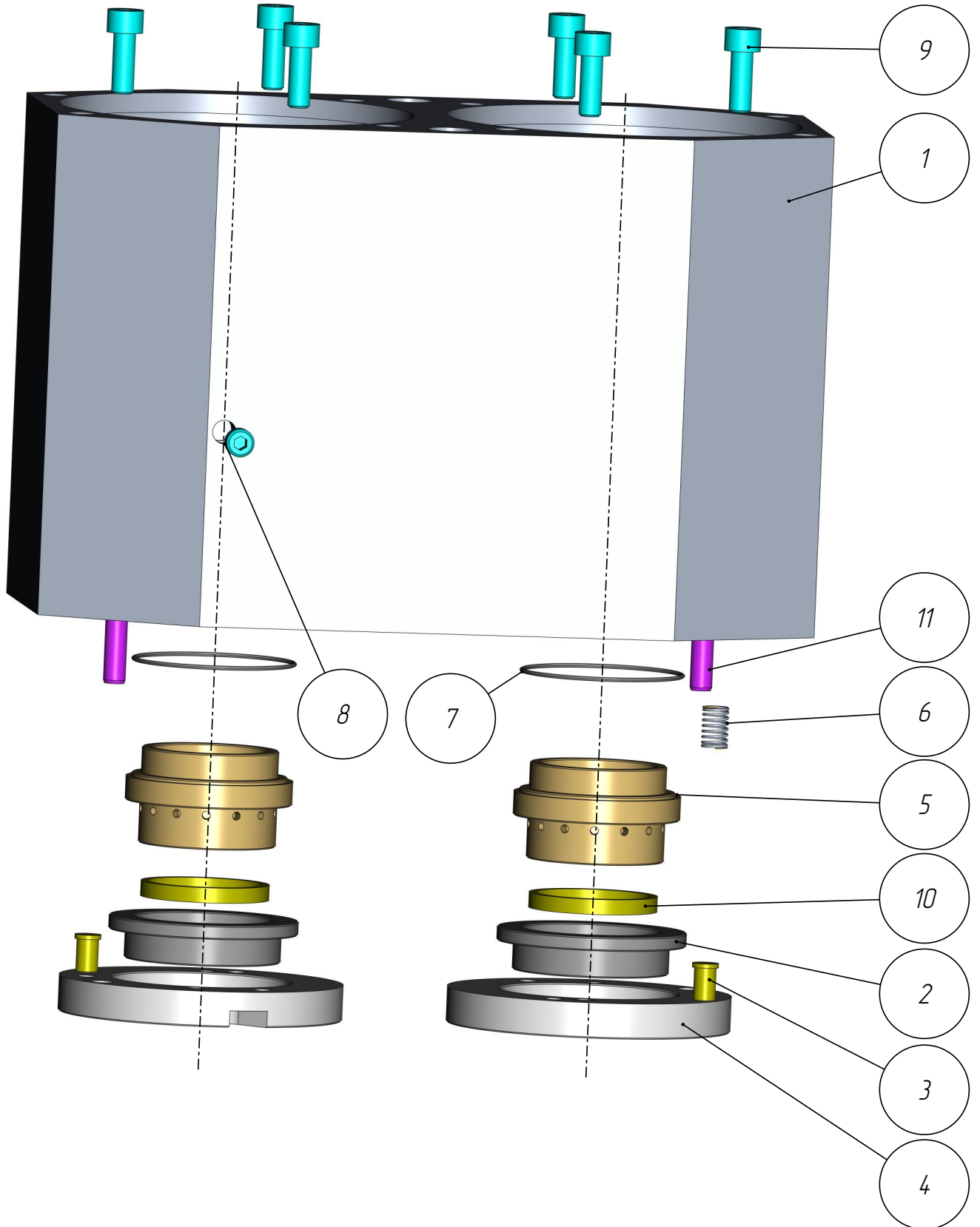
MPL-401-014-001-004



Washer

MPL-401-014-001-005

MPL-401-014-001



MPL-401-014-002

MPL-401-014-002

Upper block

Specification

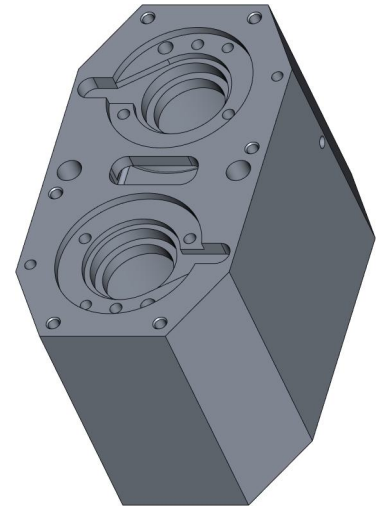
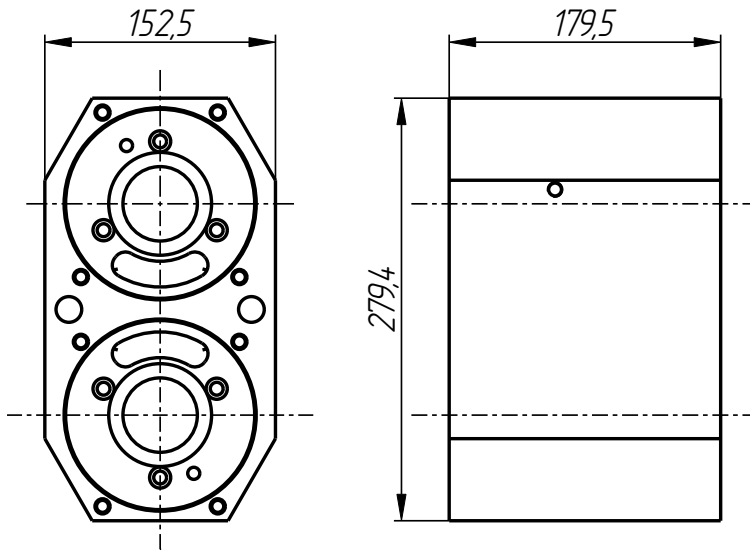
<i>N° pos.</i>	<i>Code</i>	<i>Name</i>	<i>Qty</i>
<i>Parts:</i>			
1	MPL-401-014-002-001	Main body	1
2	MPL-401-014-002-002	Bushing	2
3	MPL-401-014-002-003	Plug	2
4	MPL-401-014-002-004	Bushing	2
5	MPL-401-014-002-005	Bushing	2
6	MPL-401-014-002-006	Spring	2

Standard parts:

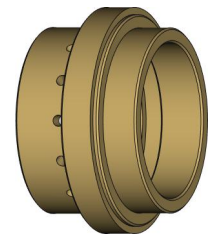
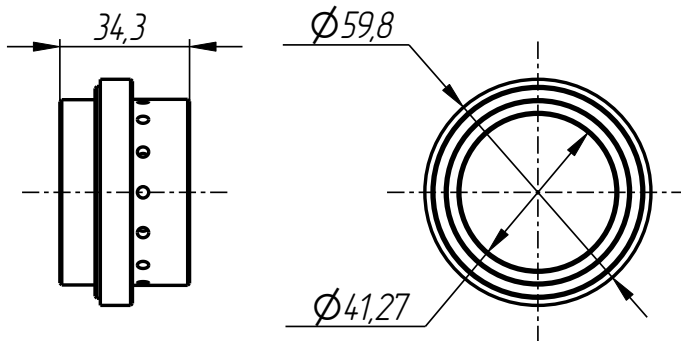
7	Ring 4952.81.97	2
8	Screw M10x8 GOST 11074-93	2
9	Screw M8x22 DIN 912	6
10	Sealing 1.41465.4	2
11	Spring pin 8x30 ГОСТ 10774-75	2

Upper block
MPL-401-014-002

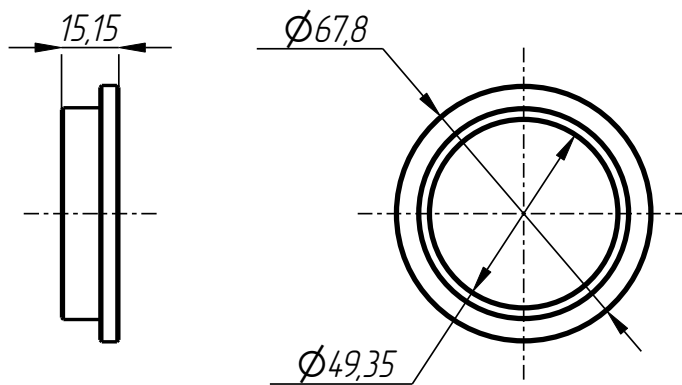
401



Main body
MPL-401-014-002-001



Bushing
MPL-401-014-002-005

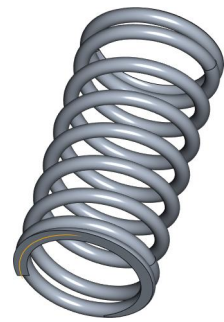
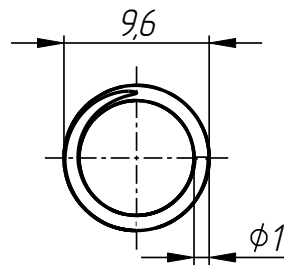
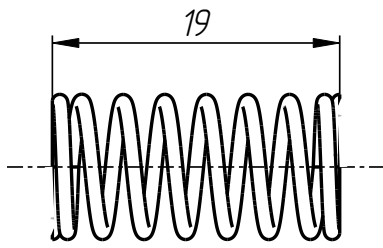


Bushing
MPL-401-014-002-002

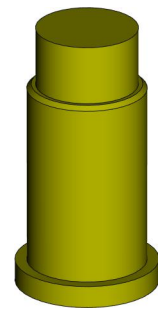
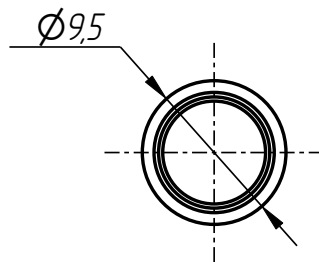
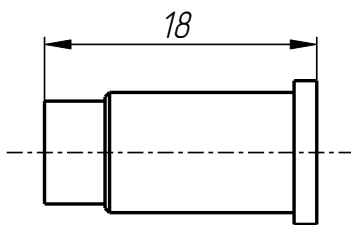
MPL-401-014-002

Upper block
MPL-401-014-002

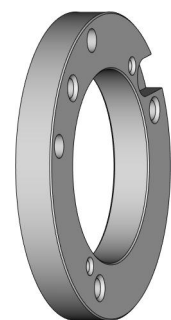
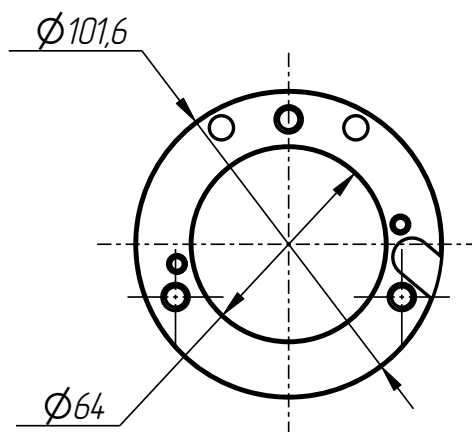
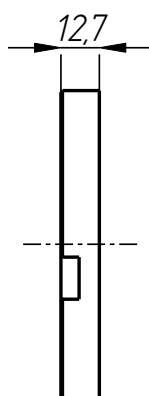
401



Spring
MPL-401-014-002-006



Plug
MPL-401-014-002-003



Bushing
MPL-401-014-002-004

MPL-401-014-002