

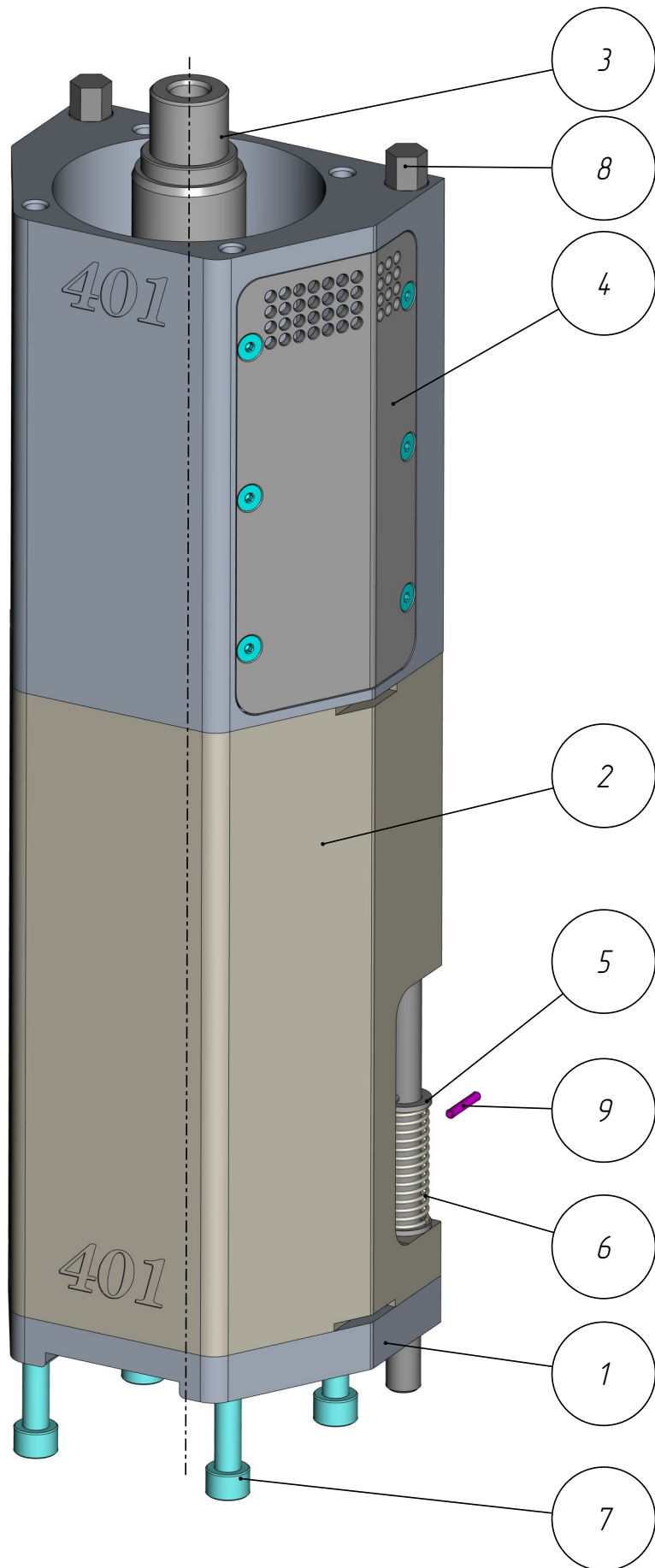
401

MPL-401-011

*Plunger mechanism
(07118252-06-M-V1)*

Plunger mechanism
(07118252-06-M-V1)
MPL-401-011

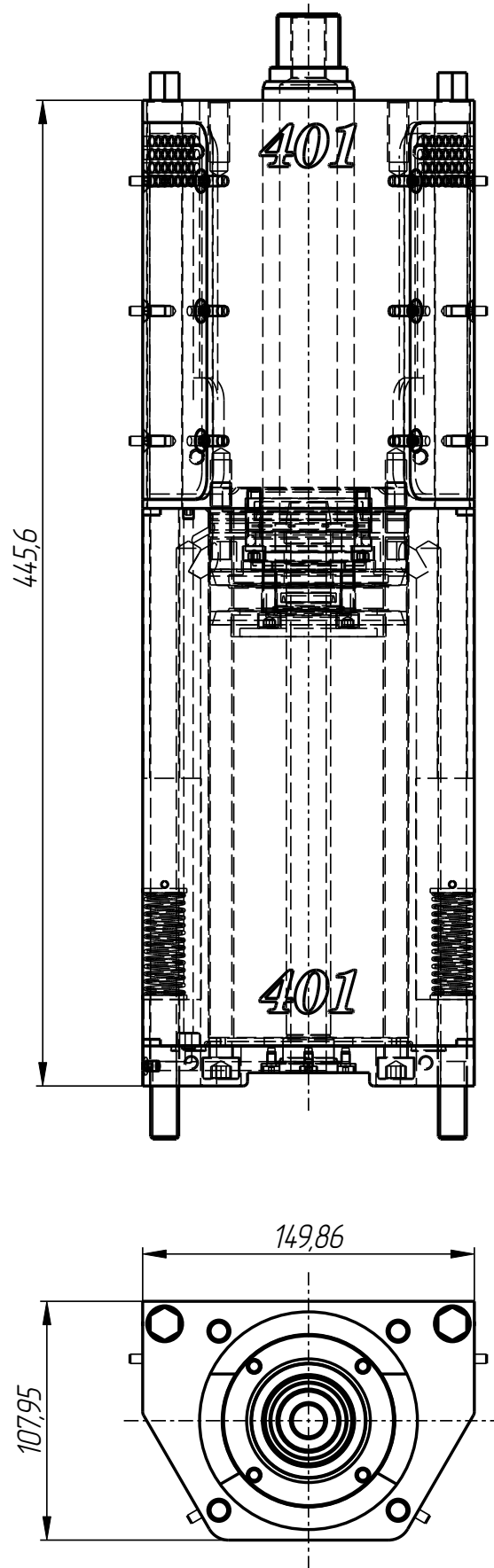
401



MPL-401-011

Plunger mechanism
(07118252-06-M-V1)
MPL-401-011

401



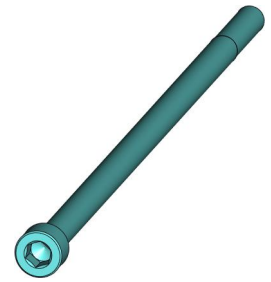
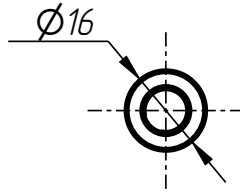
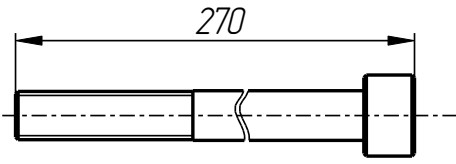
MPL-401-011

MPL-401-011

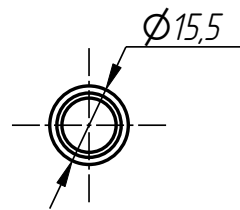
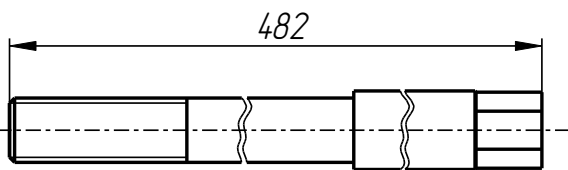
Plunger mechanism
(07118252-06-M-V1)

Specification

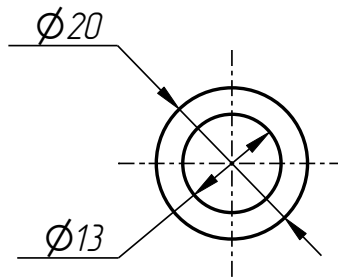
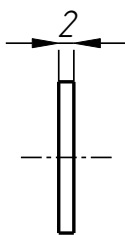
<i>N° pos.</i>	<i>Code</i>	<i>Name</i>	<i>Qty</i>
<i>Сборочные единицы:</i>			
1	MPL-401-010-001	Plate assembly	1
2	MPL-401-010-002	Stock assembly	1
3	MPL-401-010-003	Cylinder assembly	1
4	MPL-401-010-004	Main body assembly	1
<i>Parts:</i>			
5	MPL-401-002-004	Washer	4
6	MPL-401-002-005	Spring	2
7	MPL-401-010-005	Screw	4
8	MPL-401-010-006	Screw	2
<i>Standard parts:</i>			
9	Spring pin $\phi 5 \times 20$ DIN 1481		2



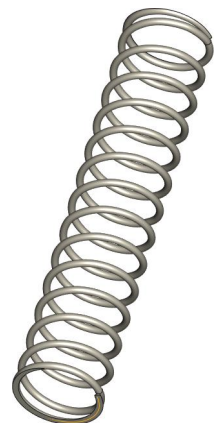
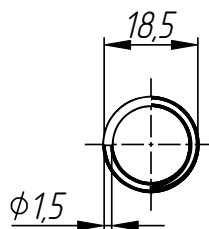
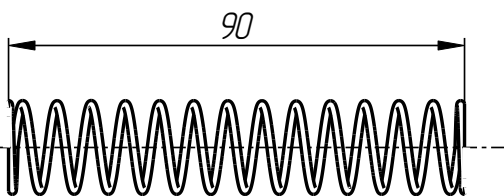
Screw
MPL-401-010-005



Screw
MPL-401-010-006

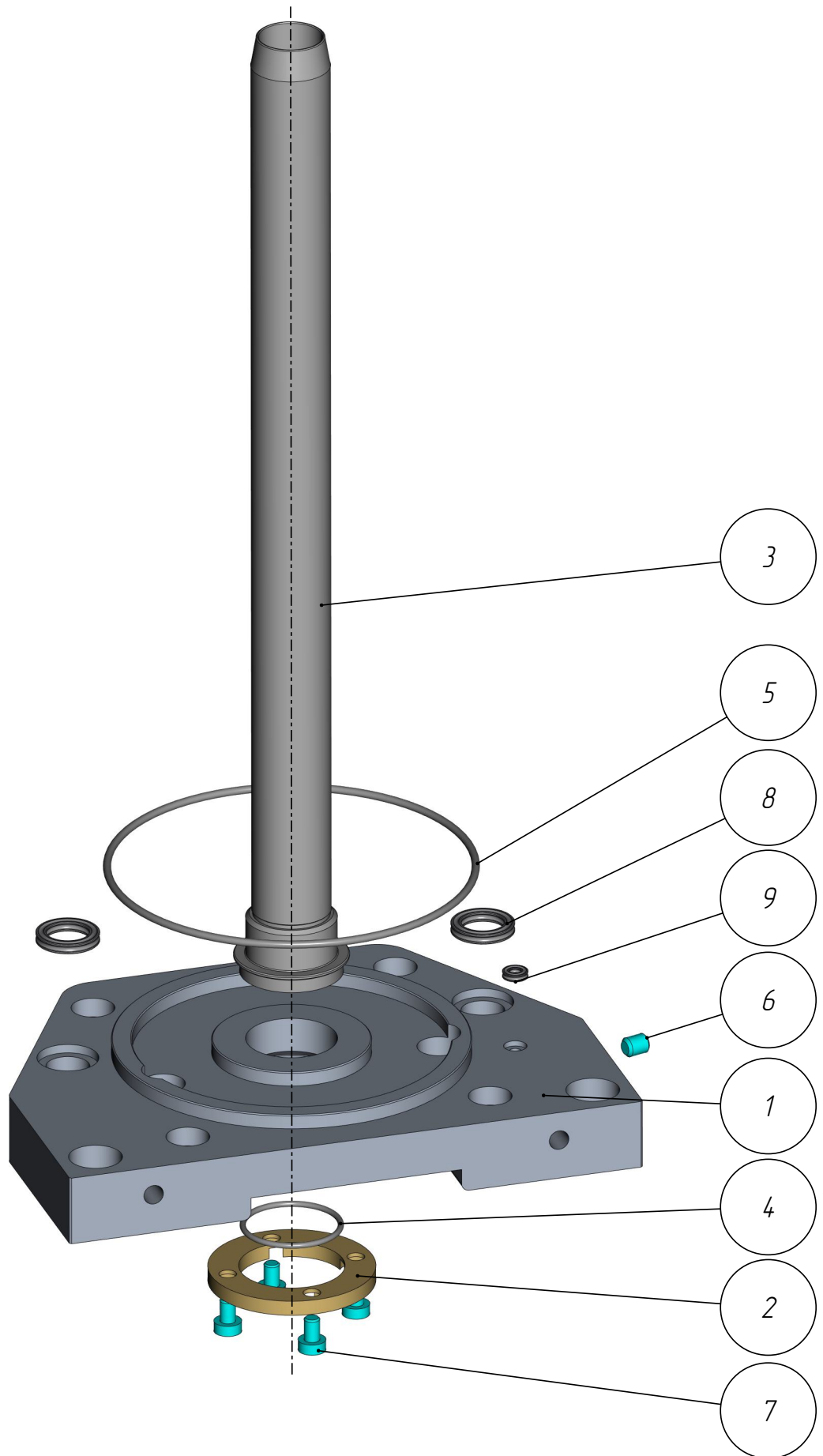


Washer
MPL-401-002-004



Spring
MPL-401-002-005

MPL-401-011



MPL-401-010-001

MPL-401-010-001

Plate assembly

Specification

<i>Nº pos.</i>	<i>Code</i>	<i>Name</i>	<i>Qty</i>
----------------	-------------	-------------	------------

Parts:

1	MPL-401-010-001-001	Plate	1
2	MPL-401-010-001-002	Ring	1
3	MPL-401-010-001-003	Cooling tube	1

Standard parts:

4	O-231.5		1
5	O-902		1
6	Screw M5x6 GOST 11074-93		1
7	Screw x DIN 7984		4
8	X-10.772.62		2
9	X-2.91.78		1

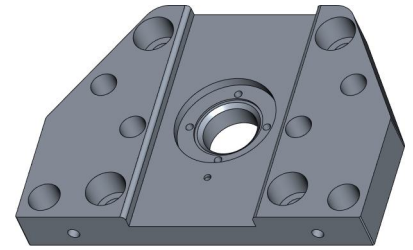
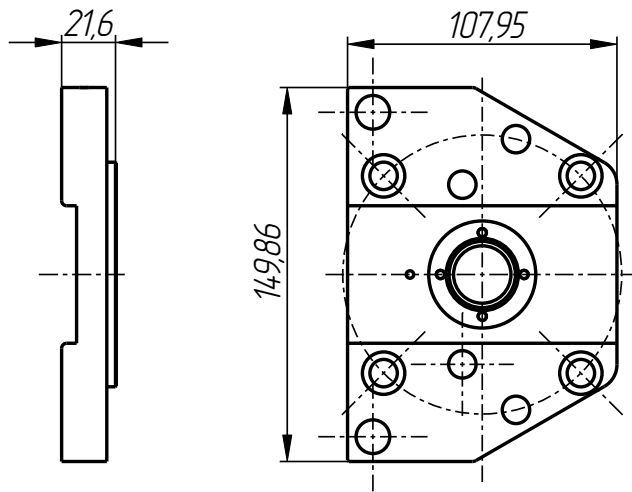
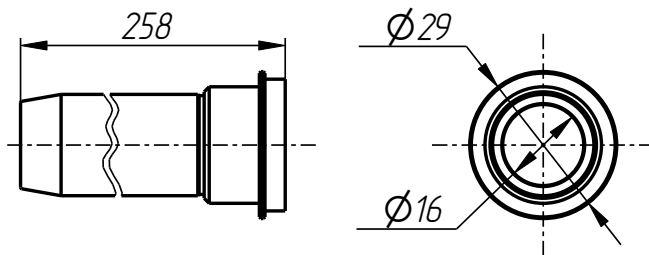
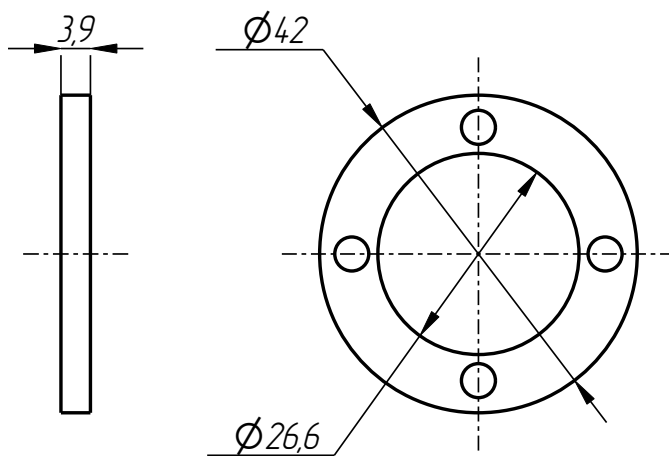


Plate
MPL-401-010-001-001

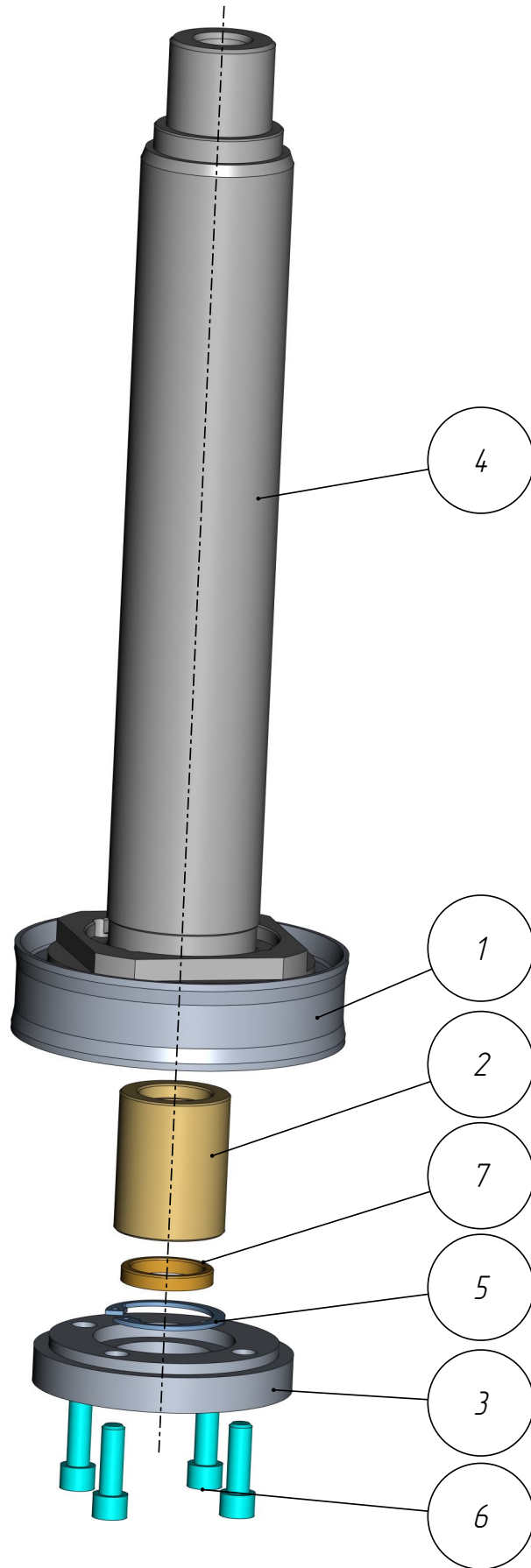


Cooling tube
MPL-401-010-001-003



Ring
MPL-401-010-001-002

MPL-401-010-001



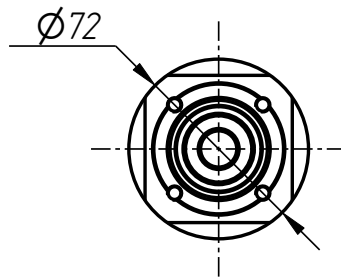
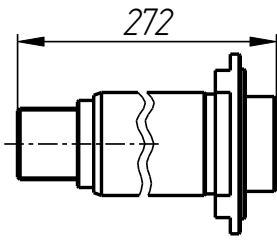
MPL-401-011-002

MPL-401-010-002

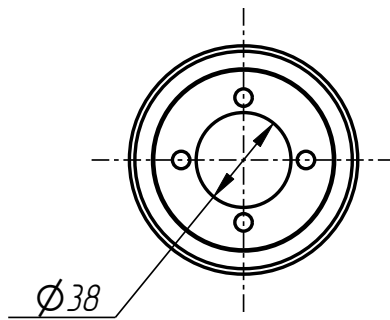
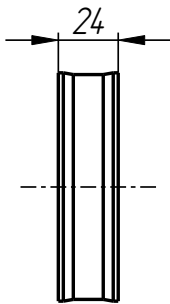
Stock assembly

Specification

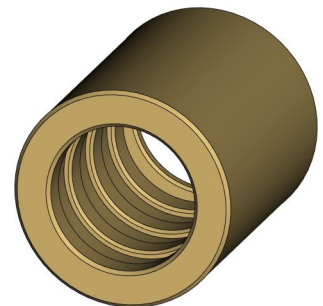
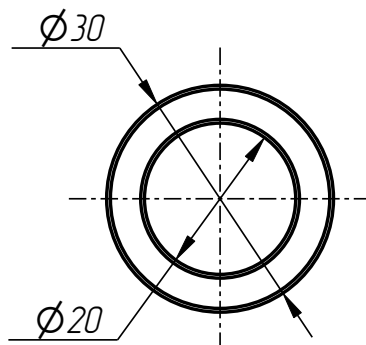
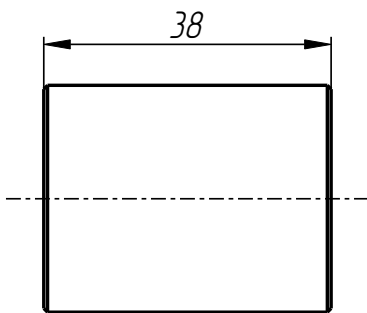
<i>Nº pos.</i>	<i>Code</i>	<i>Name</i>	<i>Qty</i>
<i>Parts:</i>			
1	MPL-401-001-010	Piston	1
2	MPL-401-003-003-003	Bushing	1
3	MPL-401-010-002-001	Flange	1
4	MPL-401-010-002-002	Stack	1
<i>Standard parts:</i>			
5	Locking Ring $\phi 30$ GOST 13943-86		1
6	Screw UNC1/4"-20x3/4" DIN 912		4
7	Sealing 20254		1



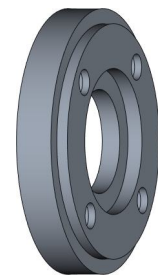
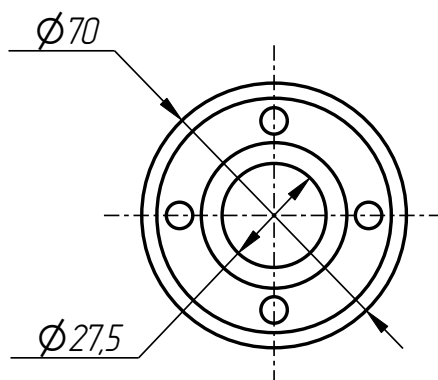
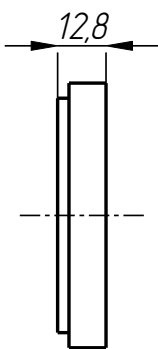
Stock
MPL-401-010-002-002



Piston
MPL-401-001-010

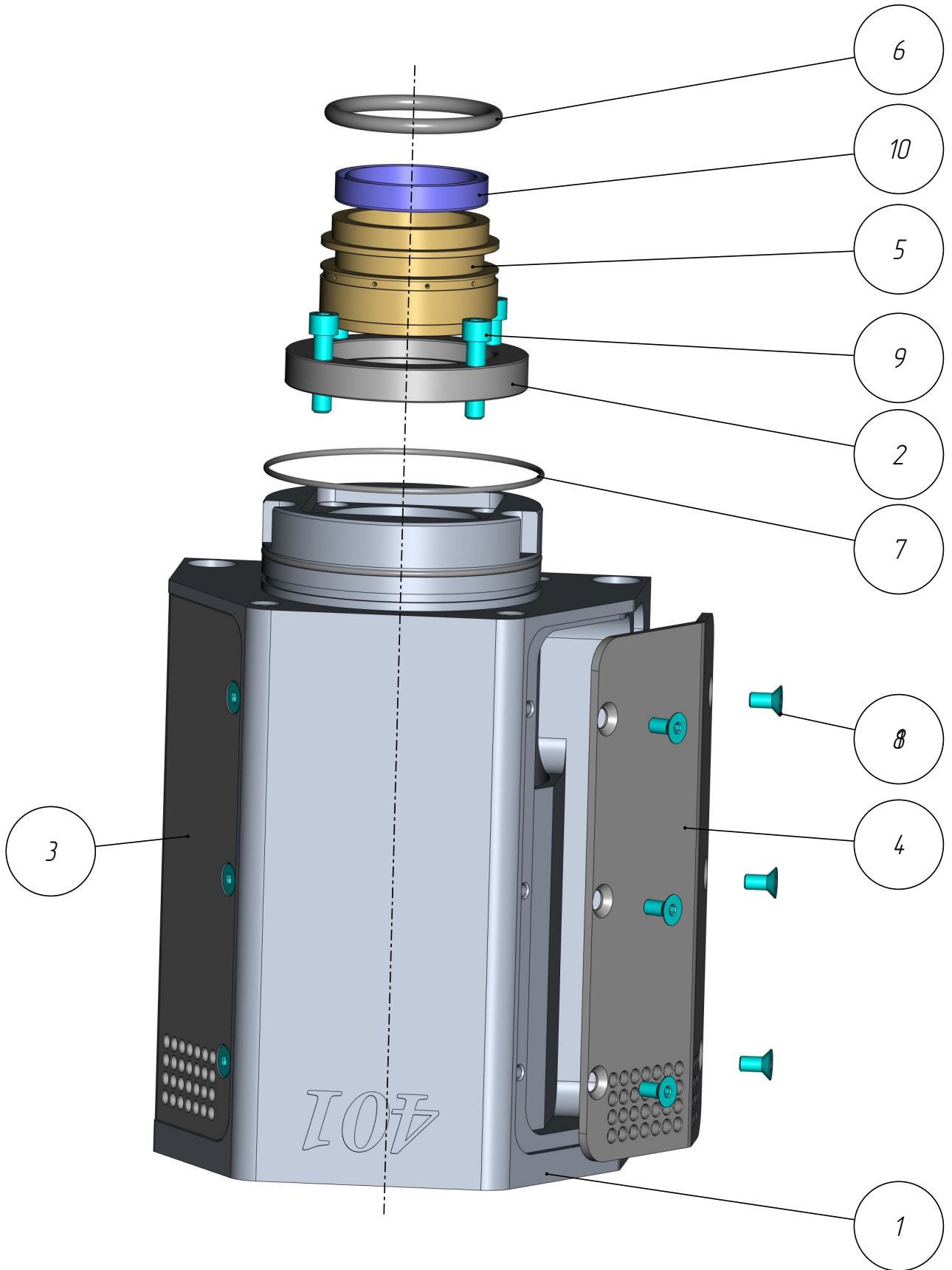


Bushing
MPL-401-003-003-003



Flange
MPL-401-010-002-001

MPL-401-011-002



MPL-401-011-004

MPL-401-010-004

Main body assembly

Specification

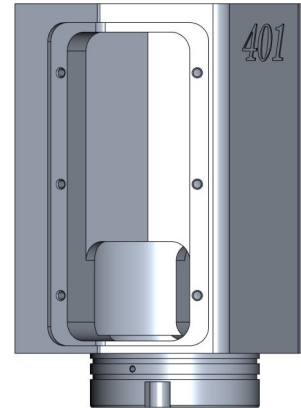
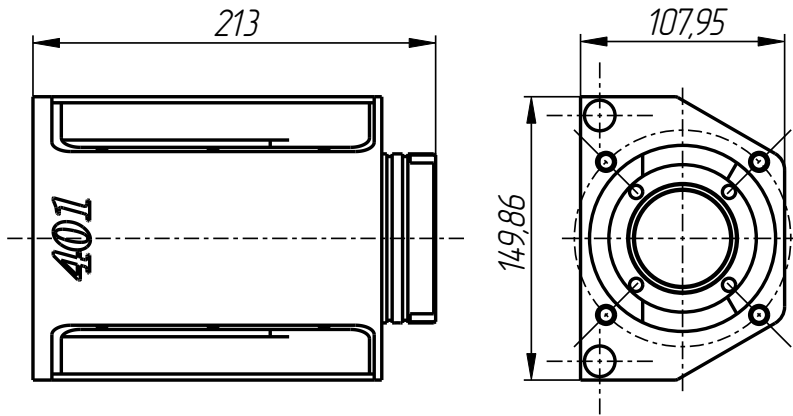
<i>N° pos.</i>	<i>Code</i>	<i>Name</i>	<i>Qty</i>
----------------	-------------	-------------	------------

Parts:

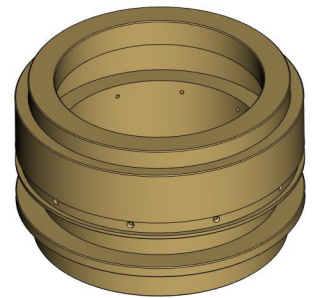
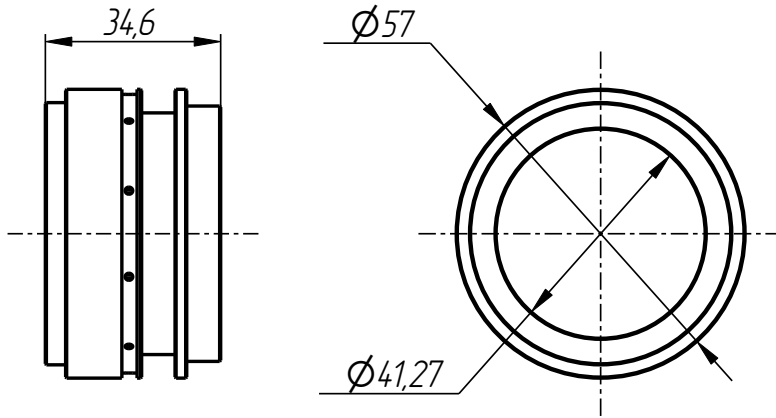
1	MPL-401-010-004-001	Cylinder	1
2	MPL-401-010-004-003	Ring	1
3	MPL-401-010-004-004	Plate	1
4	MPL-401-010-004-005	Plate	1
5	MPL-401-011-004-001	Bushing	1

Standard parts:

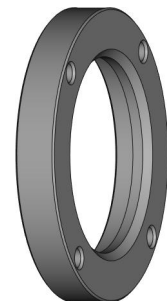
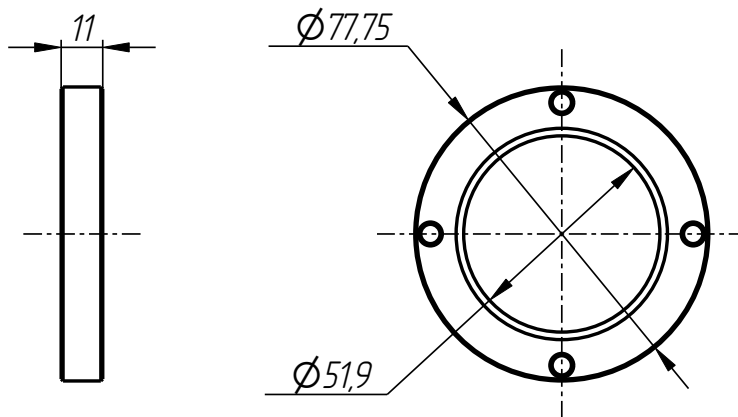
6	O-485		1
7	O-862		2
8	Screw M5x10 DIN 7991		12
9	Screw UNC1/4"-20x1" DIN 912		4
10	Sealing 41.27498		1



Cylinder
MPL-401-010-004-001



Bushing
MPL-401-011-004-001



Ring
MPL-401-010-004-003

MPL-401-011-004

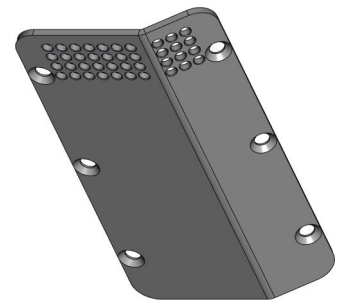
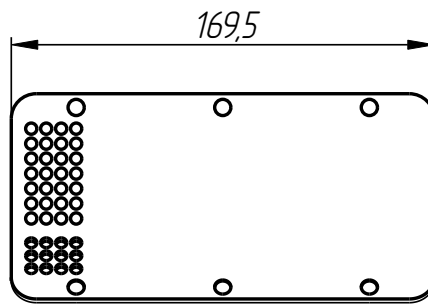
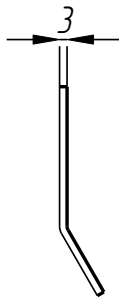


Plate
MPL-401-010-004-004

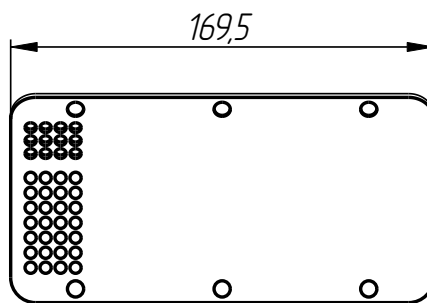
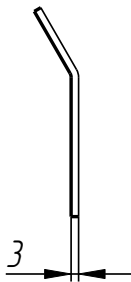
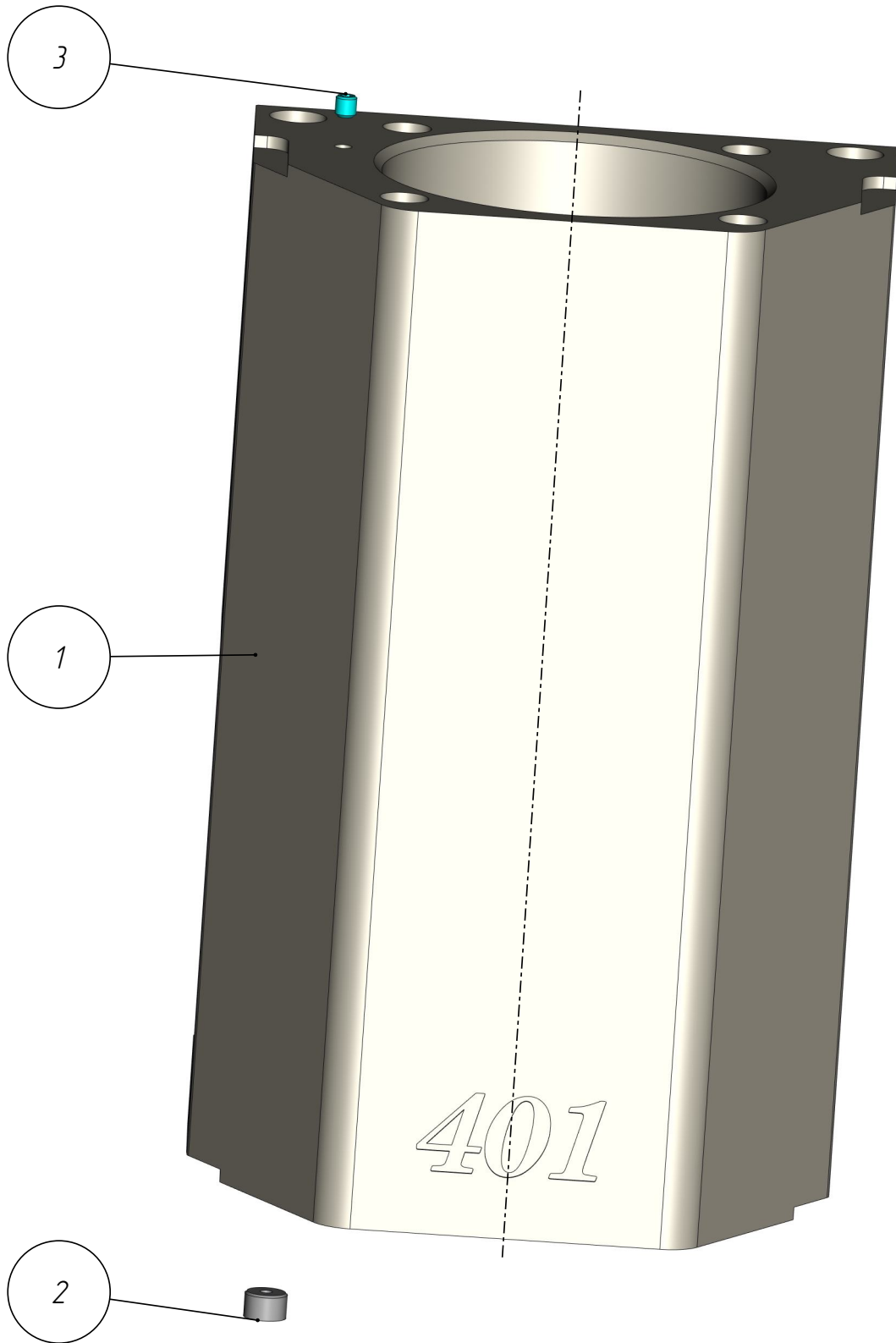


Plate
MPL-401-010-004-005



MPL-401-010-003

MPL-401-010-003

Cylinder assembly

Specification

<i>N° pos.</i>	<i>Code</i>	<i>Name</i>	<i>Qty</i>
----------------	-------------	-------------	------------

Parts:

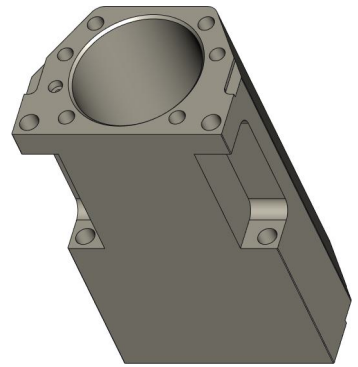
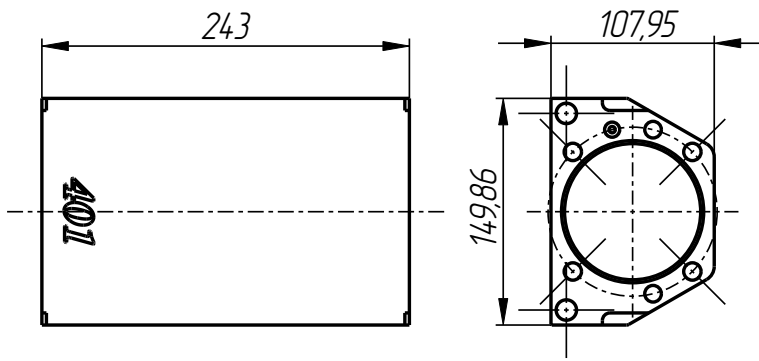
<i>1</i>	<i>MPL-401-010-003-001</i>	<i>Cylinder</i>	<i>1</i>
<i>2</i>	<i>MPL-401-010-003-002</i>	<i>Insert</i>	<i>1</i>

Standard parts:

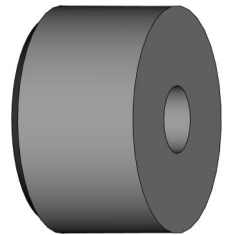
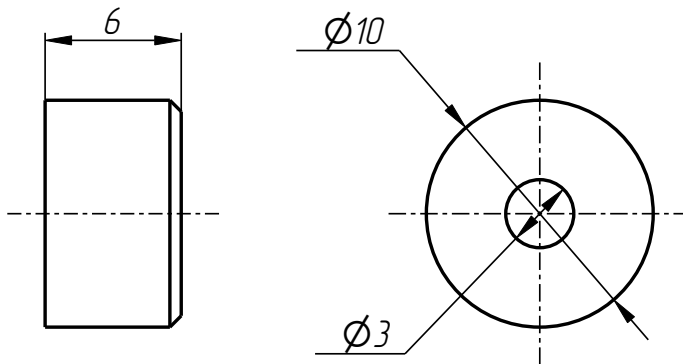
<i>3</i>	<i>Screw M5x5 GOST 11074-93</i>		<i>1</i>
----------	---------------------------------	--	----------

Cylinder assembly
MPL-401-010-003

401



Cylinder
MPL-401-010-003-001



Insert
MPL-401-010-003-002

MPL-401-010-003