

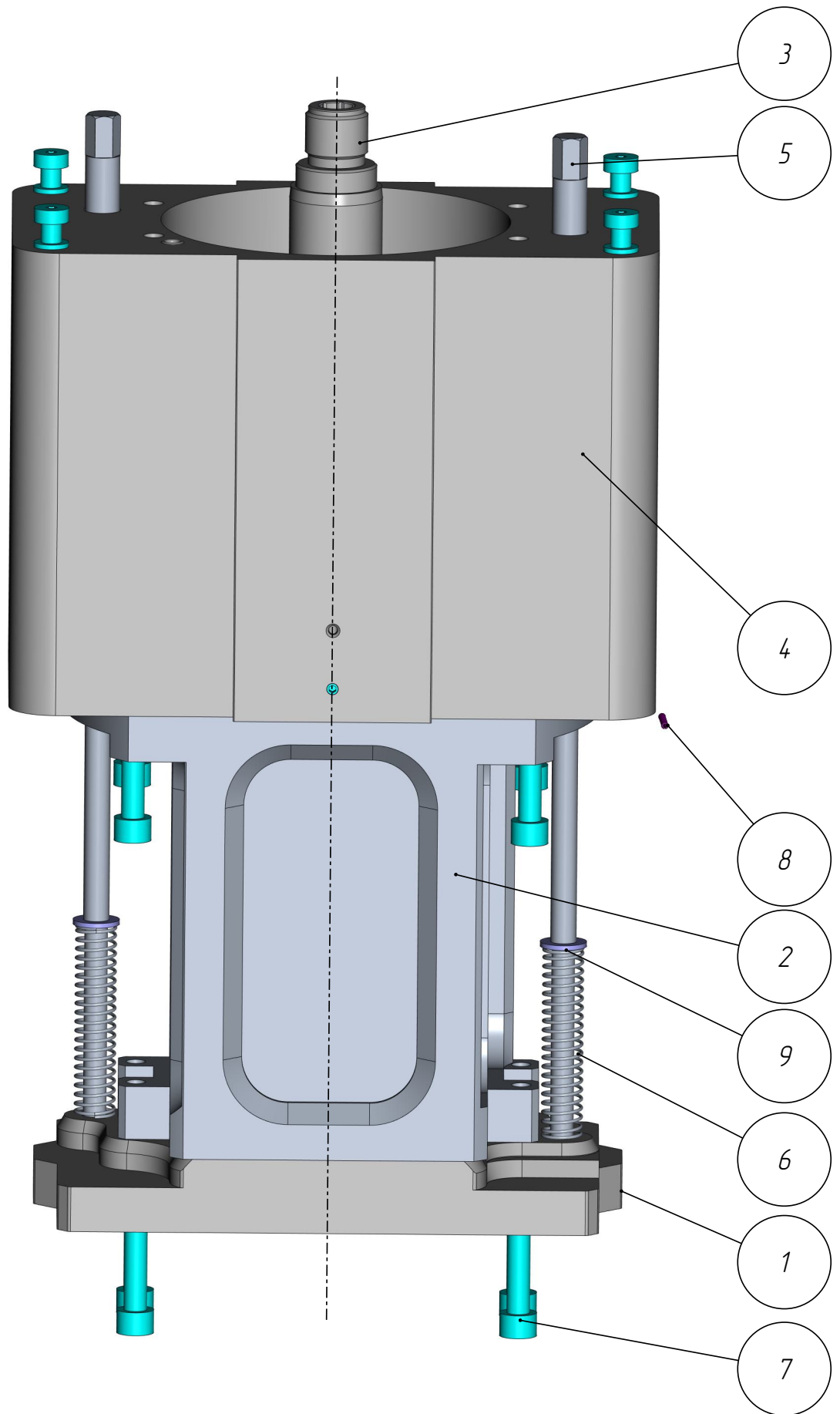
*401*

*MPL-401-008*

*Plunger mechanism  
(05000190-1107803)*

Plunger mechanism  
(05000190-1107803)  
MPL-401-008

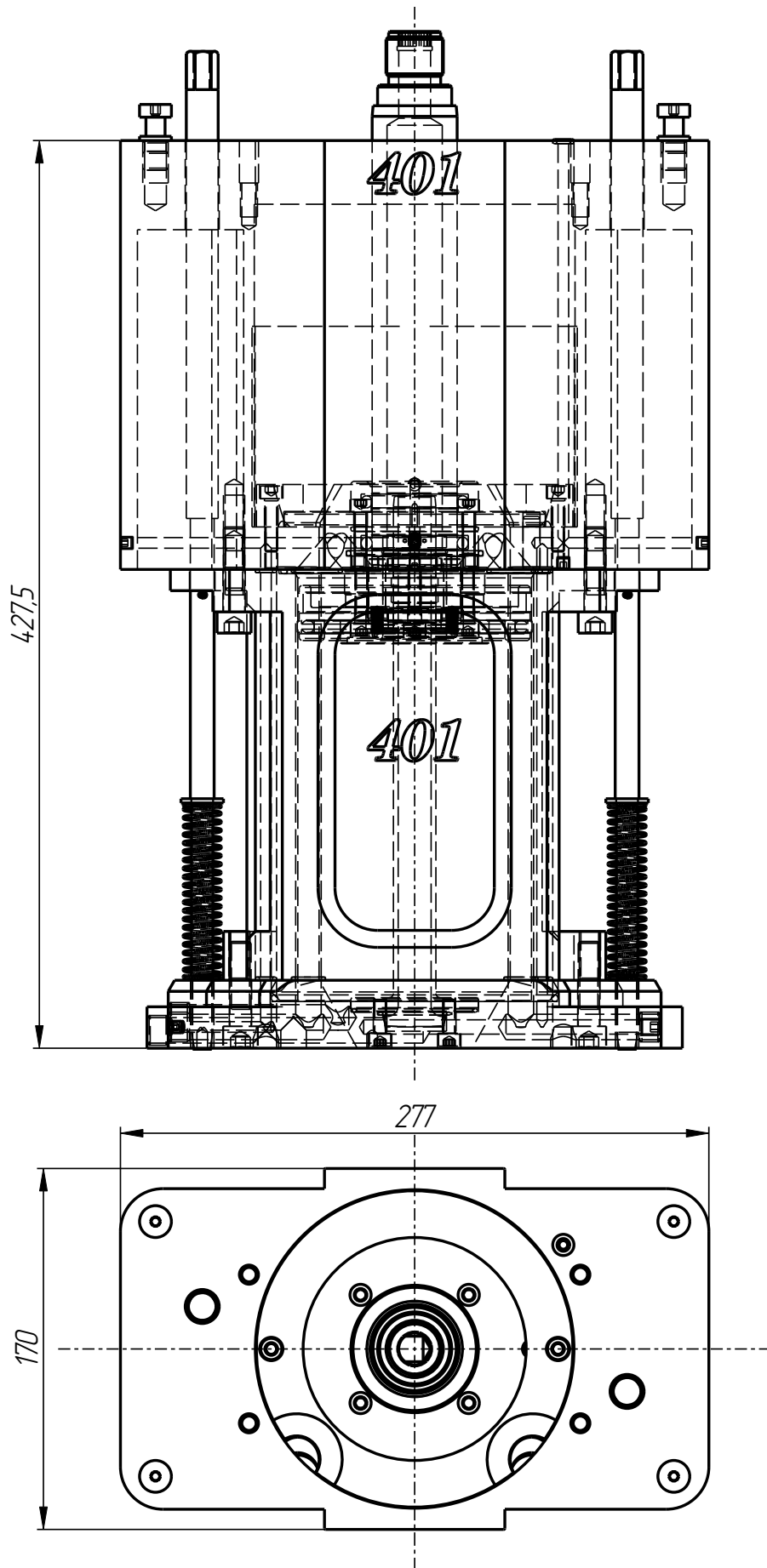
401



MPL-401-008

Plunger mechanism  
(05000190-1107803)  
MPL-401-008

401



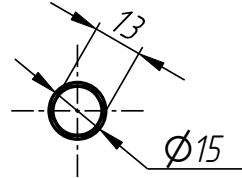
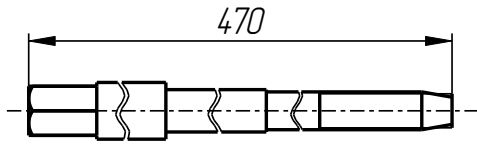
MPL-401-008

# MPL-401-008

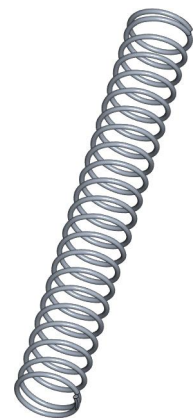
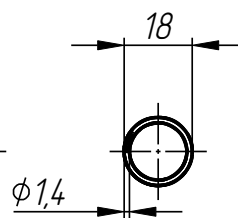
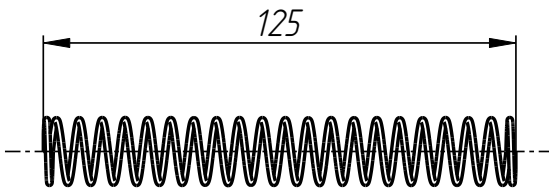
Plunger mechanism  
(05000190-1107803)

## Specification

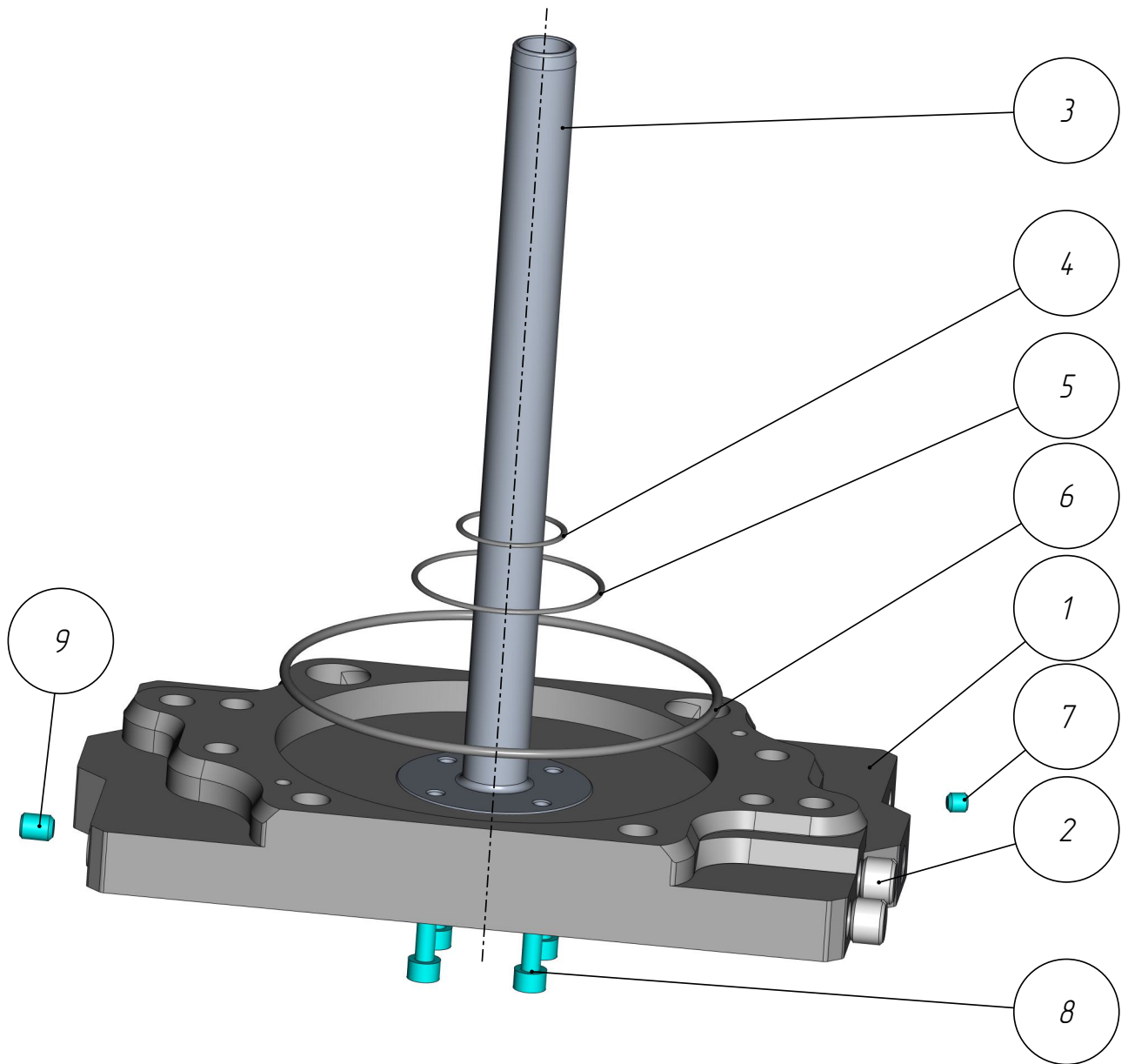
<i>Nº pos.</i>	<i>Code</i>	<i>Name</i>	<i>Qty</i>
<i>Сборочные единицы:</i>			
1	MPL-401-008-001	base assembly	1
2	MPL-401-008-002	Cylinder assembly	1
3	MPL-401-008-003	Stack assembly	1
4	MPL-401-008-004	Main body assembly	1
<i>Parts:</i>			
5	MPL-401-008-005	Screw	2
6	MPL-401-008-006	Spring	2
<i>Standard parts:</i>			
7	Screw M10x40 DIN 912		8
8	Spring pin $\phi$ 3x20 DIN 1481		2
9	Washer M10 DIN 125		2



Screw  
MPL-401-008-005



Spring  
MPL-401-008-006



MPL-401-008-001

# MPL-401-008-001

## base assembly

### Specification

<i>N° pos.</i>	<i>Code</i>	<i>Name</i>	<i>Qty</i>
----------------	-------------	-------------	------------

#### Parts:

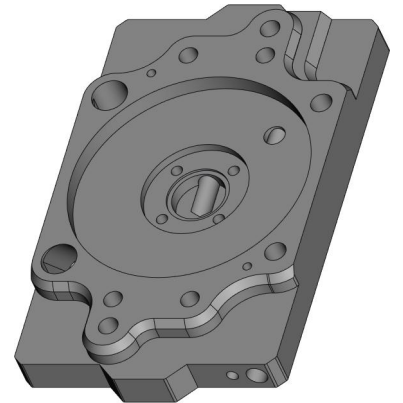
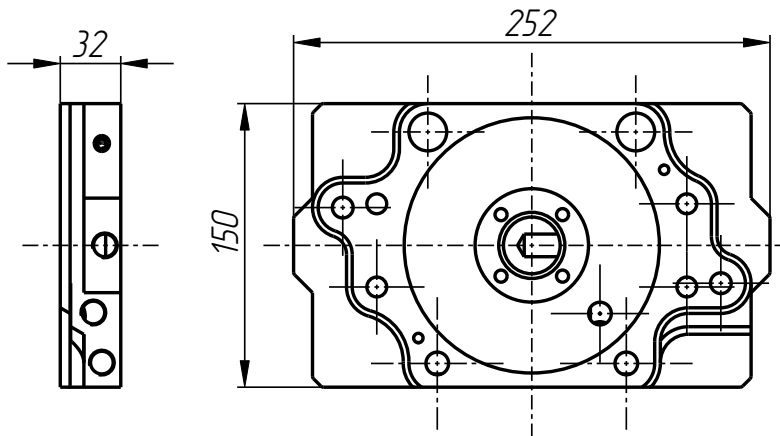
1	MPL-401-008-001-001	Installation plate	1
2	MPL-401-008-001-002	Plug	4
3	MPL-401-008-001-003	Stock	1

#### Standard parts:

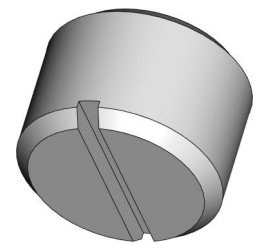
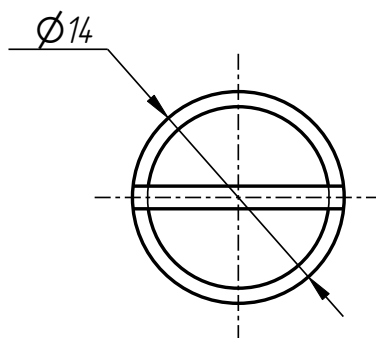
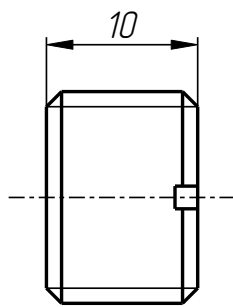
4	O-302		1
5	O-552		1
6	O-128.83.1		1
7	Screw GOST 11074-93		1
8	Screw M6x16 DIN 912		4
9	Screw M8x10 GOST 11074-93		1

base assembly  
MPL-401-008-001

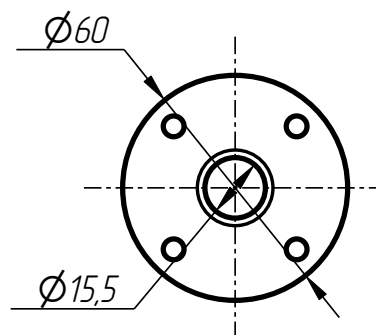
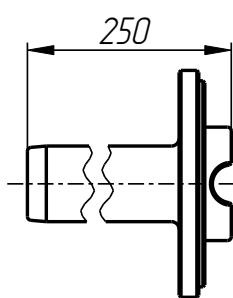
401



Installation plate  
MPL-401-008-001-001

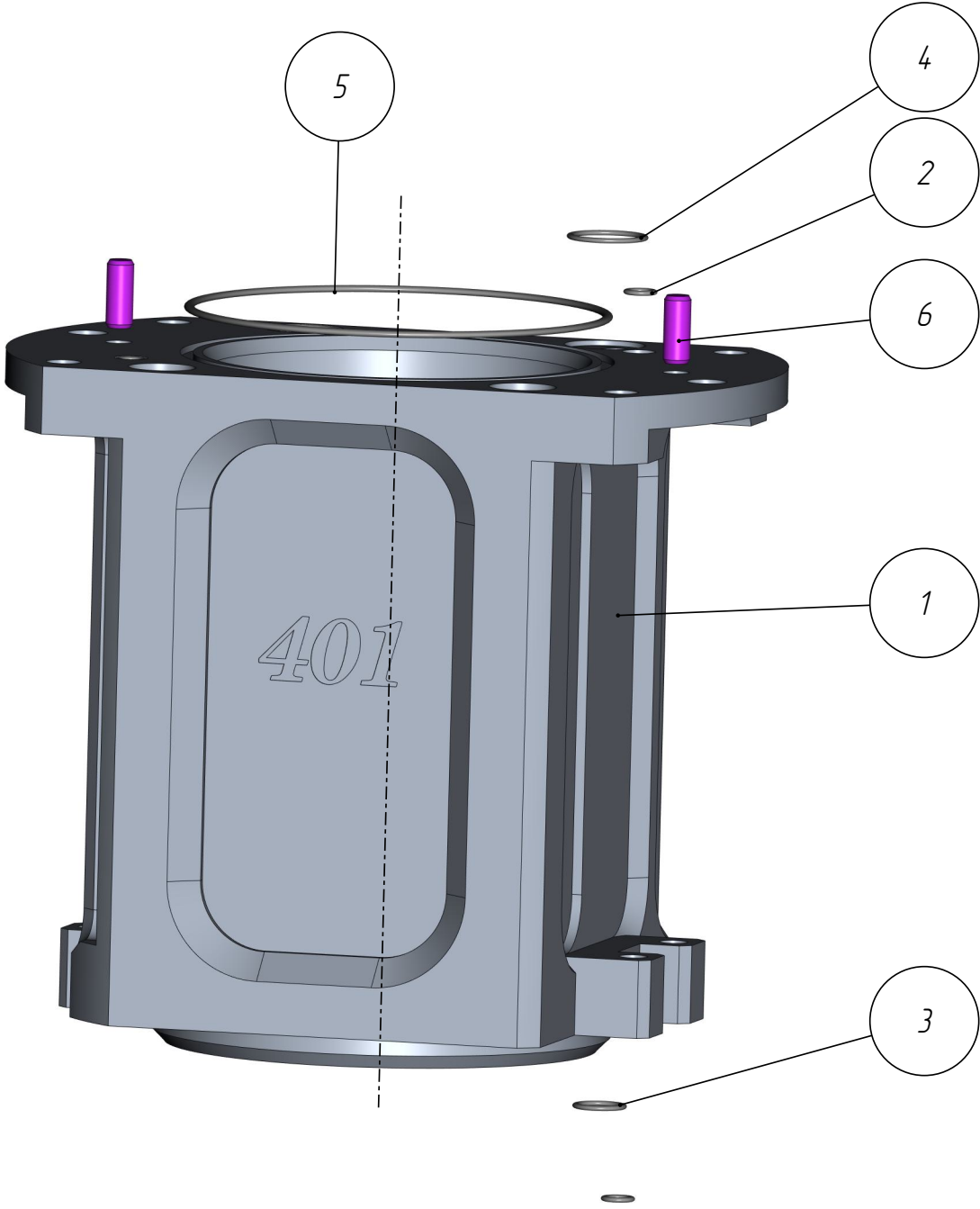


Plug  
MPL-401-008-001-002



Stock  
MPL-401-008-001-003

MPL-401-008-001



MPL-401-008-002

# MPL-401-008-002

## Cylinder assembly

### Specification

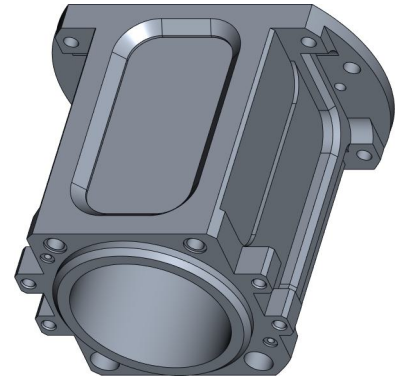
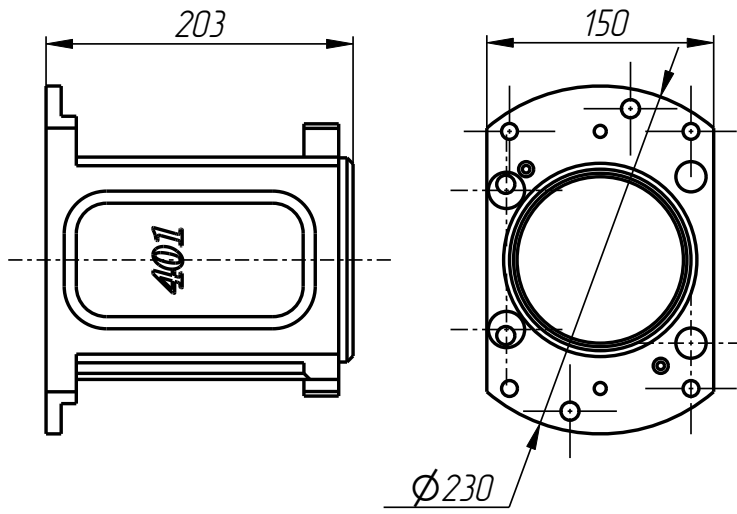
<i>N° pos.</i>	<i>Code</i>	<i>Name</i>	<i>Qty</i>
----------------	-------------	-------------	------------

#### Parts:

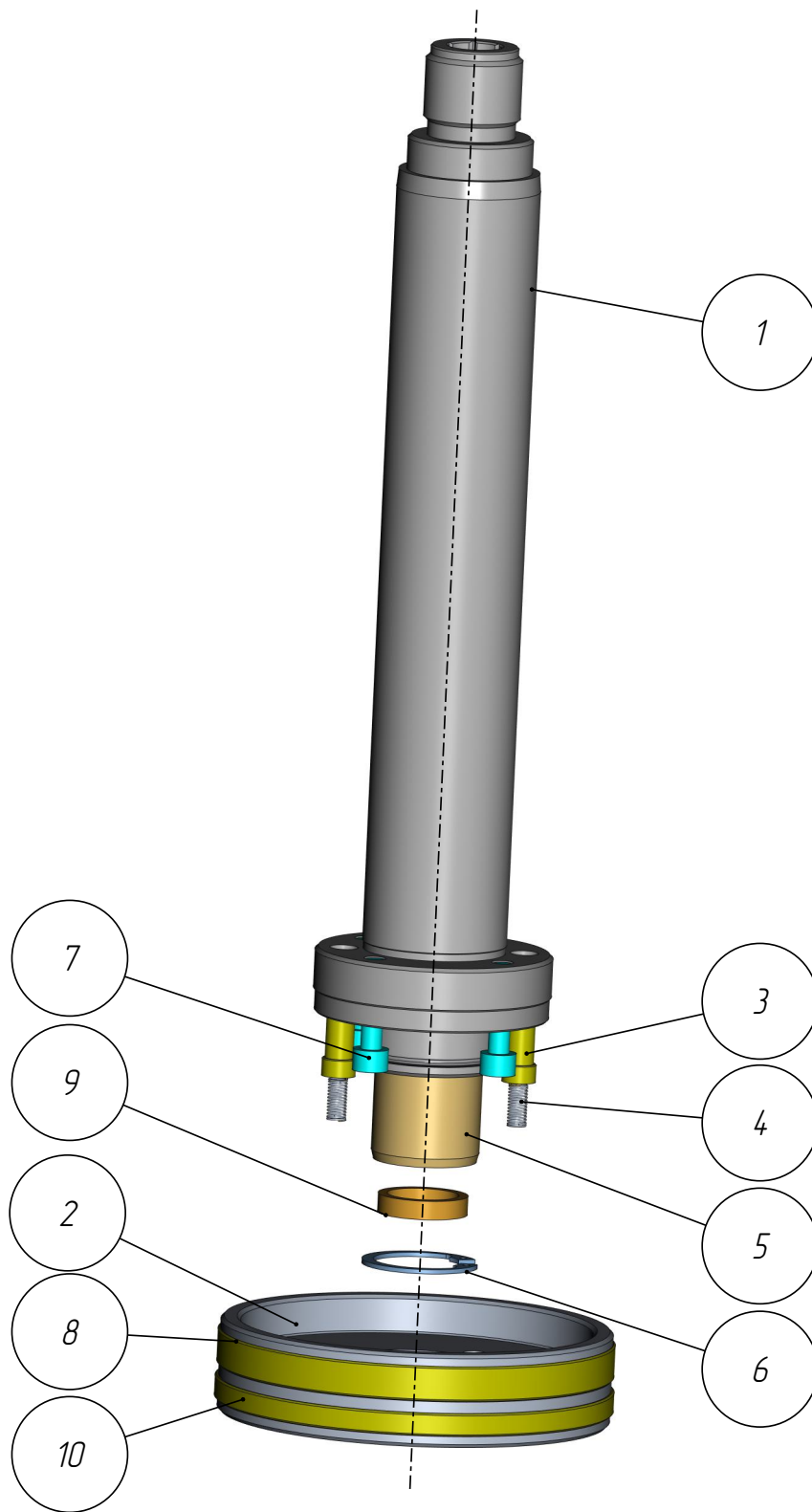
1	MPL-401-008-002-001	Cylinder	1
---	---------------------	----------	---

#### Standard parts:

2	0-62		4
3	0-122		2
4	0-202		2
5	0-1203		1
6	Pin 8Гx20 GOST 3128-70		2



Cylinder  
MPL-401-008-002-001



MPL-401-008-003

# MPL-401-008-003

## Stock assembly

### Specification

<i>Nº pos.</i>	<i>Code</i>	<i>Name</i>	<i>Qty</i>
----------------	-------------	-------------	------------

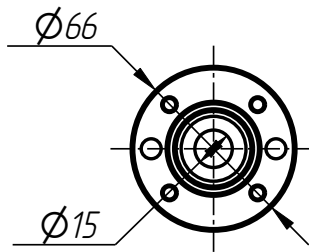
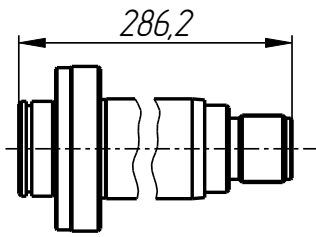
#### Сборочные единицы:

#### Parts:

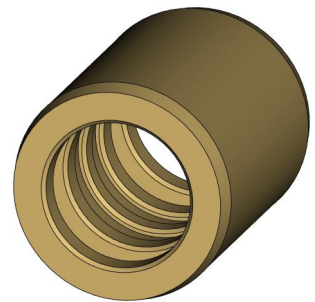
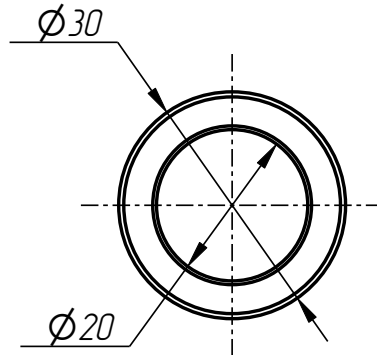
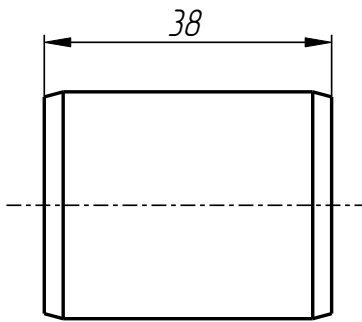
1	MPL-401-003-003-003	Bushing	1
2	MPL-401-008-003-001	Stack piston	1
3	MPL-401-008-003-002	Piston	1
4	MPL-401-008-003-004	Plug	2
5	MPL-401-008-003-005	Spring	2

#### Standard parts:

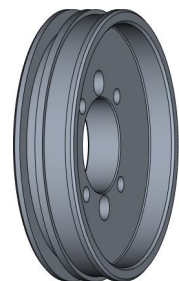
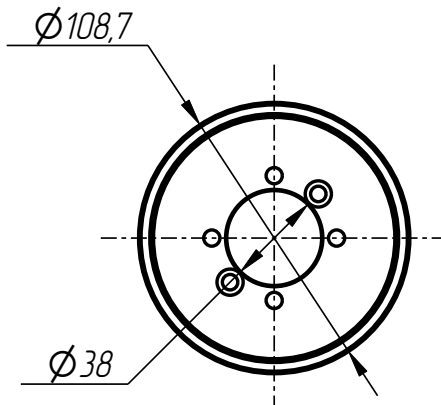
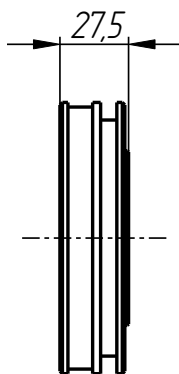
6	Locking Ring $\phi$ 30 GOST 13943-86		1
7	Screw M6x25 DIN 912		4
8	Sealing 1051109.7		1
9	Sealing 1.20255.2		2
10	Sealing 11094.56.3		1



Stock piston  
MPL-401-008-003-001

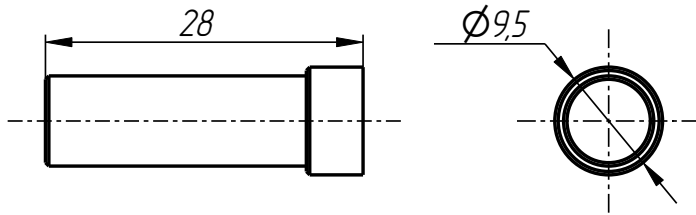


Bushing  
MPL-401-003-003-003

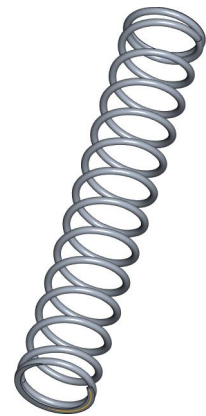
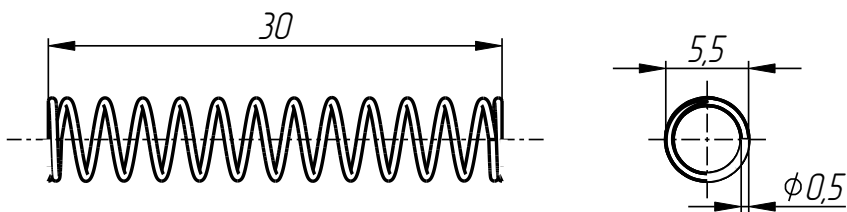


Piston  
MPL-401-008-003-002

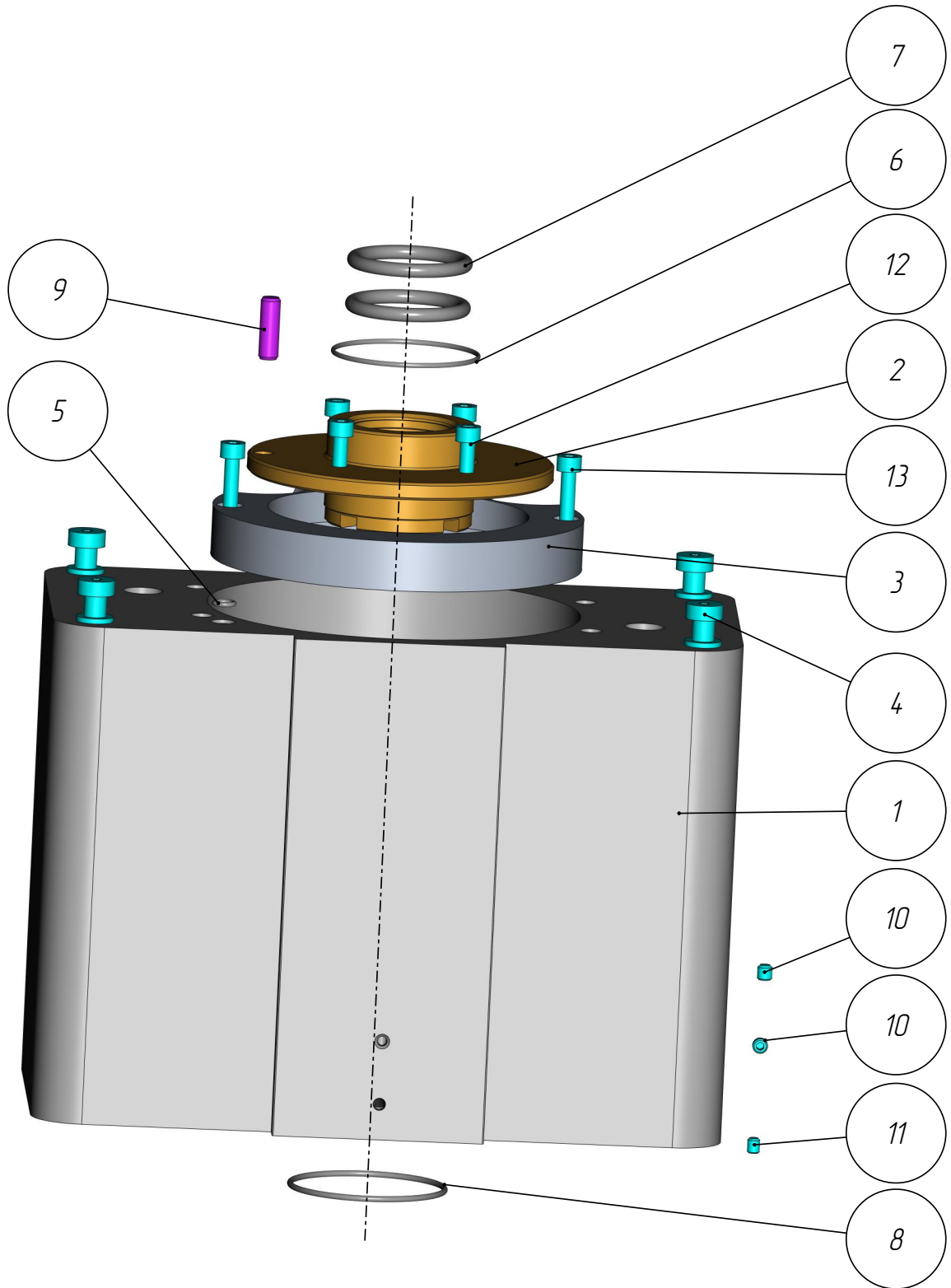
MPL-401-008-003



Plug  
MPL-401-008-003-004



Spring  
MPL-401-008-003-005



MPL-401-008-004

# MPL-401-008-004

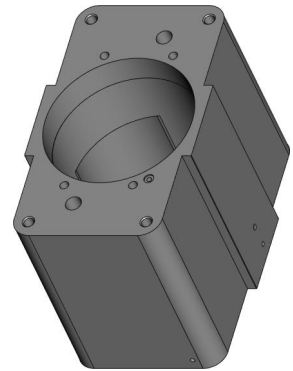
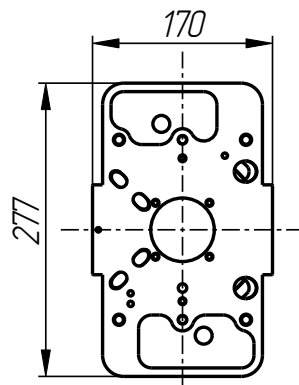
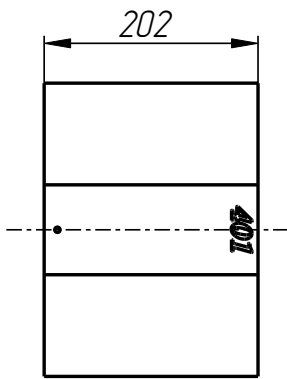
## Main body assembly

### Specification

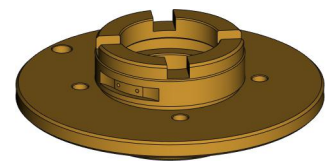
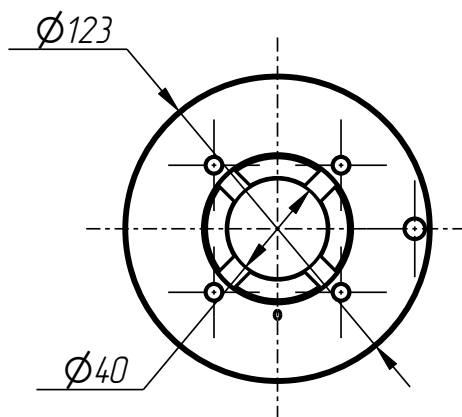
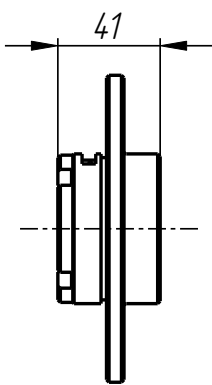
<i>Nº pos.</i>	<i>Code</i>	<i>Name</i>	<i>Qty</i>
<i>Parts:</i>			
1	MPL-401-008-004-001	Main body	1
2	MPL-401-008-004-002	Bushing	1
3	MPL-401-008-004-003	Ring	1
4	MPL-401-008-004-004	Screw	4

### Standard parts:

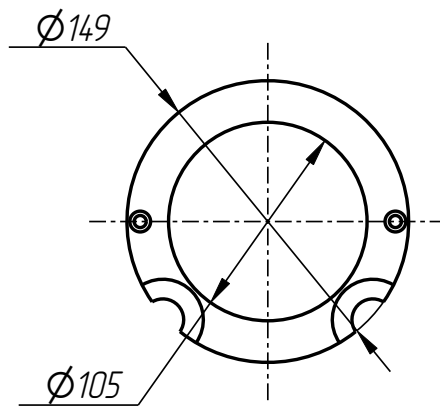
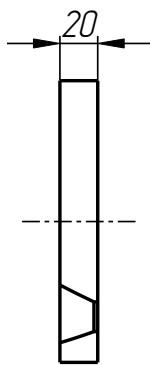
5	0-62		1
6	0-552		1
7	0-3965.7		2
8	0-59624		1
9	Pin GOST 3128-70		1
10	Screw GOST 11074-93		5
11	Screw M5x6 GOST 11074-93		1
12	Screw M6x20 DIN 912		4
13	Screw M6x25 DIN 912		2



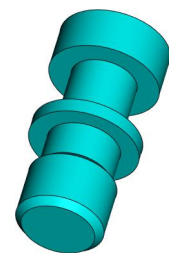
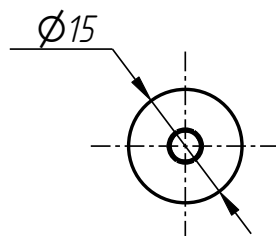
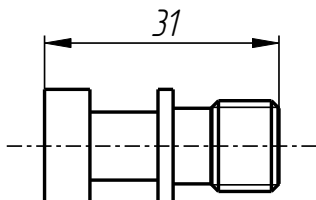
Main body  
MPL-401-008-004-001



Bushing  
MPL-401-008-004-002



Ring  
MPL-401-008-004-003



Screw  
MPL-401-008-004-004