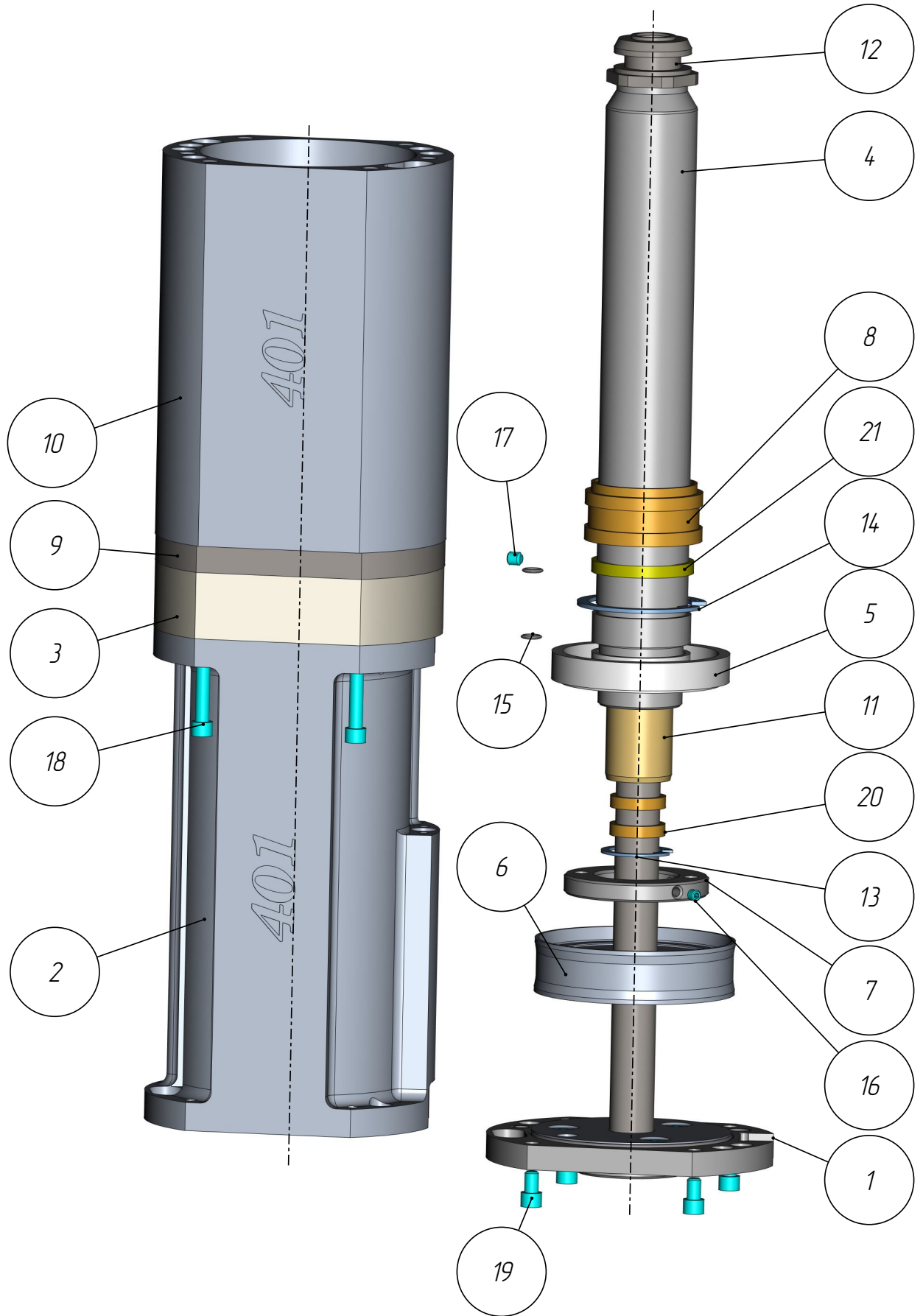


401

MPL-401-007

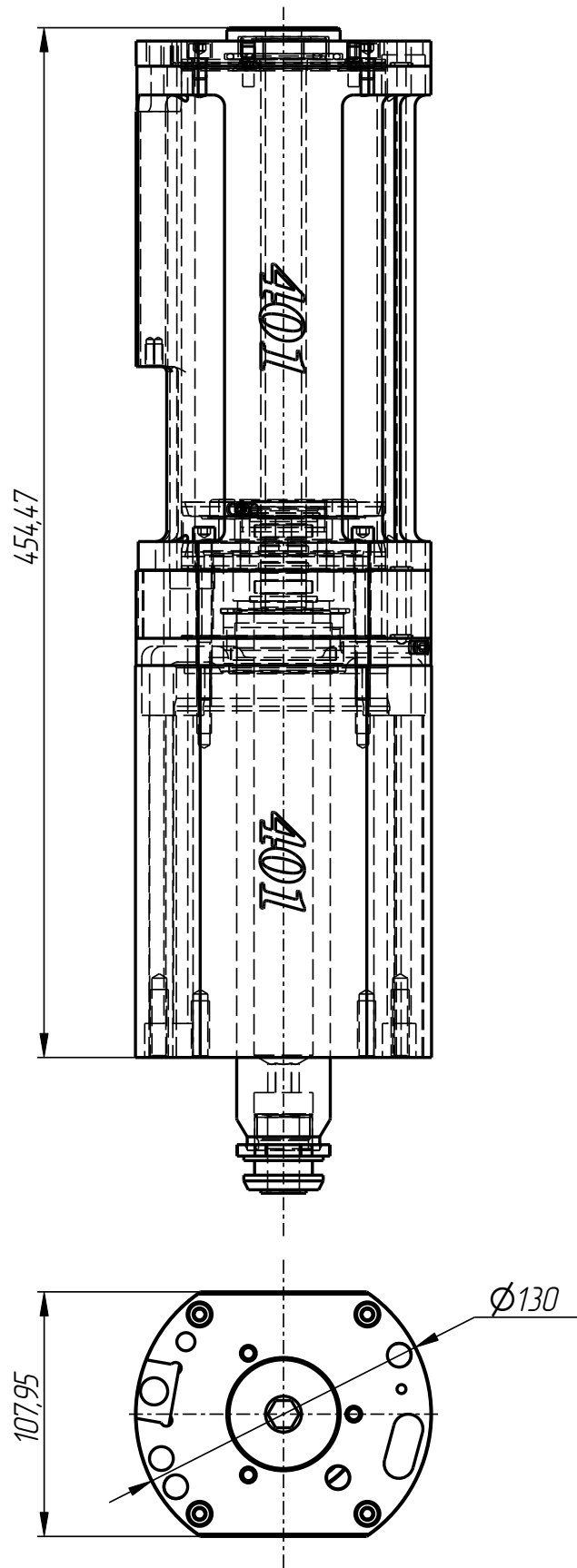
*Plunger mechanism
(10-12-575_F-VS)*



MPL-401-007

Plunger mechanism
(10-12-575_F-VS)
MPL-401-007

401



MPL-401-007

MPL-401-007

Plunger mechanism (10-12-575_F-VS)

Specification

<i>Nº pos.</i>	<i>Code</i>	<i>Name</i>	<i>Qty</i>
----------------	-------------	-------------	------------

Сборочные единицы:

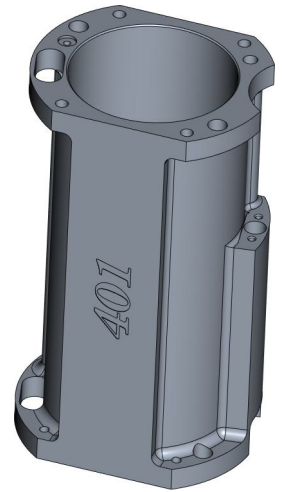
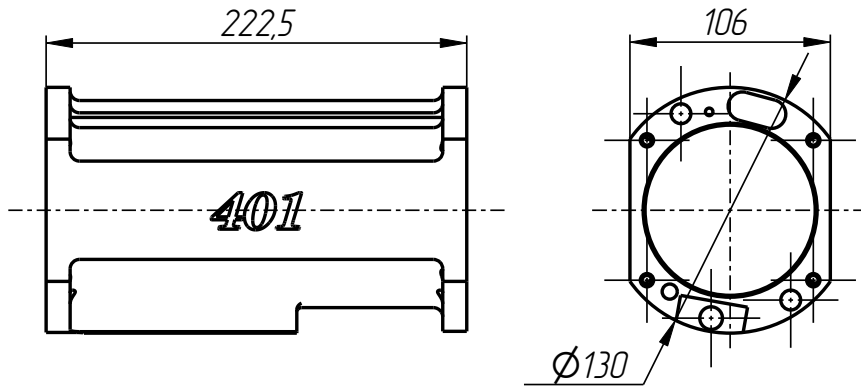
1	MPL-401-001-005	Cap assembly	1
---	-----------------	--------------	---

Parts:

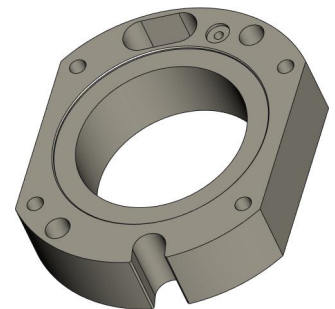
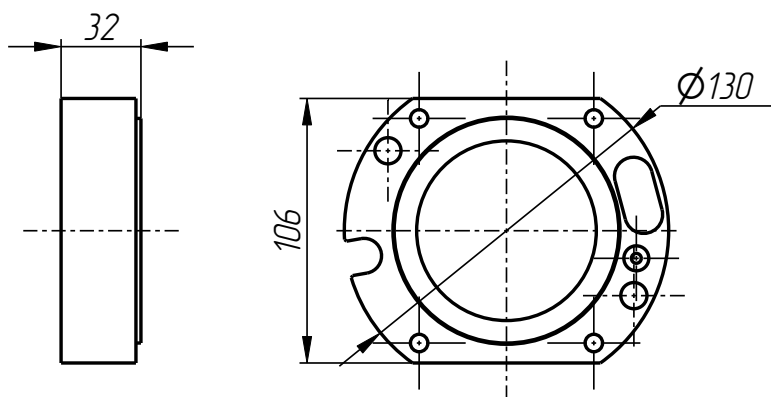
2	MPL-401-001-001	Cylinder	1
3	MPL-401-001-002	Flange	1
4	MPL-401-001-006	Stack	1
5	MPL-401-001-008	Space plate	1
6	MPL-401-001-010	Piston	1
7	MPL-401-001-011	Ring	1
8	MPL-401-003-002	Bushing	1
9	MPL-401-003-003-003	Bushing	1
10	MPL-401-007-001	Flange	1
11	MPL-401-007-002	Main body	1
12	PPL-401-010-011	Adapter	1

Standard parts:

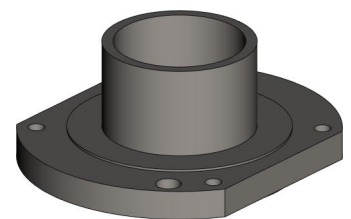
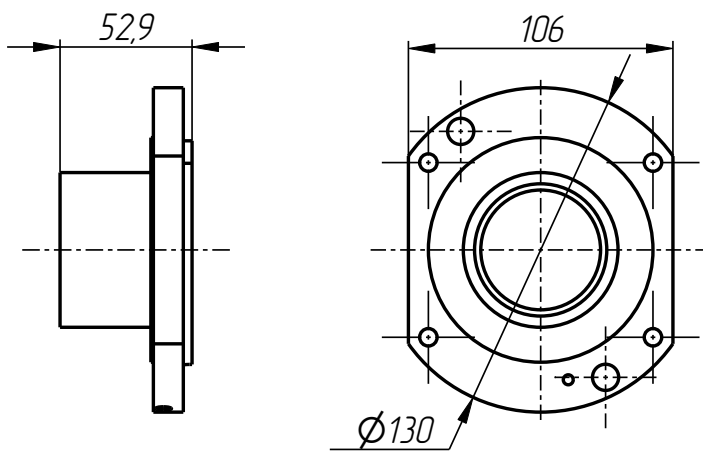
13	Locking Ring ϕ 30 GOST 13943-86	1
14	Locking Ring ϕ 54 GOST 13943-86	1
15	Ring 5.79.51.97	2
16	Screw GOST 8878-93	2
17	Screw GOST 11074-93	1
18	Screw UNC1/4"-20x2 3/4" DIN 912	4
19	Screw UNC1/4"-20x3/8" DIN 912	4
20	Sealing 1.20255.2	2
21	Sealing 1.41465.4	1



Cylinder
MPL-401-001-001

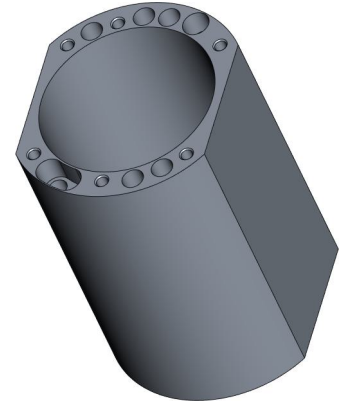
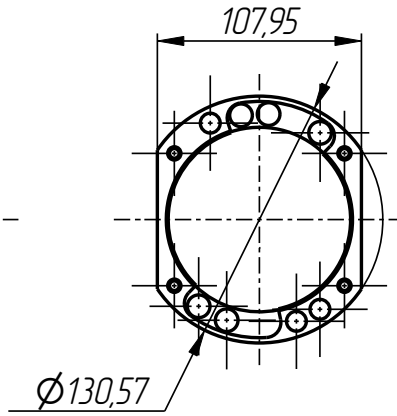
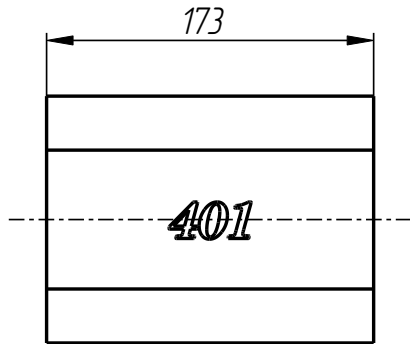


Flange
MPL-401-001-002

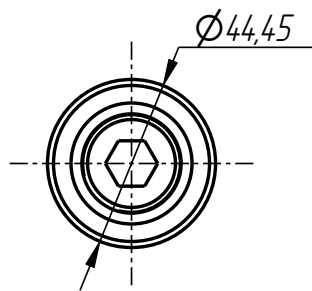
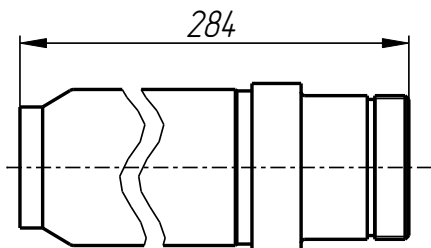


Flange
MPL-401-007-001

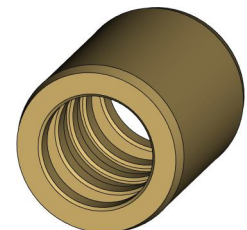
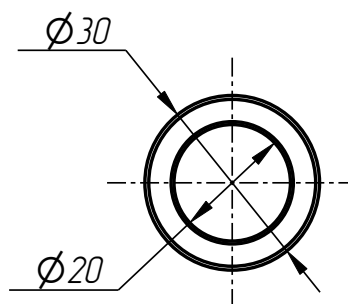
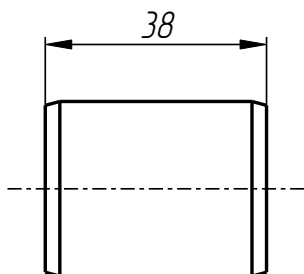
MPL-401-007



Main body
MPL-401-007-002

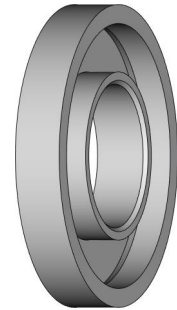
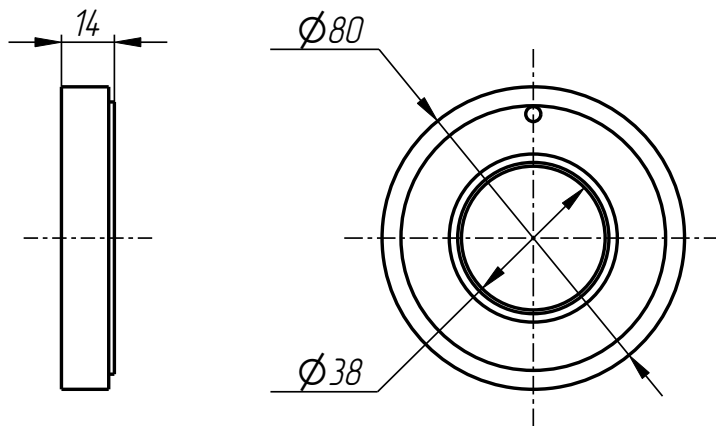


Stack
MPL-401-001-006

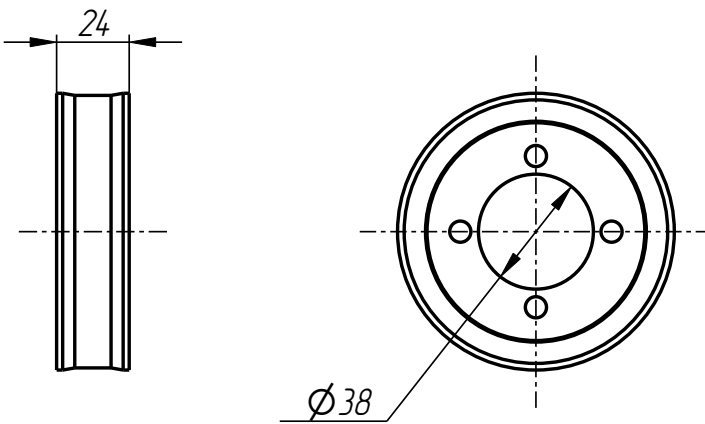


Bushing
MPL-401-003-003-003

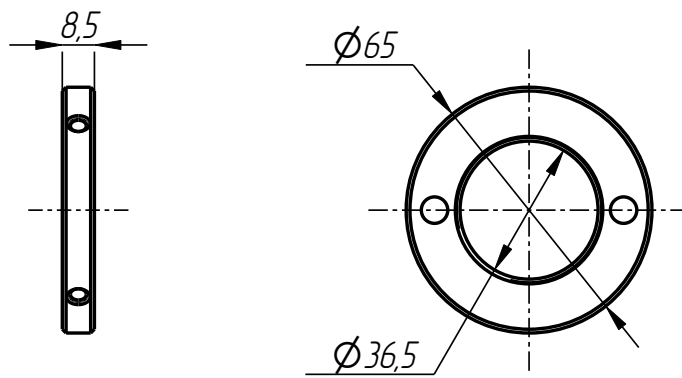
MPL-401-007



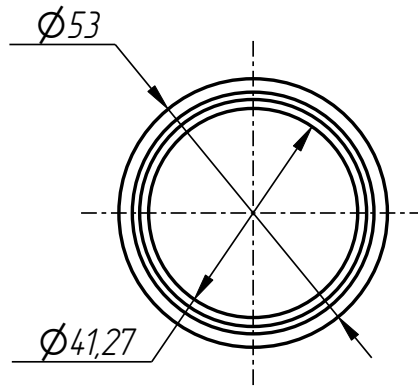
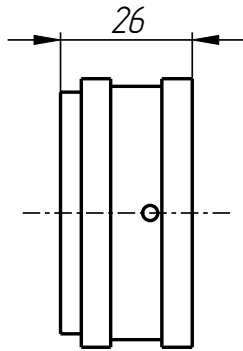
Space plate
MPL-401-001-008



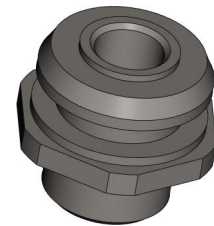
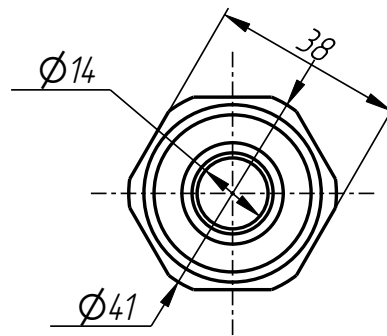
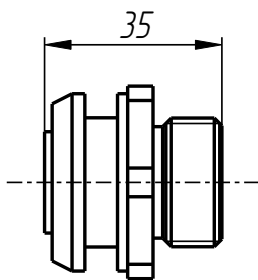
Piston
MPL-401-001-010



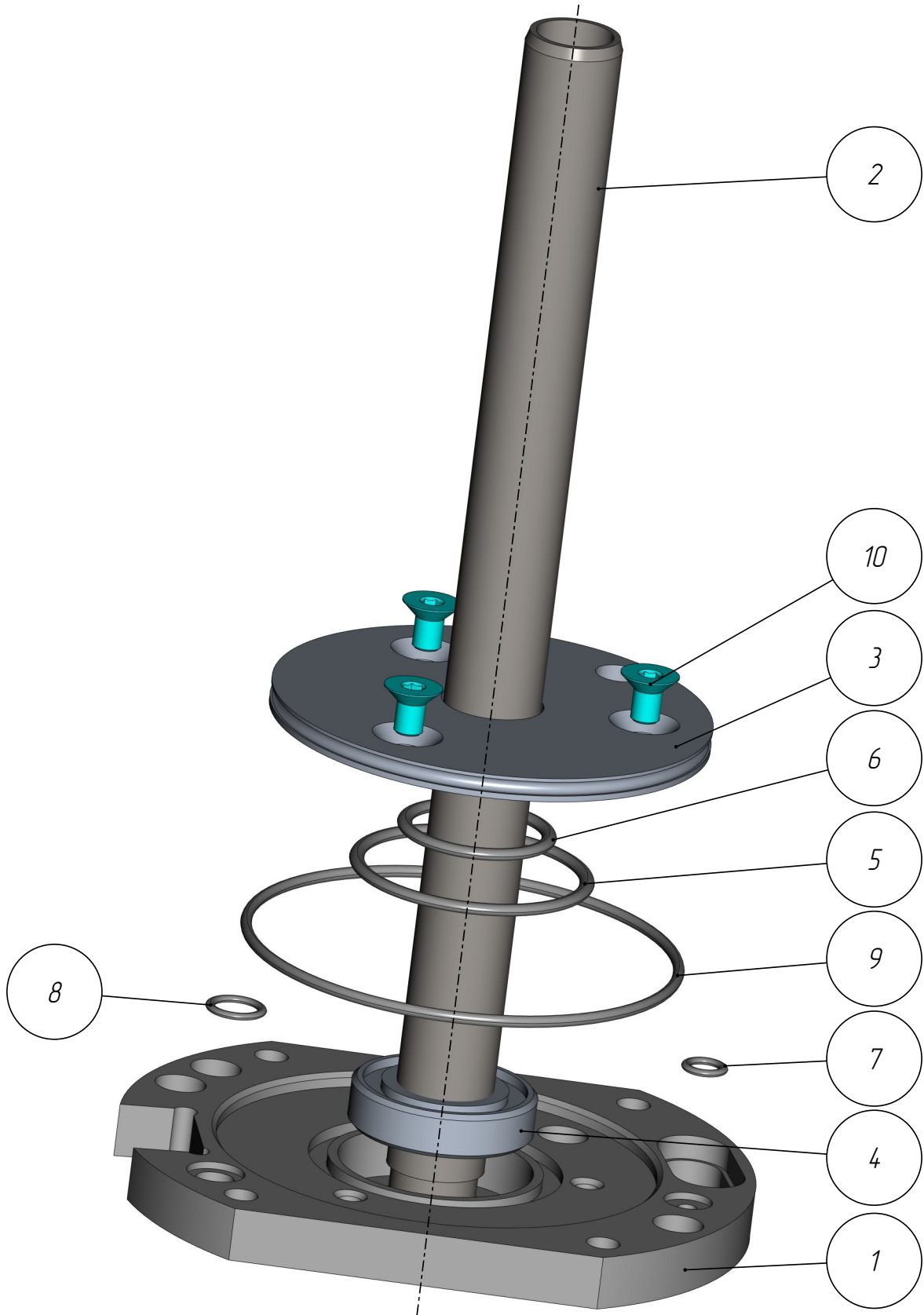
Ring
MPL-401-001-011



Bushing
MPL-401-003-002



Adapter
PPL-401-010-011



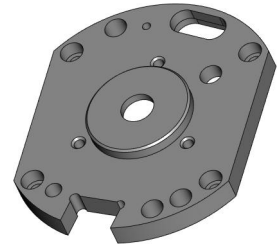
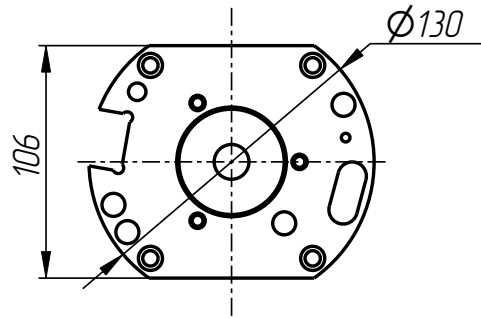
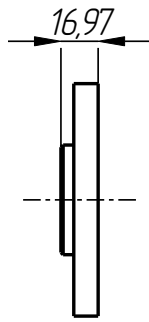
MPL-401-001-005

MPL-401-001-005

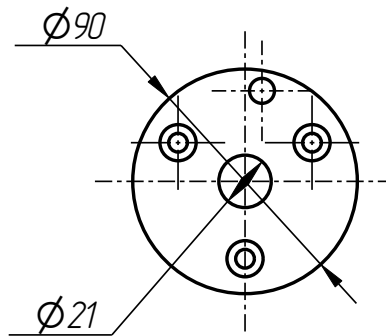
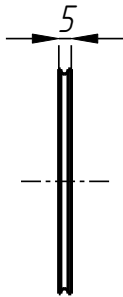
Cap assembly

Specification

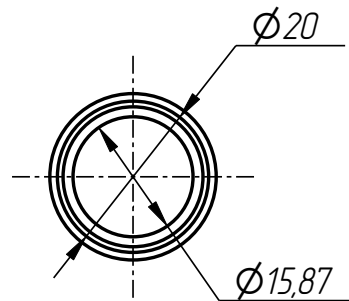
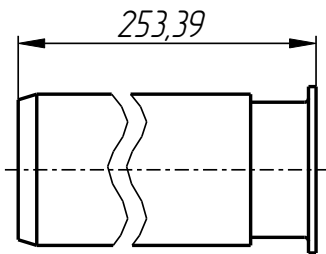
<i>Nº pos.</i>	<i>Code</i>	<i>Name</i>	<i>Qty</i>
<i>Parts:</i>			
1	MPL-401-001-005-001	Cap	1
2	MPL-401-001-005-002	Stock	1
3	MPL-401-001-005-003	Washer	1
4	MPL-401-001-005-004	Ring	1
<i>Standard parts:</i>			
5	Ring 44.5030		1
6	Ring 26.532.537		1
7	Ring 5.79.51.90		1
8	Ring 8.712.51.97		1
9	Ring 83.588.52.57		1
10	Screw M6x10 DIN 7991		3



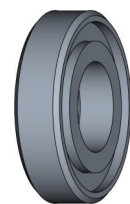
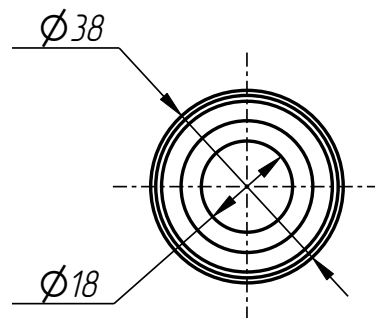
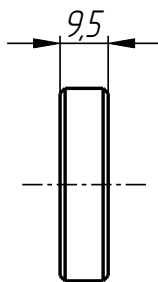
Cap
MPL-401-001-005-001



Washer
MPL-401-001-005-003



Stock
MPL-401-001-005-002



Ring
MPL-401-001-005-004

MPL-401-001-005