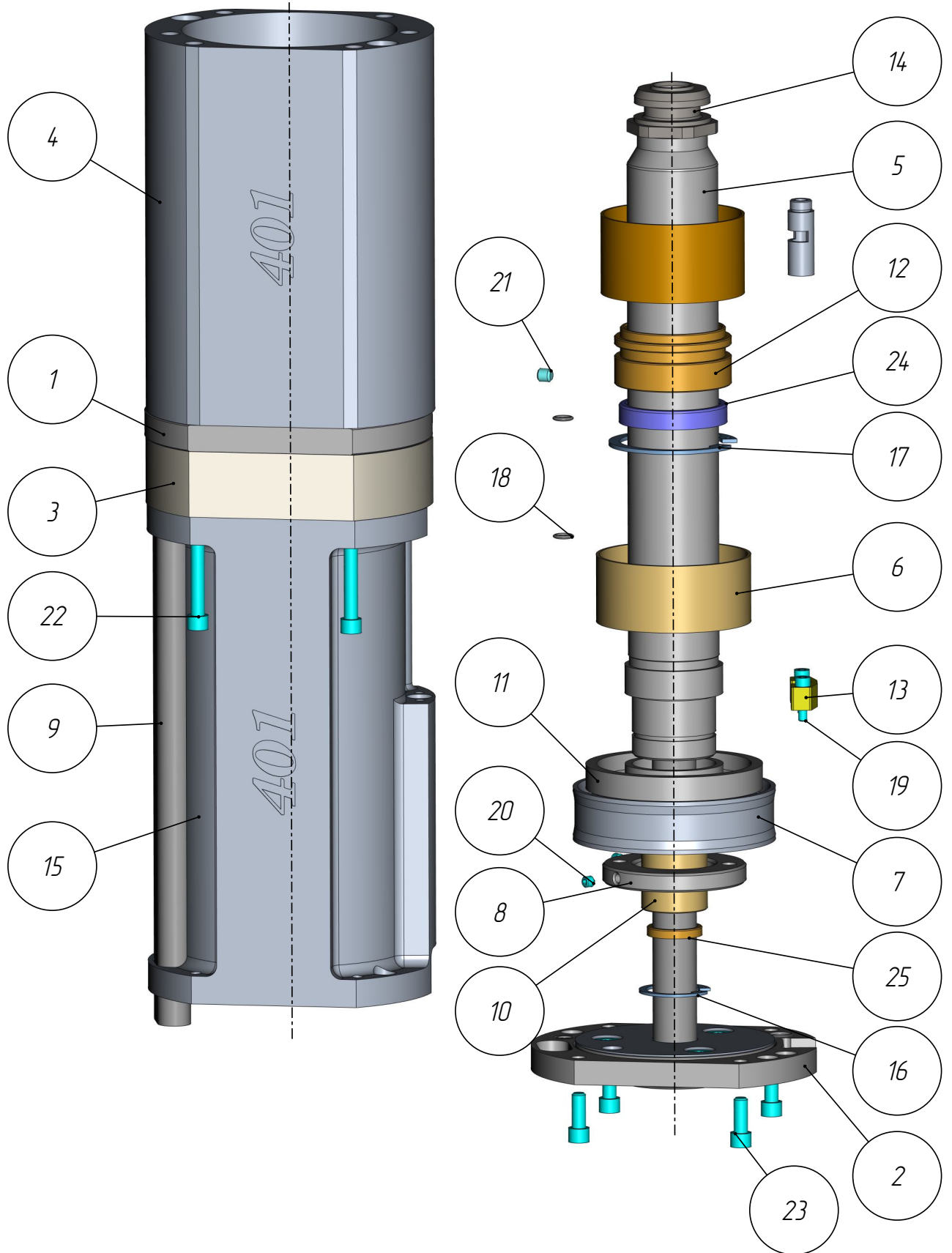


*401*

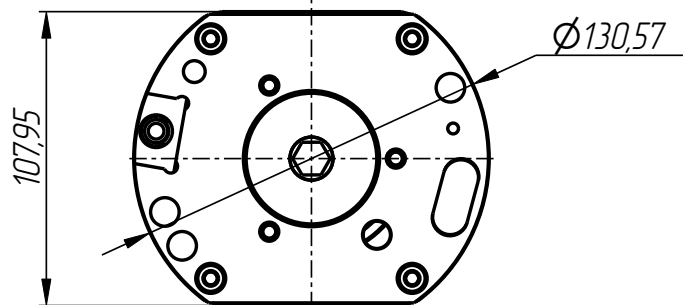
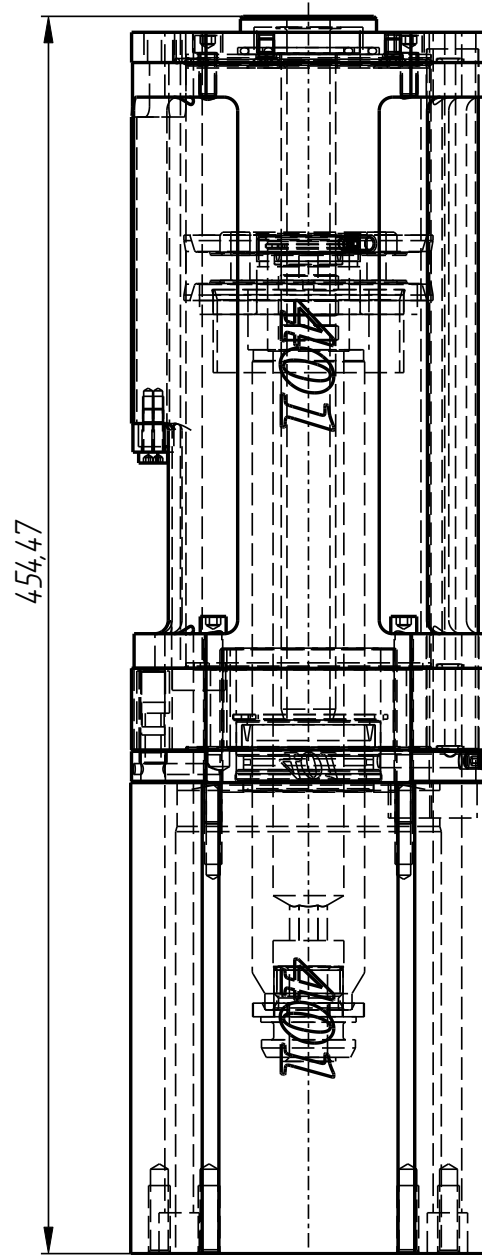
*MPL-401-006*

*Plunger mechanism  
(10-12-575\_F-M3)*



Plunger mechanism  
(10-12-575\_F-M3)  
MPL-401-006

401



MPL-401-006

# MPL-401-006

## Plunger mechanism (10-12-575\_F-M3)

### Specification

Nº pos.	Code	Name	Qty
---------	------	------	-----

#### Сборочные единицы:

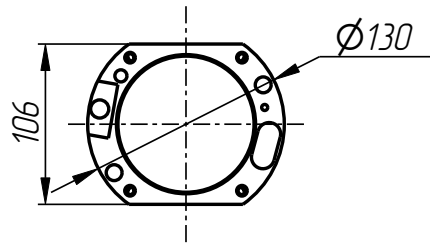
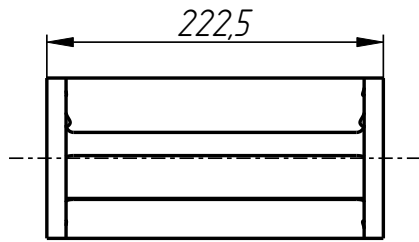
1	MPL-401-005-001	Inductor coil	1
2	MPL-401-005-002	Cap assembly	1

#### Parts:

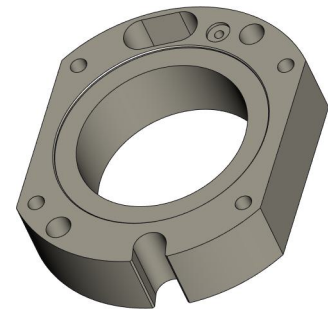
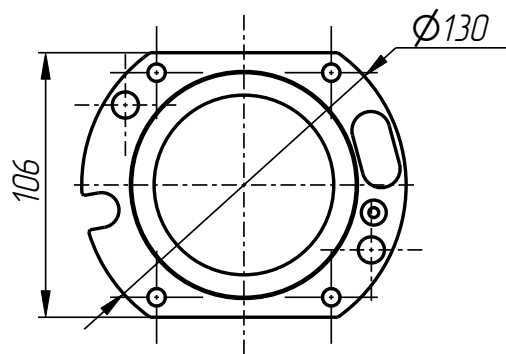
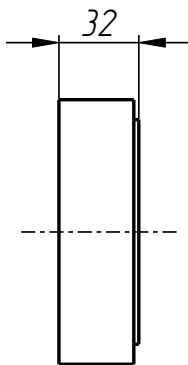
3	MPL-401-001-002	Flange	1
4	MPL-401-001-004	Cylinder	1
5	MPL-401-001-006	Stock	1
6	MPL-401-001-009	Bushing	1
7	MPL-401-001-010	Piston	1
8	MPL-401-001-011	Ring	1
9	MPL-401-001-013	Tube	1
10	MPL-401-003-003-003	Bushing	1
11	MPL-401-004-001	Space plate	1
12	MPL-401-004-002	Bushing	1
13	MPL-401-006-001	Mounting bracket	1
14	PPL-401-006-002	Adapter	1
15	PPL-401-006-003	Cylinder	1

#### Standard parts:

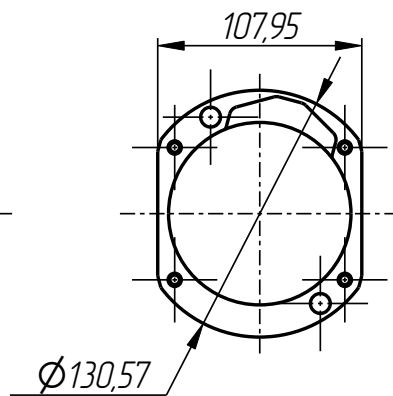
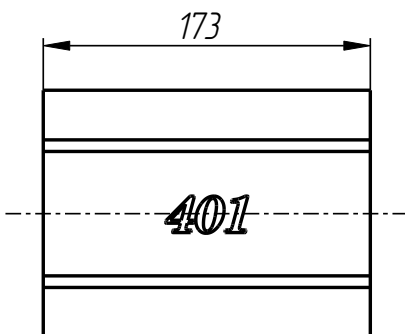
16	Locking Ring $\phi 30$ GOST 13943-86	1
17	Locking Ring $\phi 54$ GOST 13943-86	1
18	Ring 5.79.51.97	2
19	Screw M4x16 DIN 912	2
20	Screw M5x6 GOST 8878-93	2
21	Screw M6x6 GOST 11074-93	1
22	Screw UNC1/4"-20x2 3/4" DIN 912	4
23	Screw UNC1/4"-20x5/8" DIN 912	4
24	Sealing 4.1.274.98	1
25	Sealing 20254	1



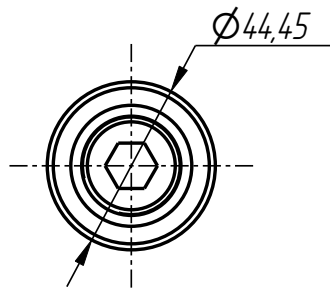
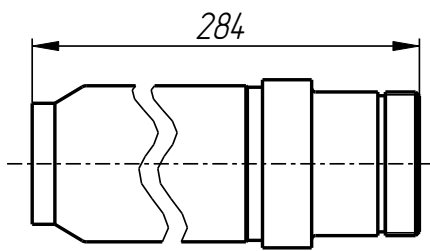
Цилиндр  
PPL-401-006-003



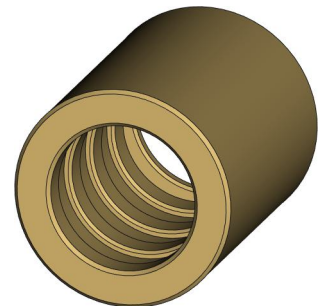
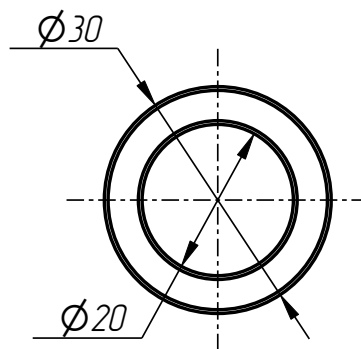
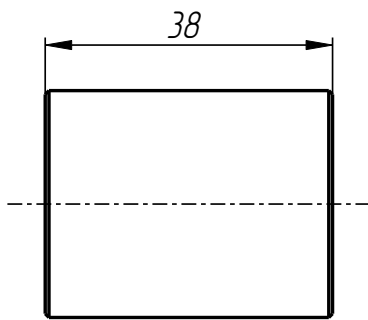
Flange  
MPL-401-001-002



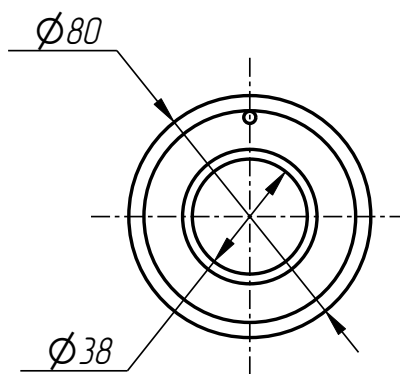
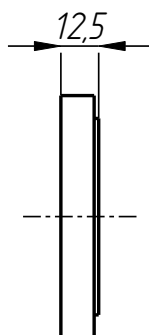
Cylinder  
MPL-401-001-004



Stock  
MPL-401-001-006

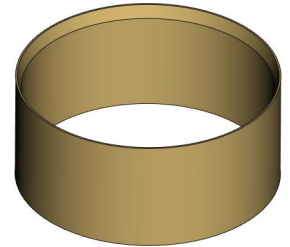
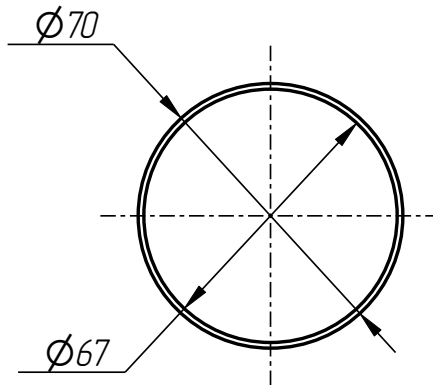
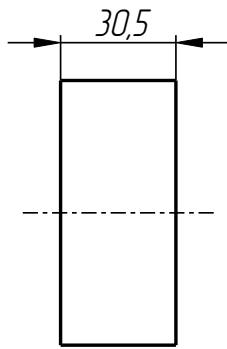


Bushing  
MPL-401-003-003-003

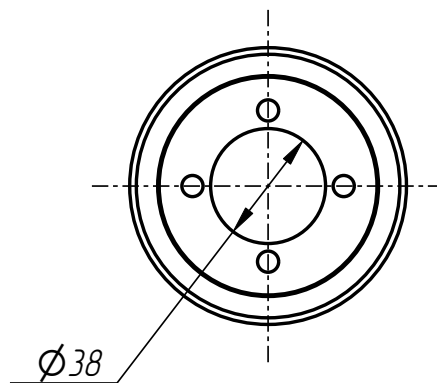
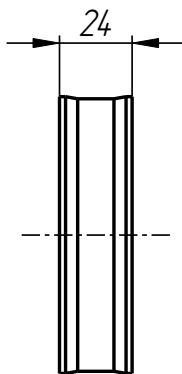


Space plate  
MPL-401-004-001

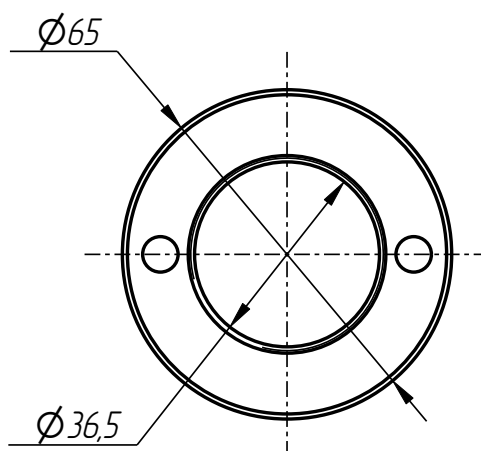
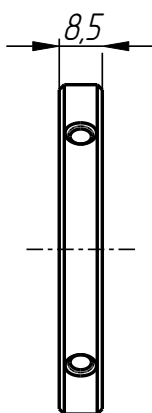
MPL-401-006



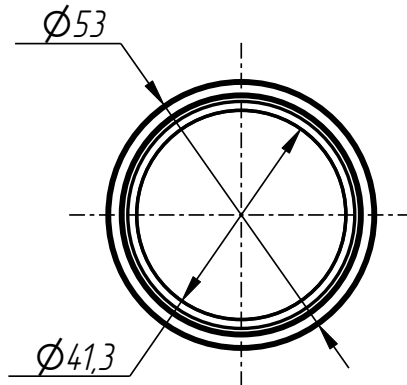
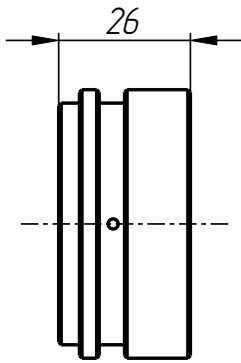
Bushing  
MPL-401-001-009



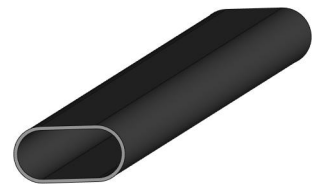
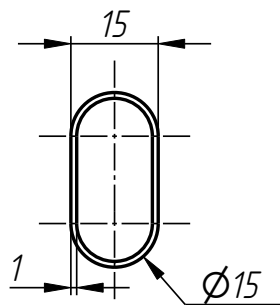
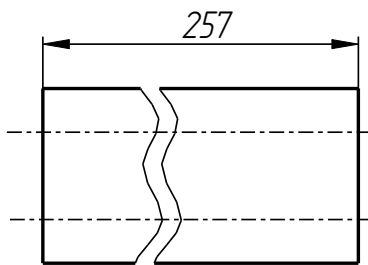
Piston  
MPL-401-001-010



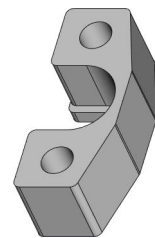
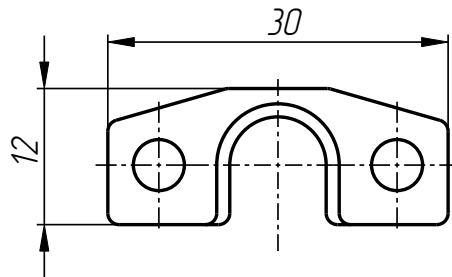
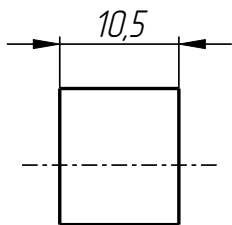
Ring  
MPL-401-001-011



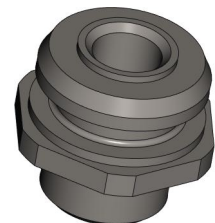
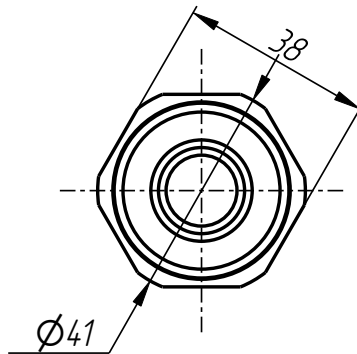
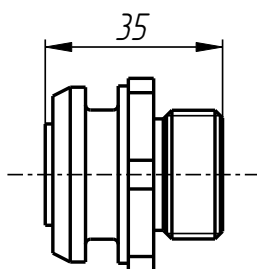
Bushing  
MPL-401-004-002



Tube  
MPL-401-001-013



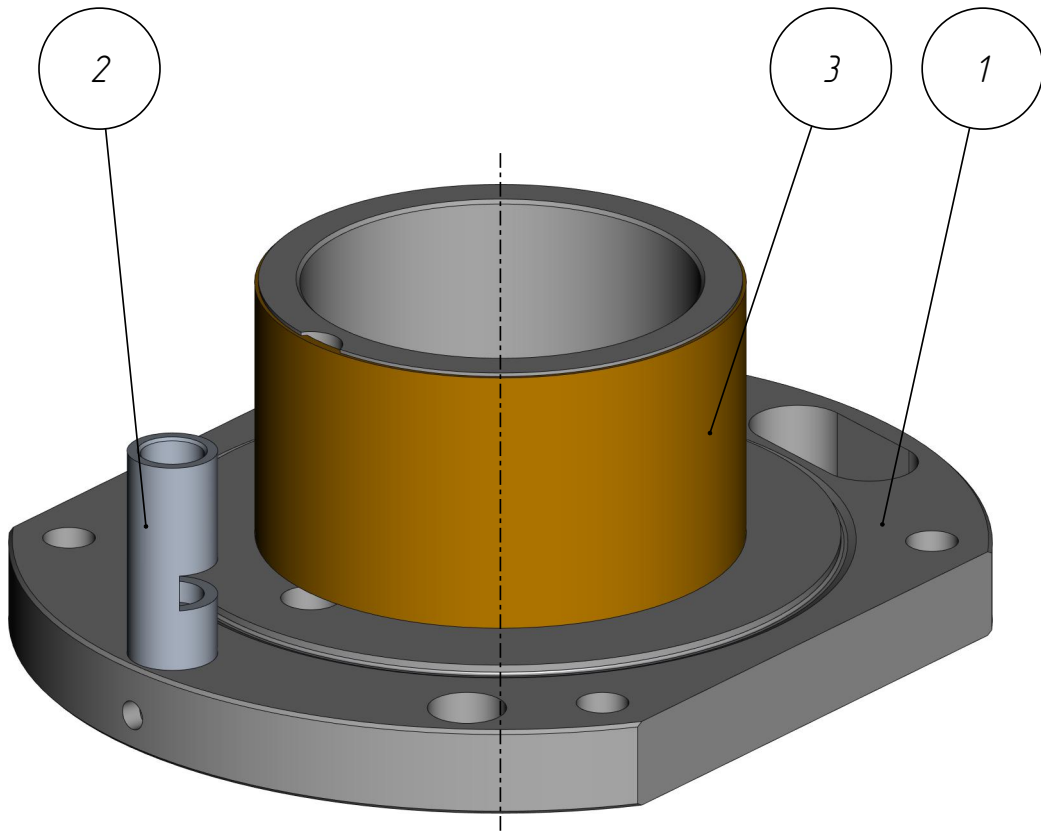
Mounting bracket  
MPL-401-006-001



Adapter  
PPL-401-006-002

Inductor coil  
MPL-401-005-001

401



MPL-401-005-001

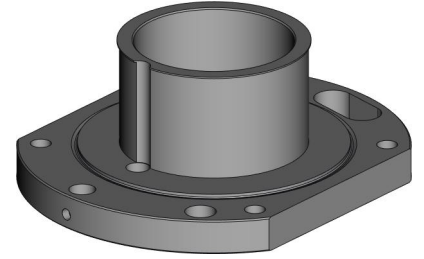
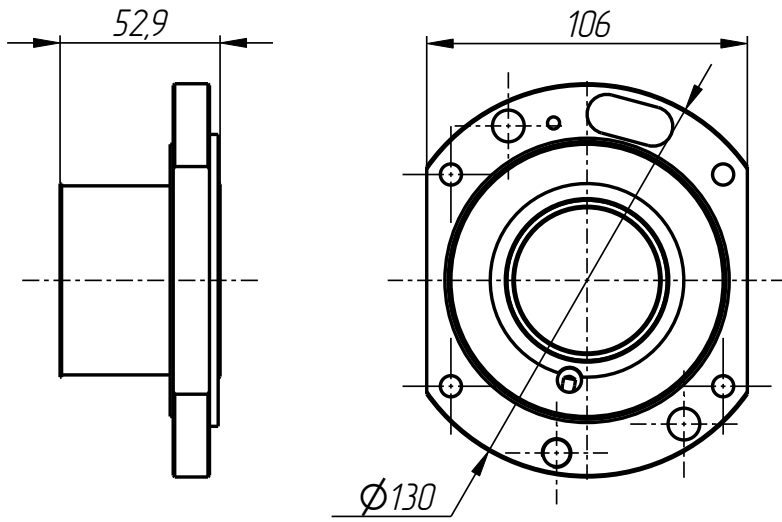
Inductor coil

Specification

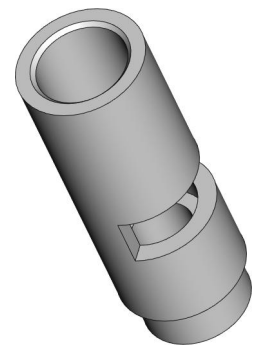
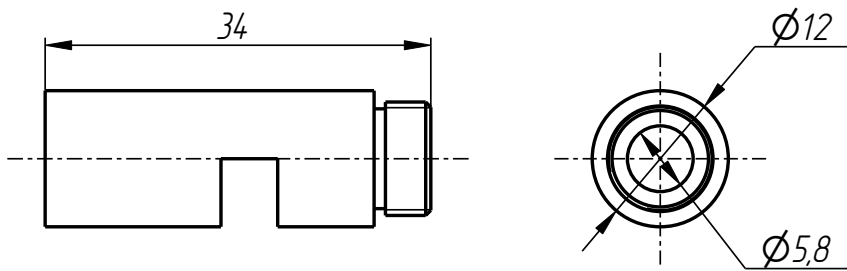
Nº pos.	Code	Name	Qty
---------	------	------	-----

Parts:

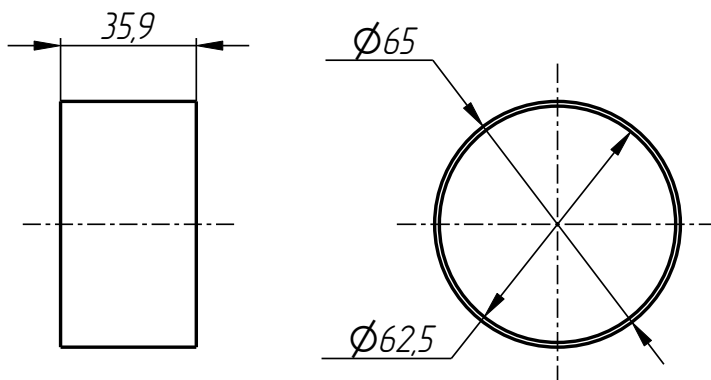
1	MPL-401-005-001-001	flange	1
2	MPL-401-005-001-002	Holder	1
3	MPL-401-005-001-003	inductance winding	1



flange  
MPL-401-005-001-001

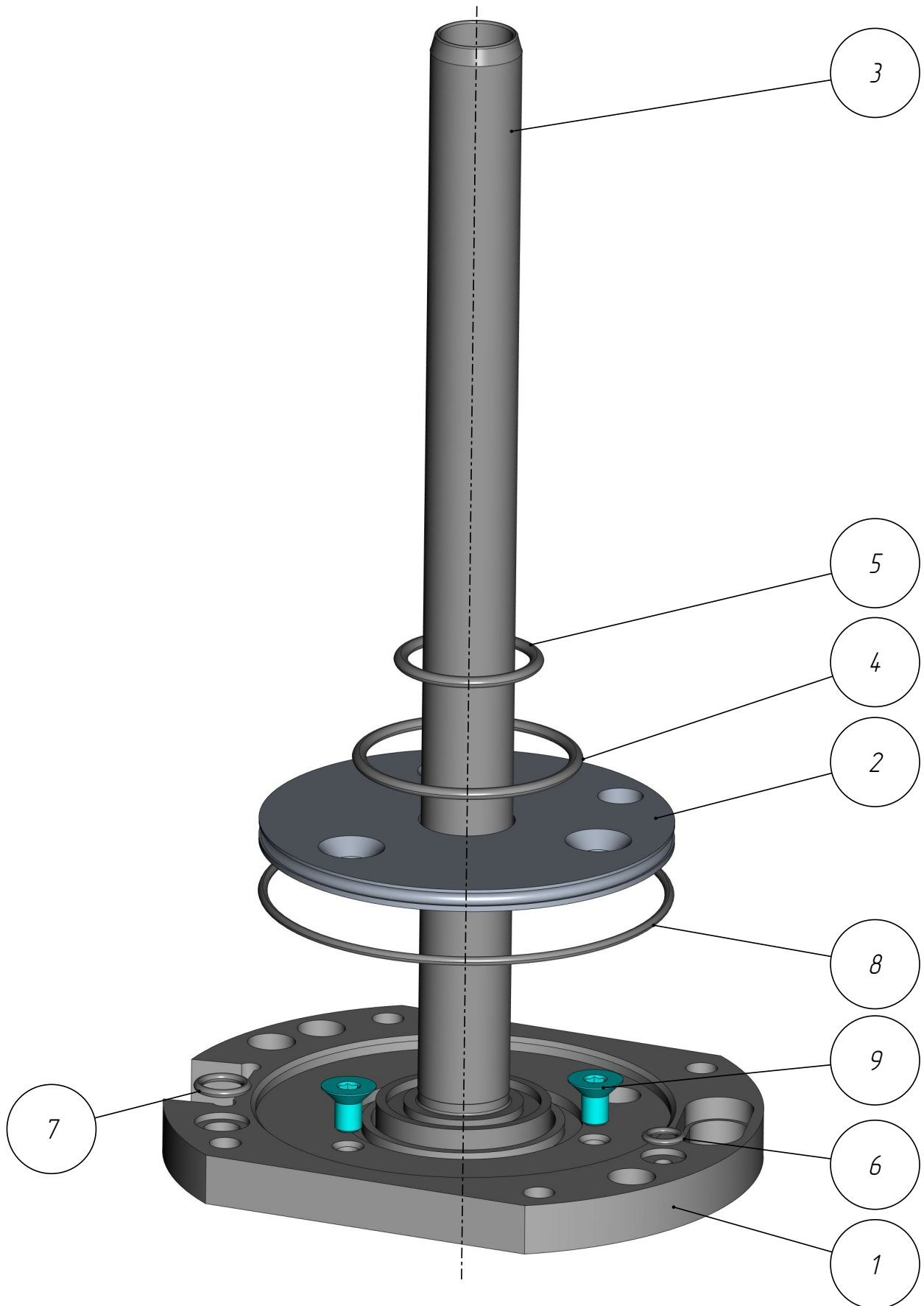


Holder  
MPL-401-005-001-002



inductance winding  
MPL-401-005-001-003

MPL-401-005-001



MPL-401-005-002

# MPL-401-005-002

## Cap assembly

### Specification

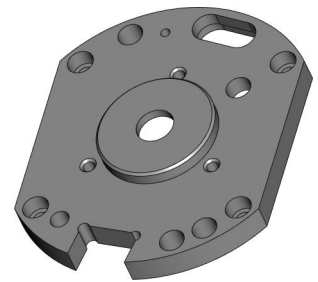
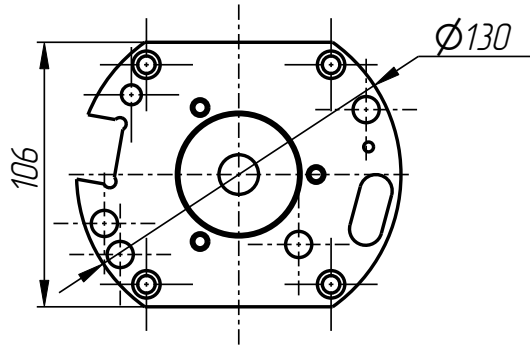
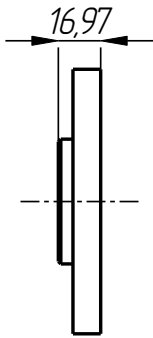
<i>Nº pos.</i>	<i>Code</i>	<i>Name</i>	<i>Qty</i>
----------------	-------------	-------------	------------

#### Parts:

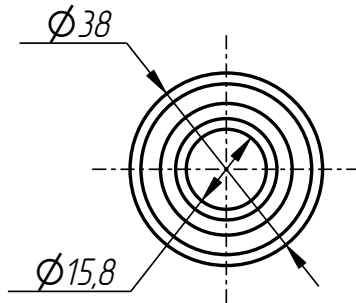
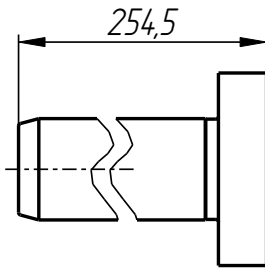
1	MPL-401-001-005-001	Cap	1
2	MPL-401-001-005-003	Washer	1
3	MPL-401-005-002-001	Stock	1

#### Standard parts:

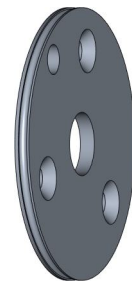
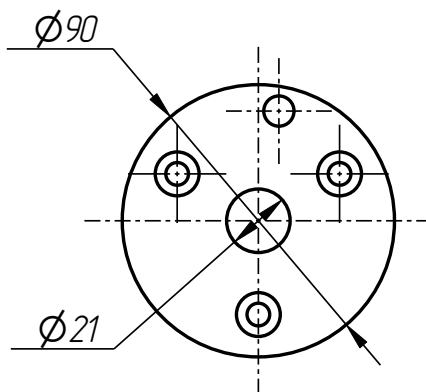
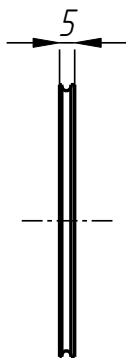
4	Ring 445030		1
5	Ring 26.532.537		1
6	Ring 5.79.51.97		1
7	Ring 8.712.51.97		1
8	Ring 83.588.52.57		1
9	Screw M6x10 DIN 7991		3



Cap  
MPL-401-001-005-001



Stock  
MPL-401-005-002-001



Washer  
MPL-401-001-005-003