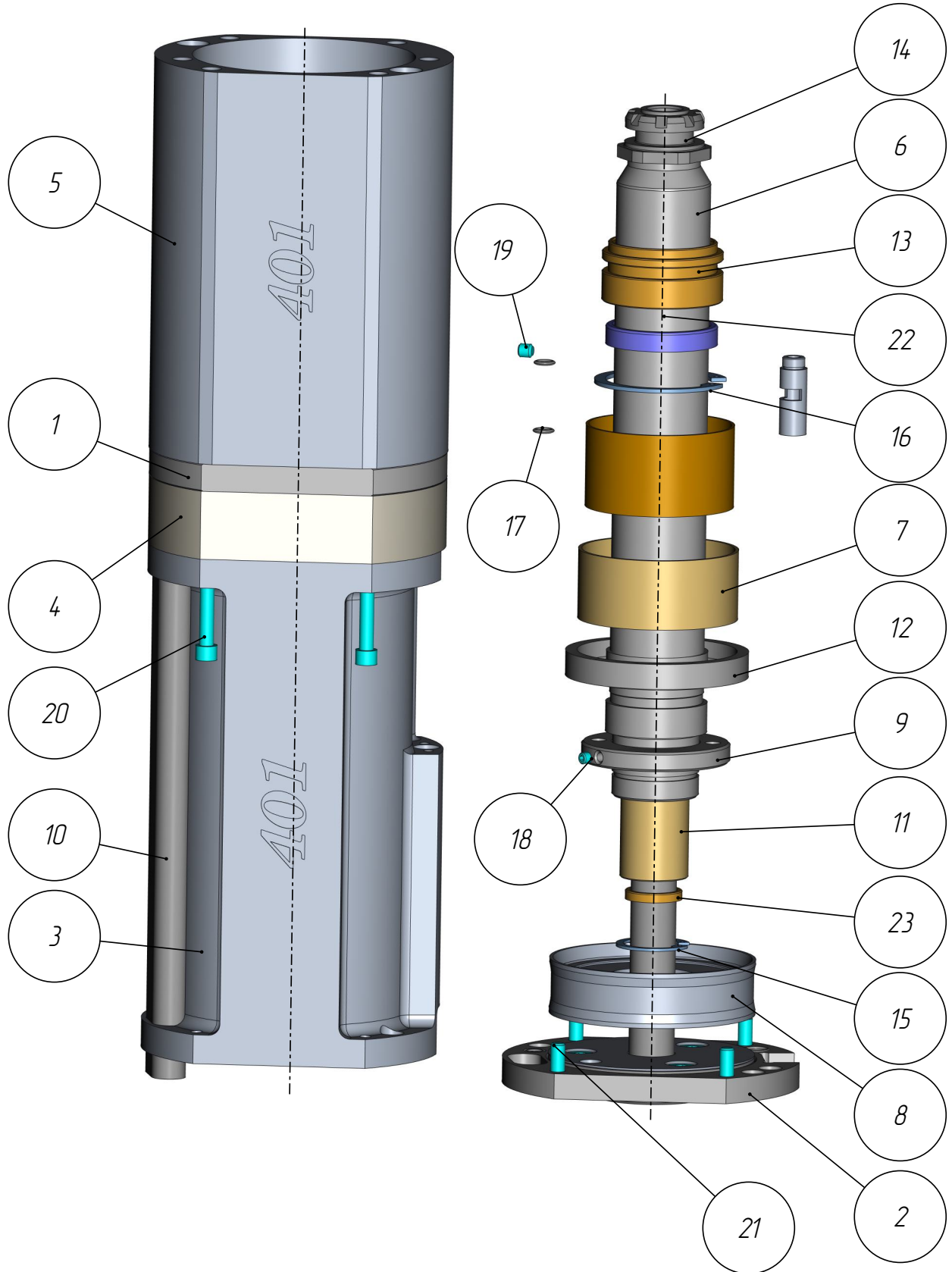


401

MPL-401-005

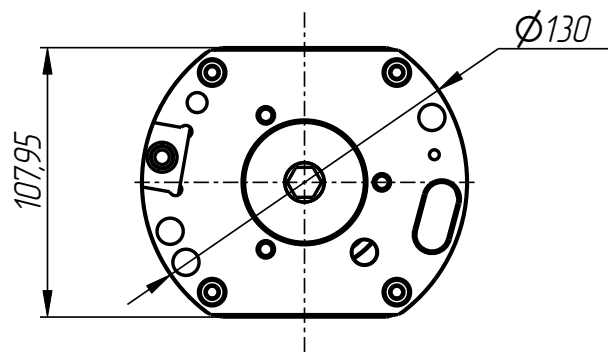
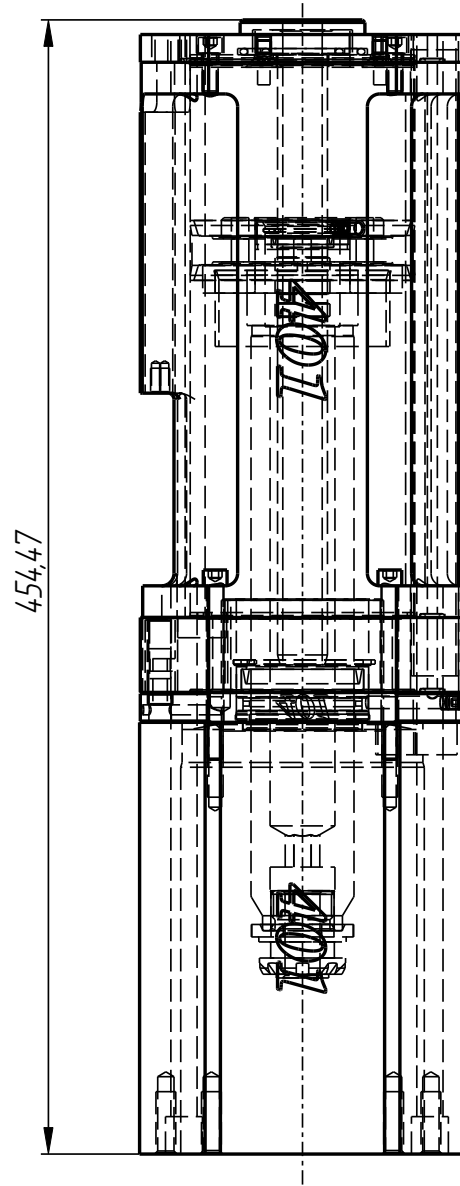
*Plunger mechanism
(10-12-575_F-M2)*



MPL-401-005

Plunger mechanism
(10-12-575_F-M2)
MPL-401-005

401



MPL-401-005

MPL-401-005

Plunger mechanism
(10-12-575_F-M2)

Specification

Nº pos.	Code	Name	Qty
---------	------	------	-----

Сборочные единицы:

1	MPL-401-005-001	Inductor coil	1
2	MPL-401-005-002	Cap assembly	1

Parts:

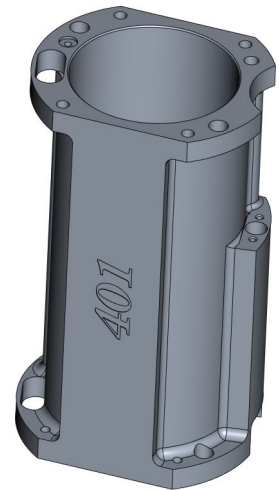
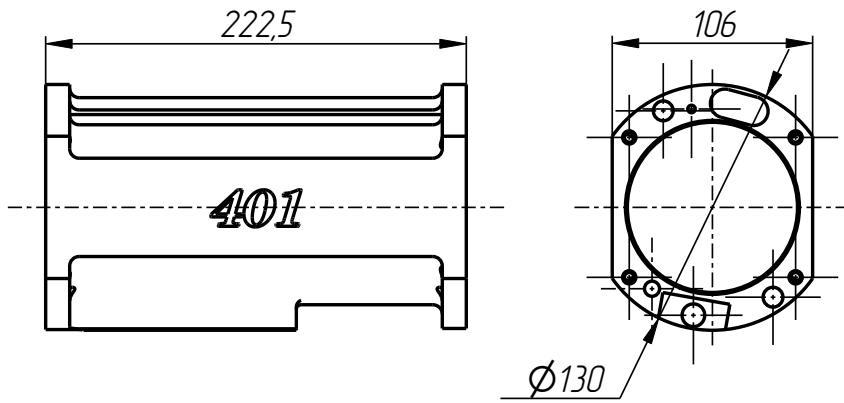
3	MPL-401-001-001	Cylinder	1
4	MPL-401-001-002	Flange	1
5	MPL-401-001-004	Cylinder	1
6	MPL-401-001-006	Stock	1
7	MPL-401-001-009	Bushing	1
8	MPL-401-001-010	Piston	1
9	MPL-401-001-011	Ring	1
10	MPL-401-001-013	Tube	1
11	MPL-401-003-003-003	Bushing	1
12	MPL-401-004-001	Space plate	1
13	MPL-401-004-002	Bushing	1
14	MPL-401-004-003	Adapter	1

Standard parts:

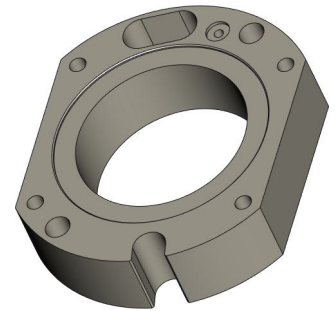
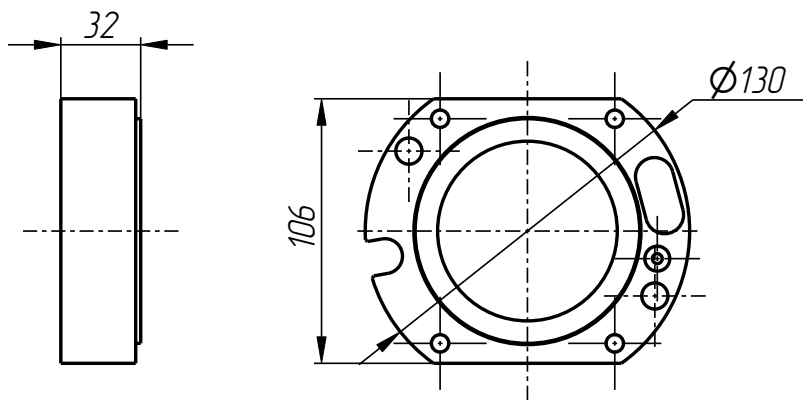
15	Locking Ring ϕ 30 GOST 13943-86	1
16	Locking Ring ϕ 54 GOST 13943-86	1
17	Ring 5.79.51.97	2
18	Screw GOST 8878-93	2
19	Screw GOST 11074-93	1
20	Screw UNC1/4"-20x2 3/4" DIN 912	4
21	Screw UNC1/4"-20x5/8" DIN 912	4
22	Sealing 41.27498	1
23	Sealing 20254	1

Plunger mechanism
(10-12-575_F-M2)
MPL-401-005

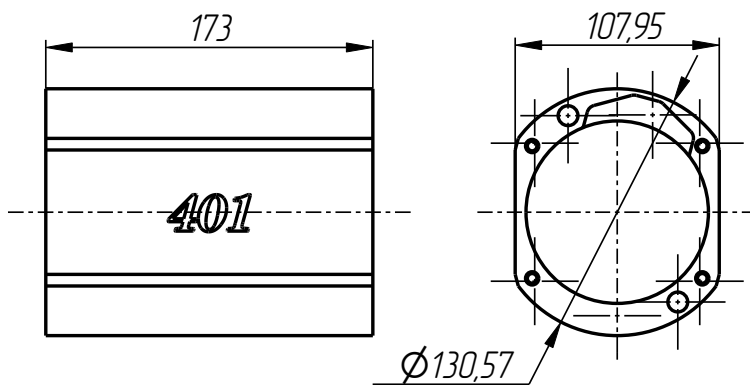
401



Cylinder
MPL-401-001-001

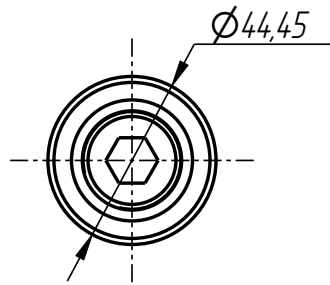
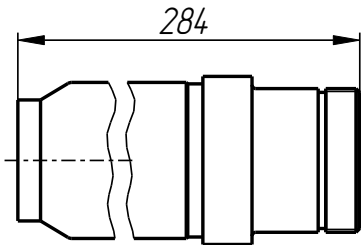


Flange
MPL-401-001-002

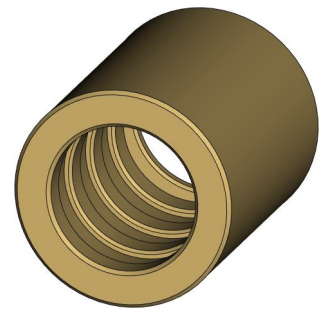
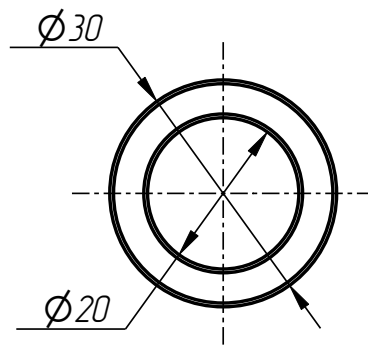
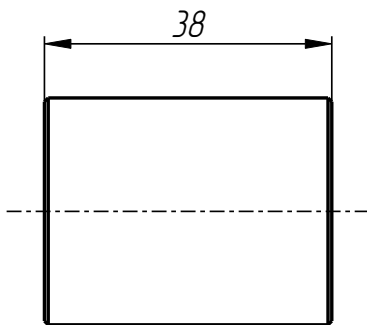


Cylinder
MPL-401-001-004

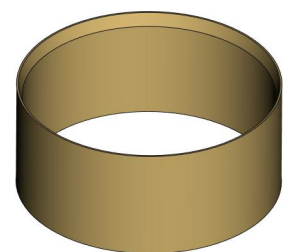
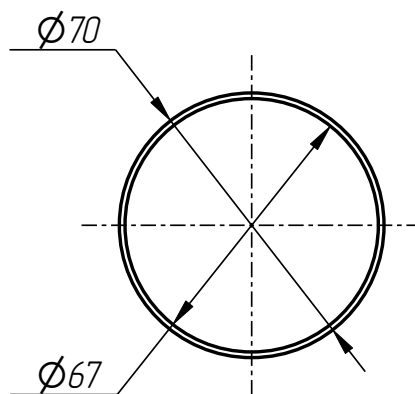
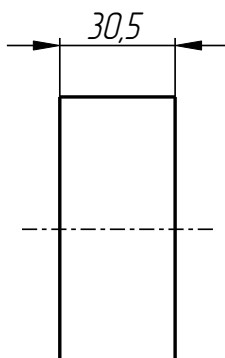
MPL-401-005



Stock
MPL-401-001-006

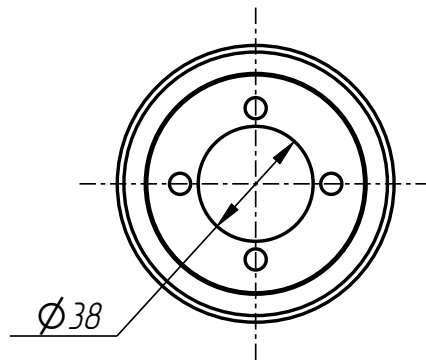
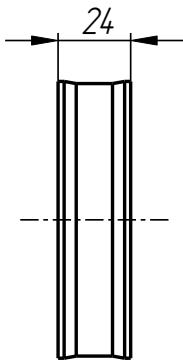


Bushing
MPL-401-003-003-003

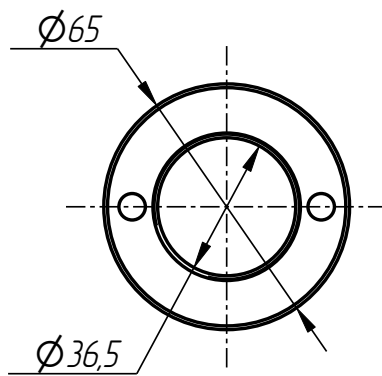
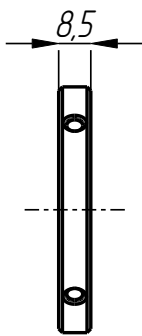


Bushing
MPL-401-001-009

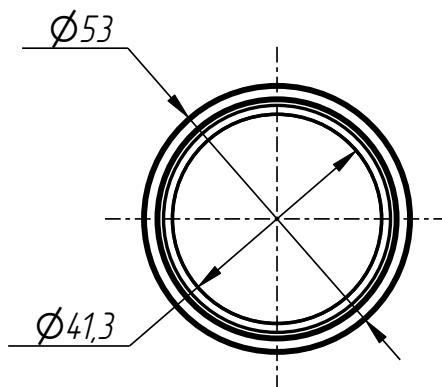
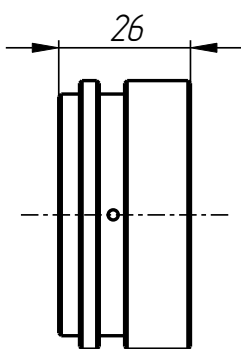
MPL-401-005



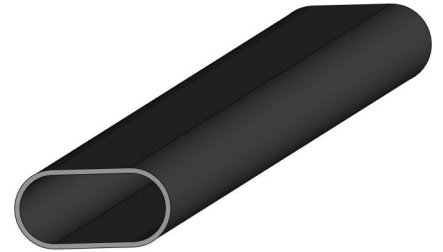
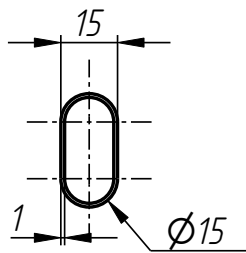
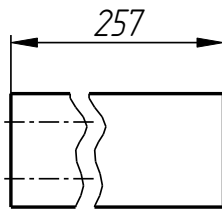
Piston
MPL-401-001-010



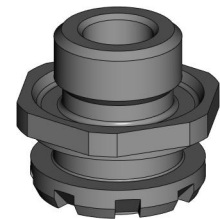
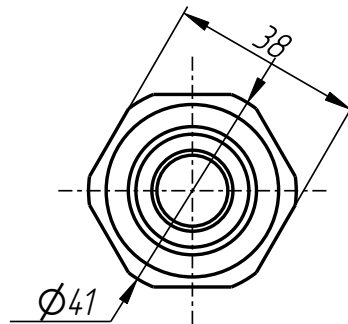
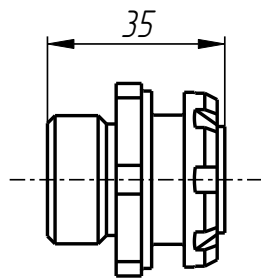
Ring
MPL-401-001-011



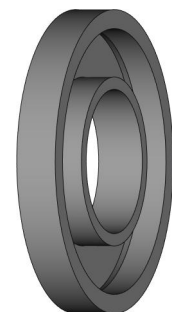
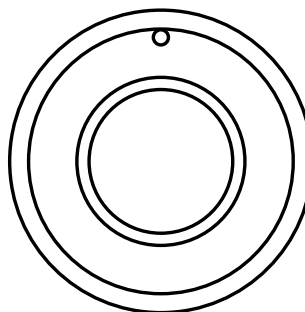
Bushing
MPL-401-004-002



Tube
MPL-401-001-013



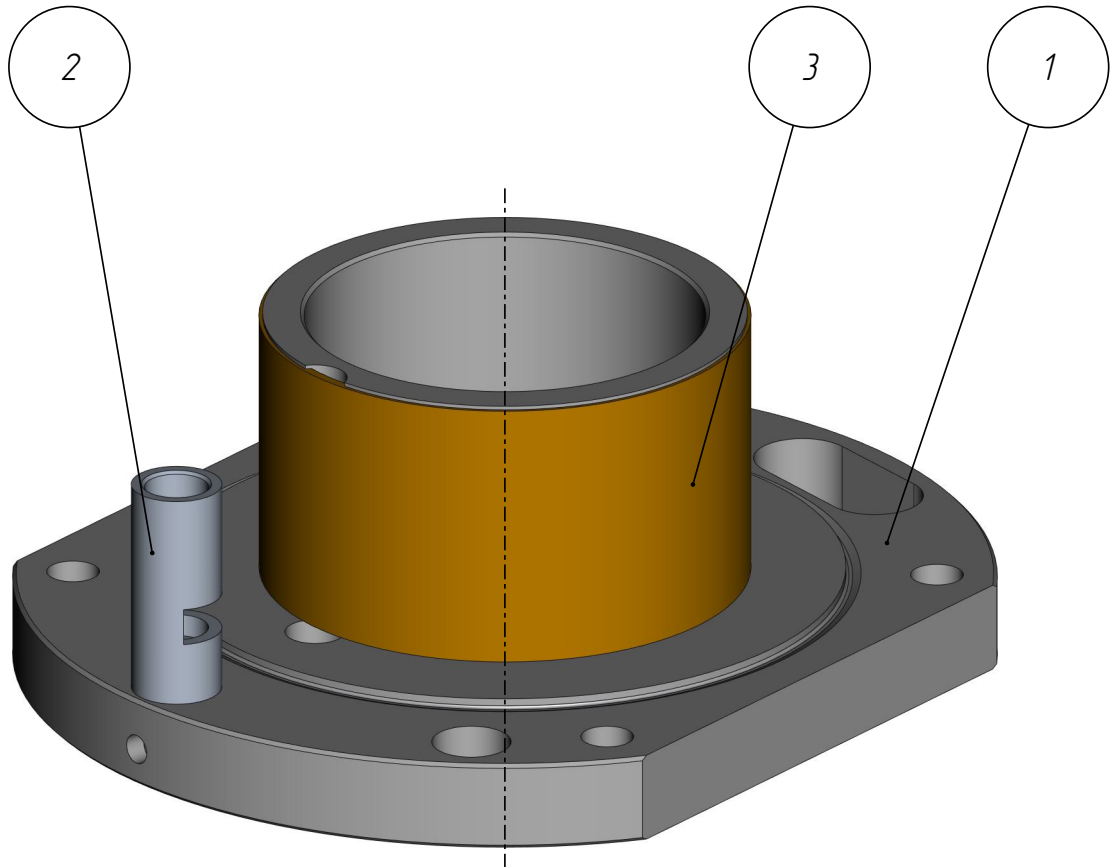
Adapter
MPL-401-004-003



Space plate
MPL-401-004-001

Inductor coil
MPL-401-005-001

401



MPL-401-005-001

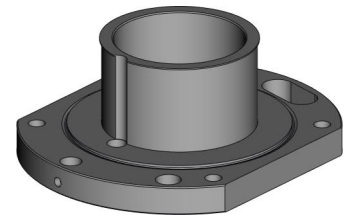
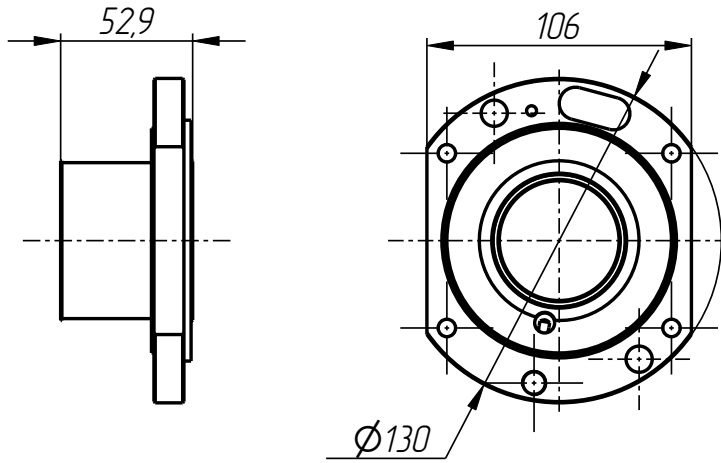
Inductor coil

Specification

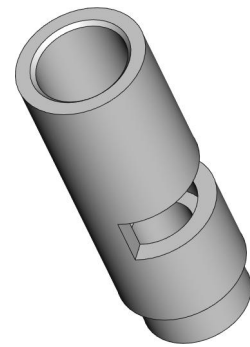
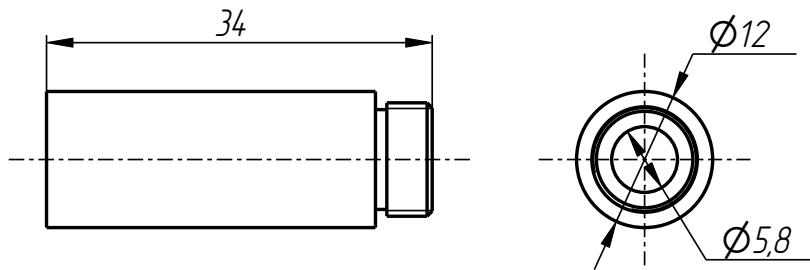
<i>Nº pos.</i>	<i>Code</i>	<i>Name</i>	<i>Qty</i>
<i>Parts:</i>			
1	MPL-401-005-001-001	flange	1
2	MPL-401-005-001-002	Holder	1
3	MPL-401-005-001-003	inductance winding	1

Inductor coil
MPL-401-005-001

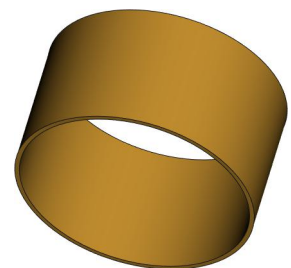
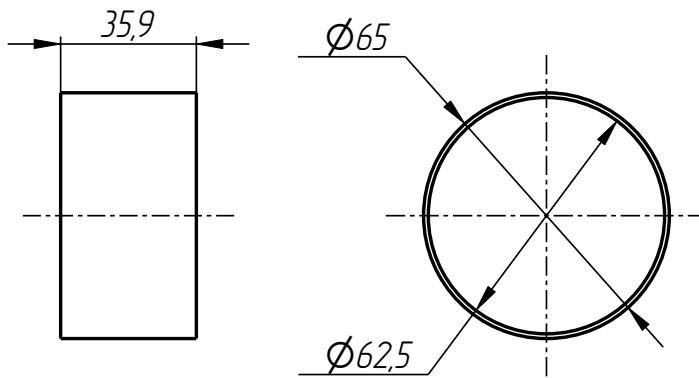
401



flange
MPL-401-005-001-001

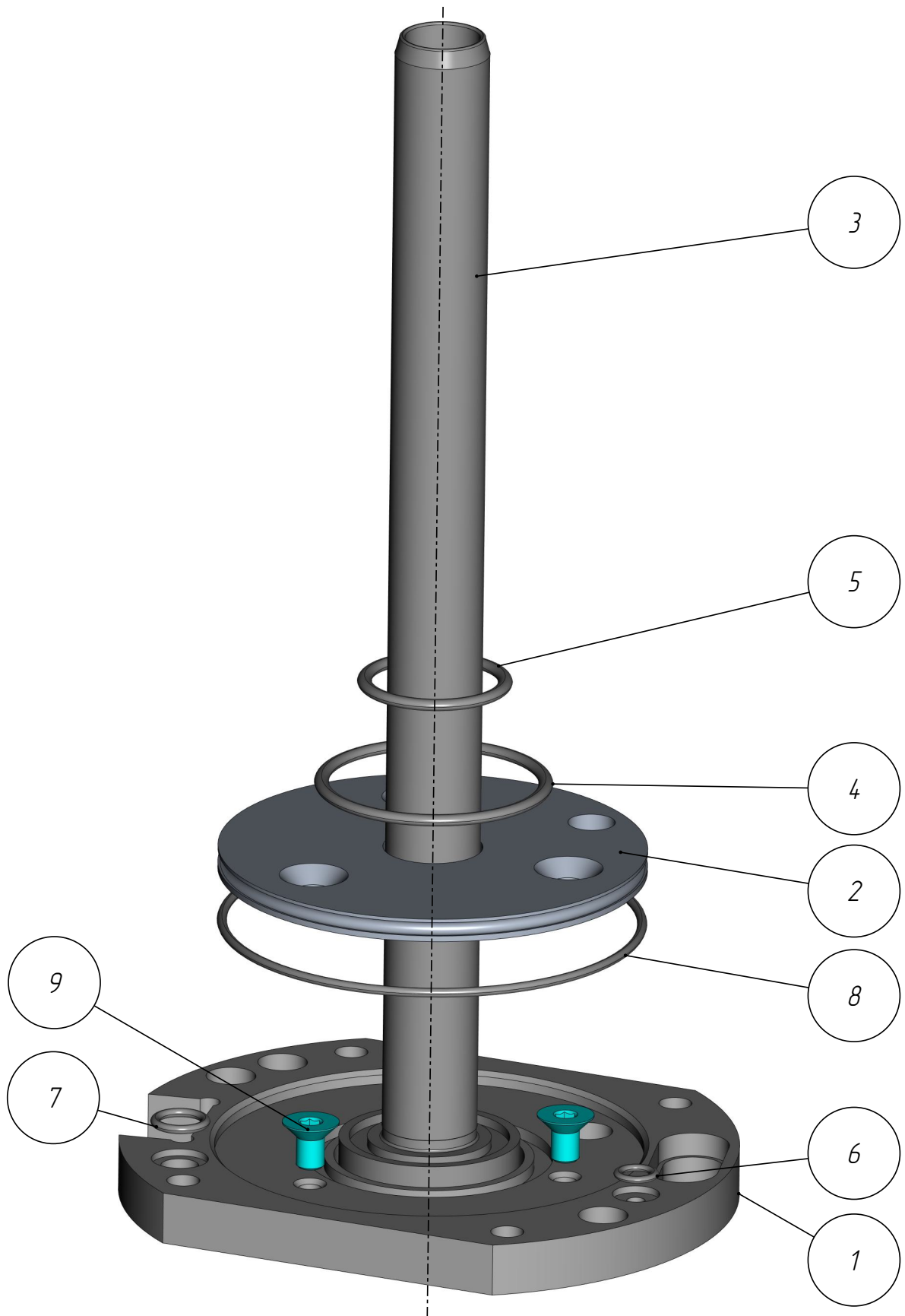


Holder
MPL-401-005-001-002



inductance winding
MPL-401-005-001-003

MPL-401-005-001



MPL-401-005-002

MPL-401-005-002

Cap assembly

Specification

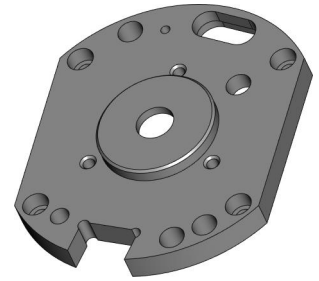
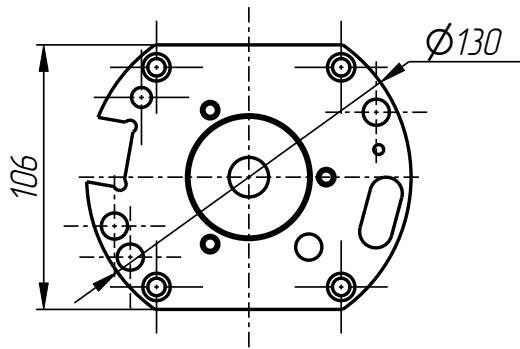
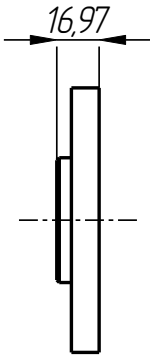
<i>Nº pos.</i>	<i>Code</i>	<i>Name</i>	<i>Qty</i>
----------------	-------------	-------------	------------

Parts:

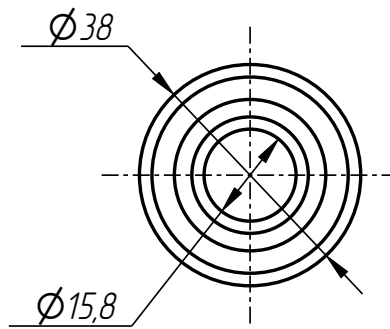
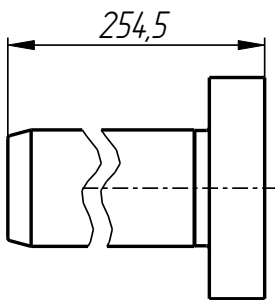
1	MPL-401-001-005-001	Cap	1
2	MPL-401-001-005-003	Washer	1
3	MPL-401-005-002-001	Stock	1

Standard parts:

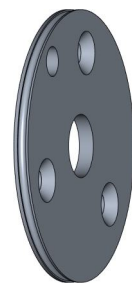
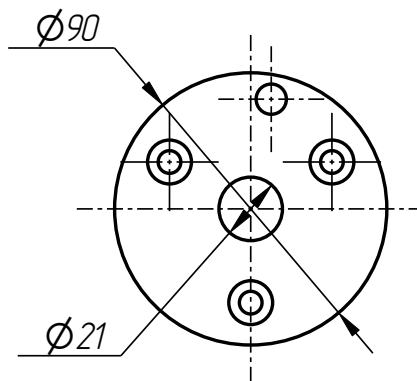
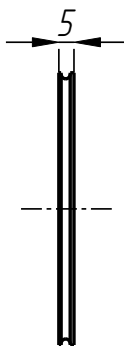
4	Ring 445030		1
5	Ring 26.532.537		1
6	Ring 5.79.51.97		1
7	Ring 8.712.51.97		1
8	Ring 83.588.52.57		1
9	Screw M6x10 DIN 7991		3



Cap
MPL-401-001-005-001



Stock
MPL-401-005-002-001



Washer
MPL-401-001-005-003

MPL-401-005-002