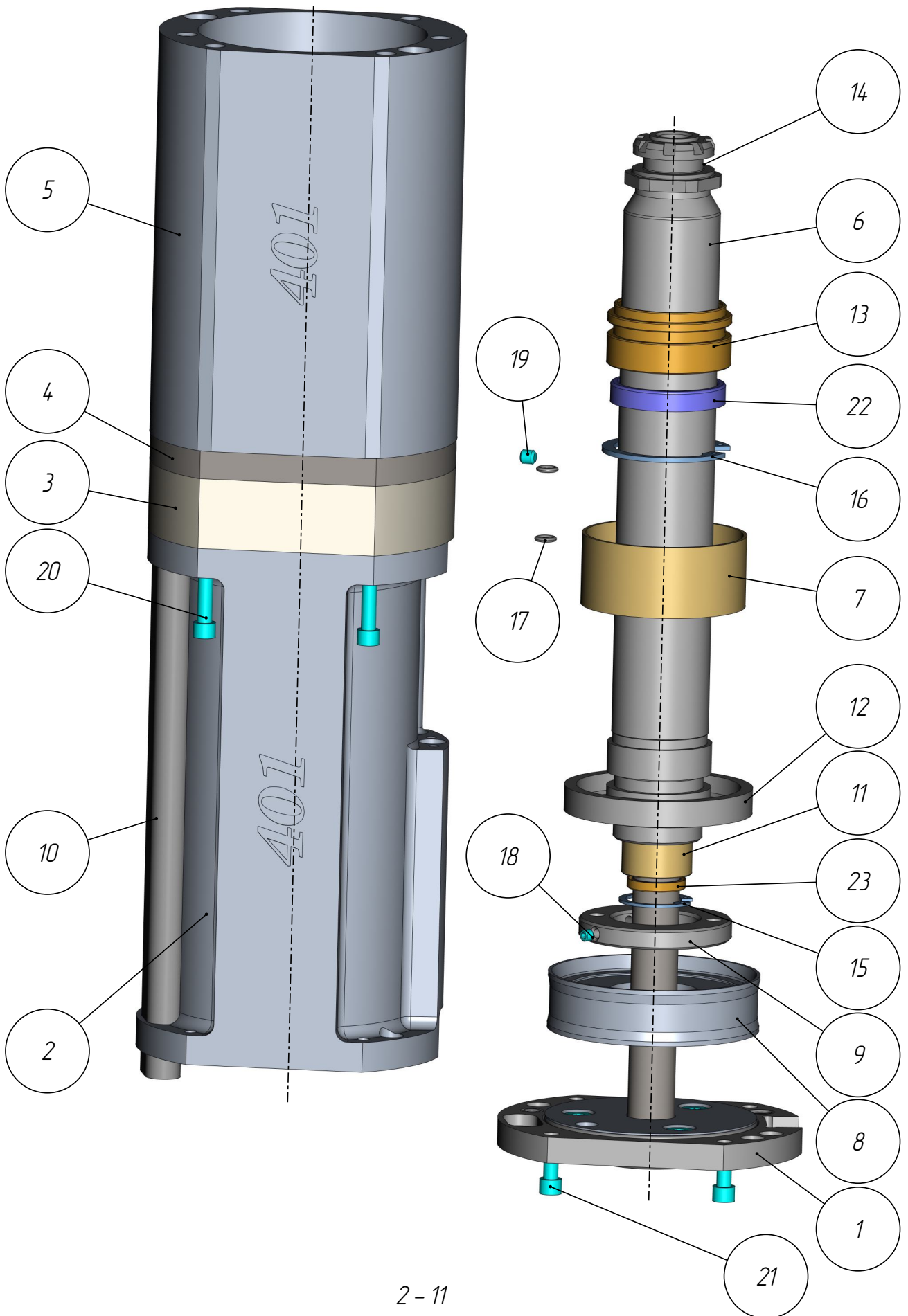


401

MPL-401-004

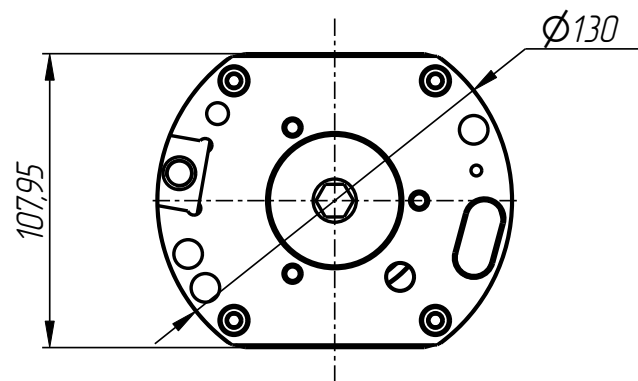
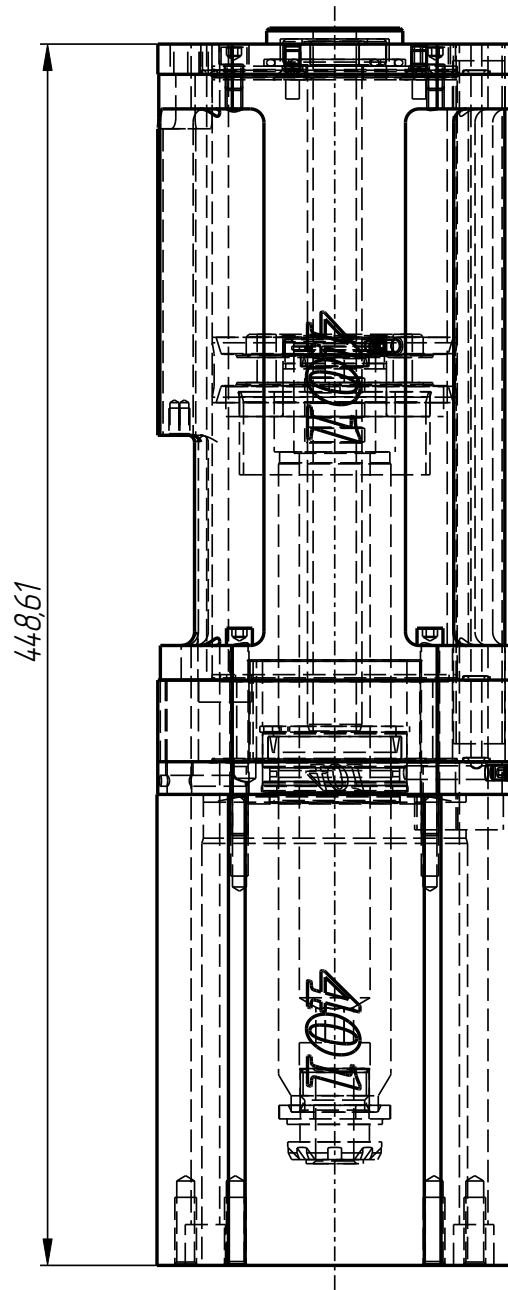
*Plunger mechanism
(10-12-575_F-M1)*



MPL-401-004

Plunger mechanism
(10-12-575_F-M1)
MPL-401-004

401



MPL-401-004

MPL-401-004

Plunger mechanism (10-12-575_F-M1)

Specification

N ^o pos.	Code	Name	Qty
---------------------	------	------	-----

Сборочные единицы:

1	MPL-401-001-005	Cap assembly	1
---	-----------------	--------------	---

Parts:

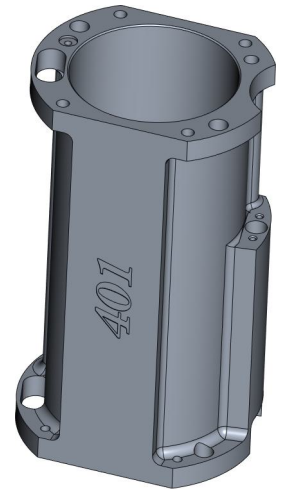
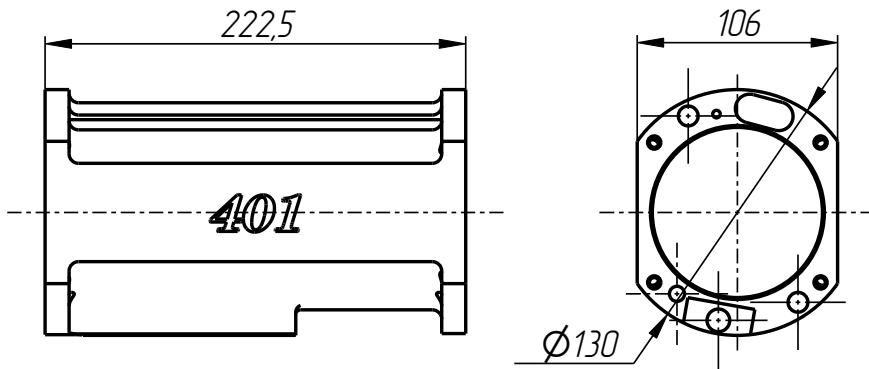
2	MPL-401-001-001	Cylinder	1
3	MPL-401-001-002	Flange	1
4	MPL-401-001-003	Flange	1
5	MPL-401-001-004	Cylinder	1
6	MPL-401-001-006	Stock	1
7	MPL-401-001-009	Bushing	1
8	MPL-401-001-010	Piston	1
9	MPL-401-001-011	Ring	1
10	MPL-401-001-013	Tube	1
11	MPL-401-003-003-003	Bushing	1
12	MPL-401-004-001	Space plate	1
13	MPL-401-004-002	Bushing	1
14	MPL-401-004-003	Adapter	1

Standard parts:

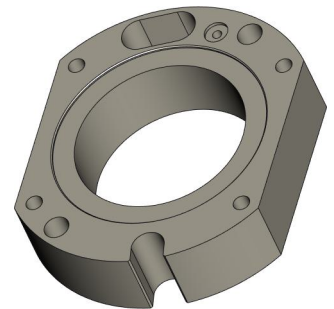
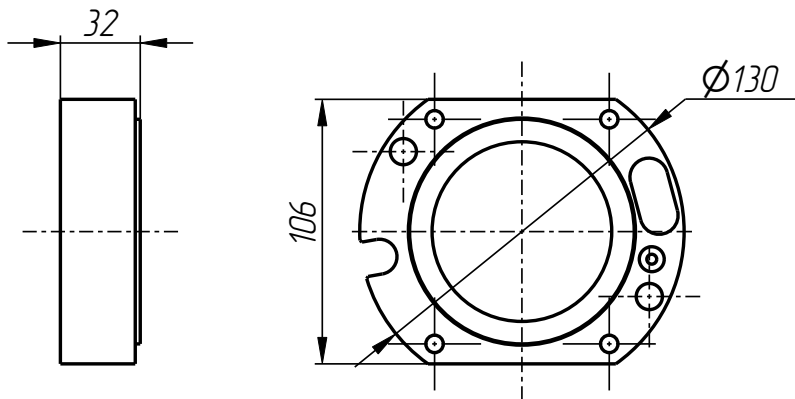
15	Locking Ring ϕ 30 DIN 472	1
16	Locking Ring ϕ 54 DIN 472	1
17	Ring 5.79.51.97	2
18	Screw GOST 8878-93	2
19	Screw GOST 11074-93	1
20	Screw UNC1/4"-20x2 3/4" DIN 912	4
21	Screw UNC1/4"-20x3/8" DIN 912	4
22	Sealing 41.27498	1
23	Sealing 20254	1

Plunger mechanism
(10-12-575_F-M1)
MPL-401-004

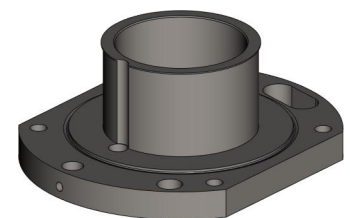
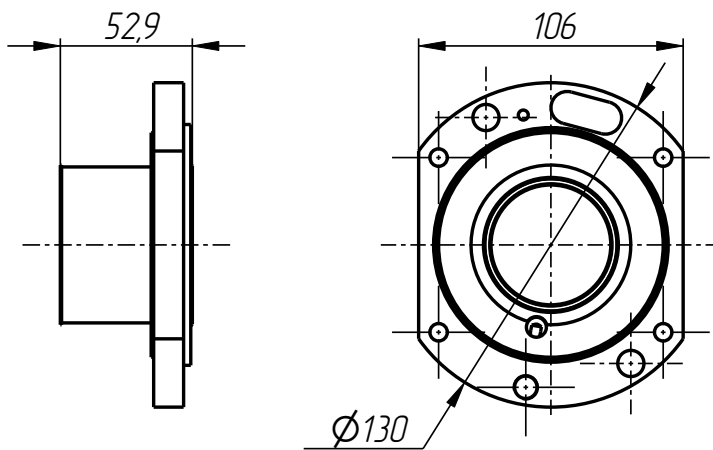
401



Cylinder
MPL-401-001-001



Flange
MPL-401-001-002

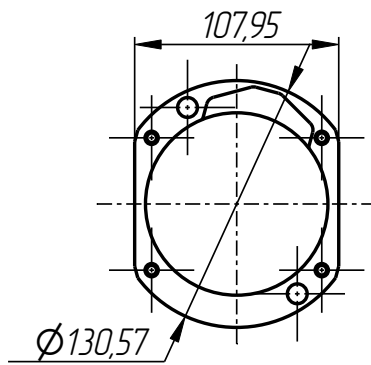
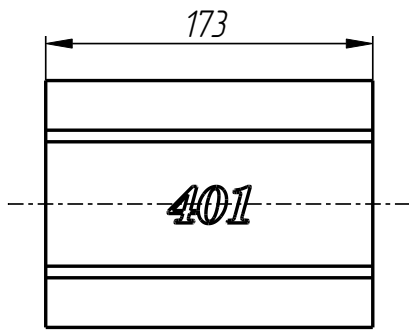


Flange
MPL-401-001-003

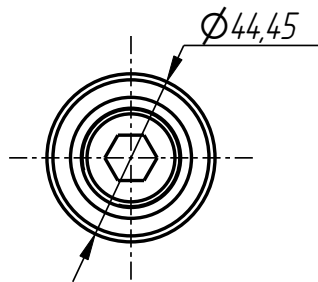
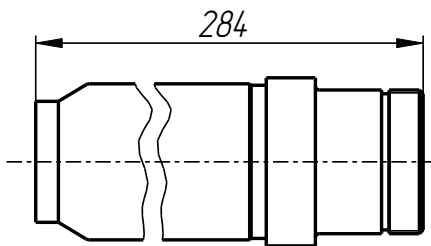
MPL-401-004

Plunger mechanism
(10-12-575_F-M1)
MPL-401-004

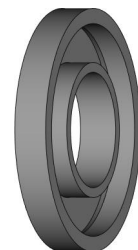
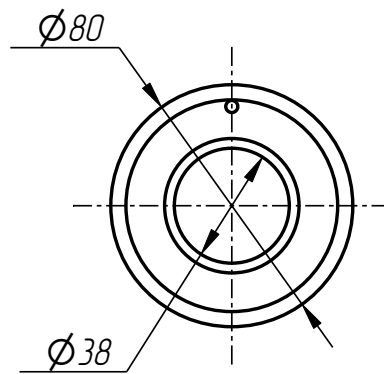
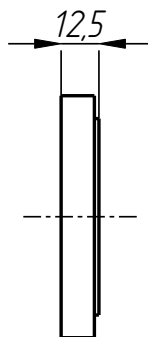
401



Cylinder
MPL-401-001-004

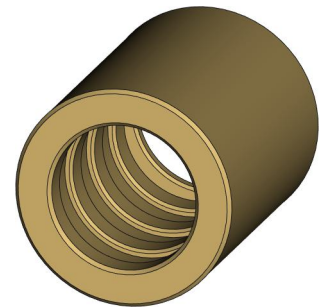
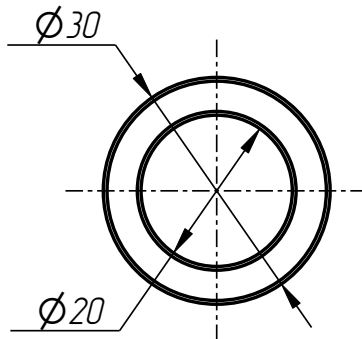
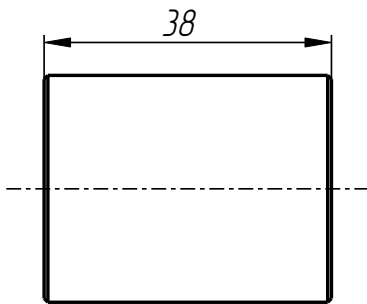


Stock
MPL-401-001-006

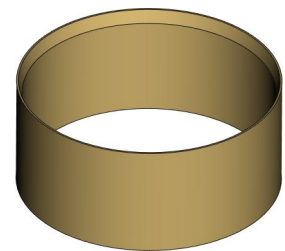
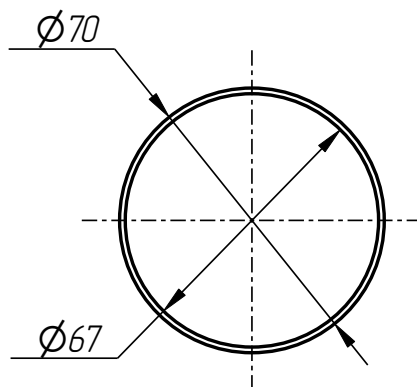
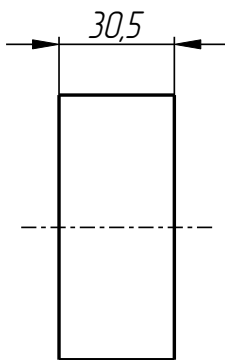


Space plate
MPL-401-004-001

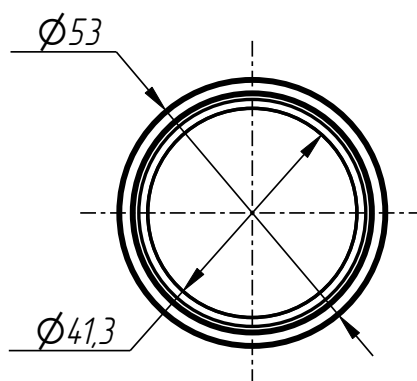
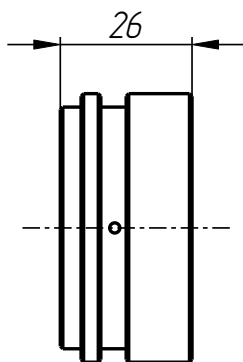
MPL-401-004



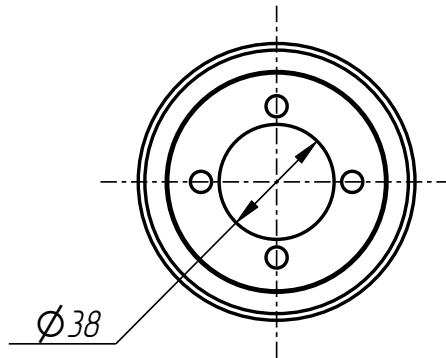
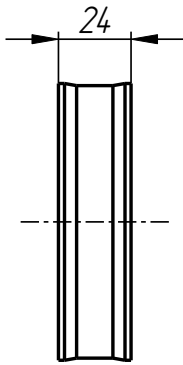
Bushing
MPL-401-003-003-003



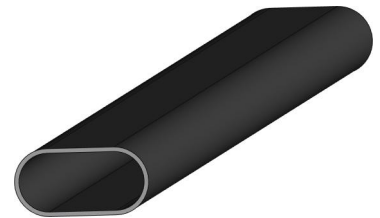
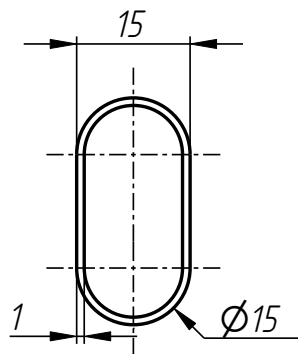
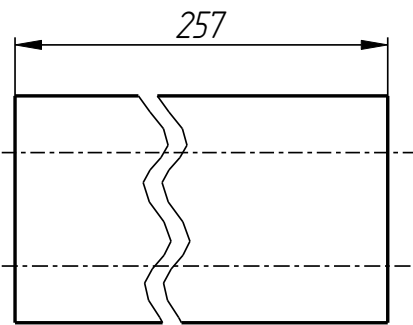
Bushing
MPL-401-001-009



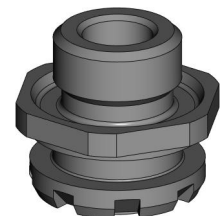
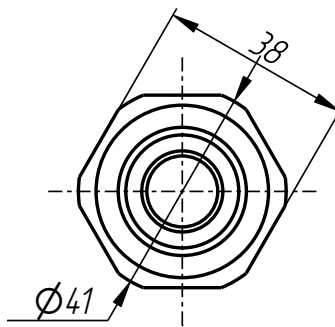
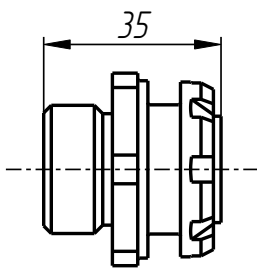
Bushing
MPL-401-004-002



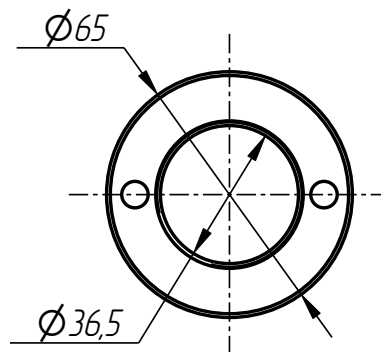
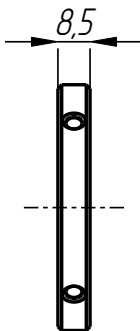
Piston
MPL-401-001-010



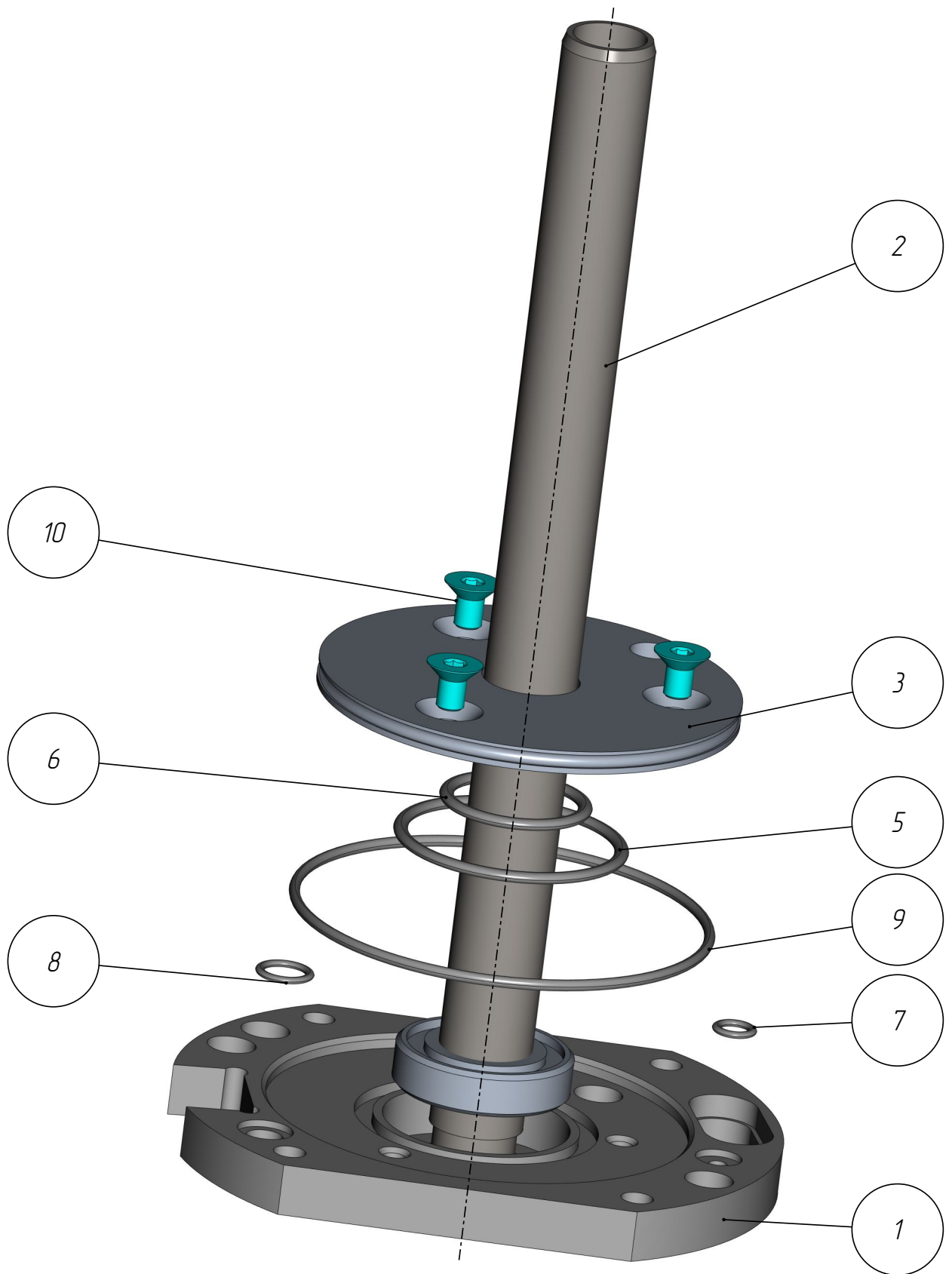
Tube
MPL-401-001-013



Adapter
MPL-401-004-003



Ring
MPL-401-001-011



MPL-401-001-005

MPL-401-001-005

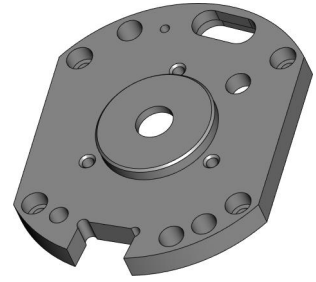
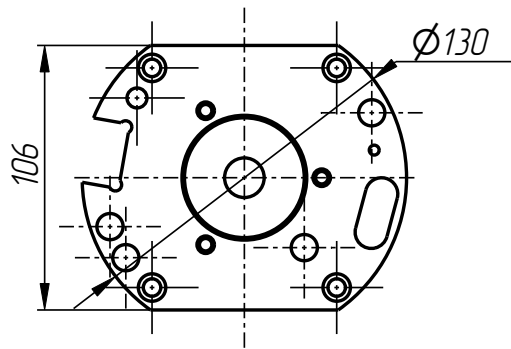
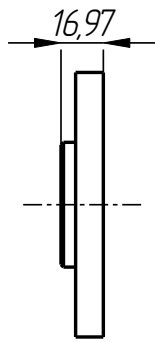
Cap assembly

Specification

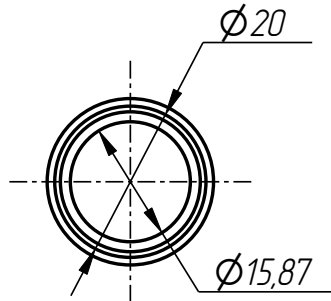
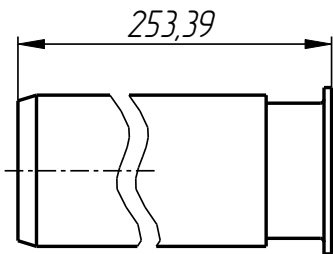
<i>Nº pos.</i>	<i>Code</i>	<i>Name</i>	<i>Qty</i>
<i>Parts:</i>			
1	MPL-401-001-005-001	Cap	1
2	MPL-401-001-005-002	Stock	1
3	MPL-401-001-005-003	Washer	1
4	MPL-401-001-005-004	Ring	1

Standard parts:

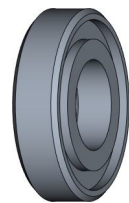
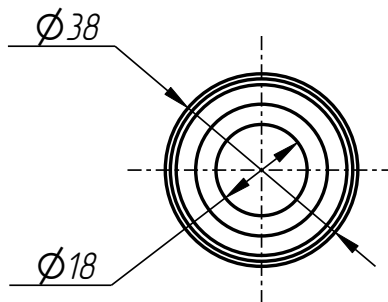
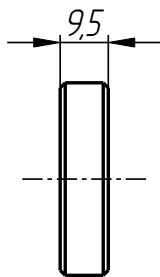
5	Ring 445030	1
6	Ring 26.532.537	1
7	Ring 5.79.51.90	1
8	Ring 8.712.51.97	1
9	Ring 83.588.52.57	1
10	Screw M6x10 DIN 7991	3



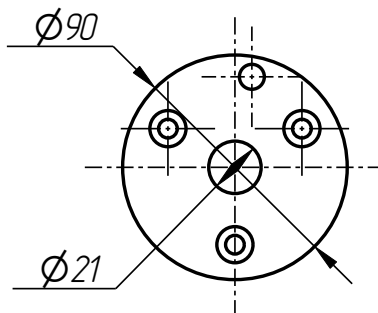
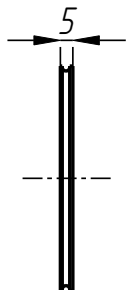
Cap
MPL-401-001-005-001



Stock
MPL-401-001-005-002



Ring
MPL-401-001-005-004



Washer
MPL-401-001-005-003