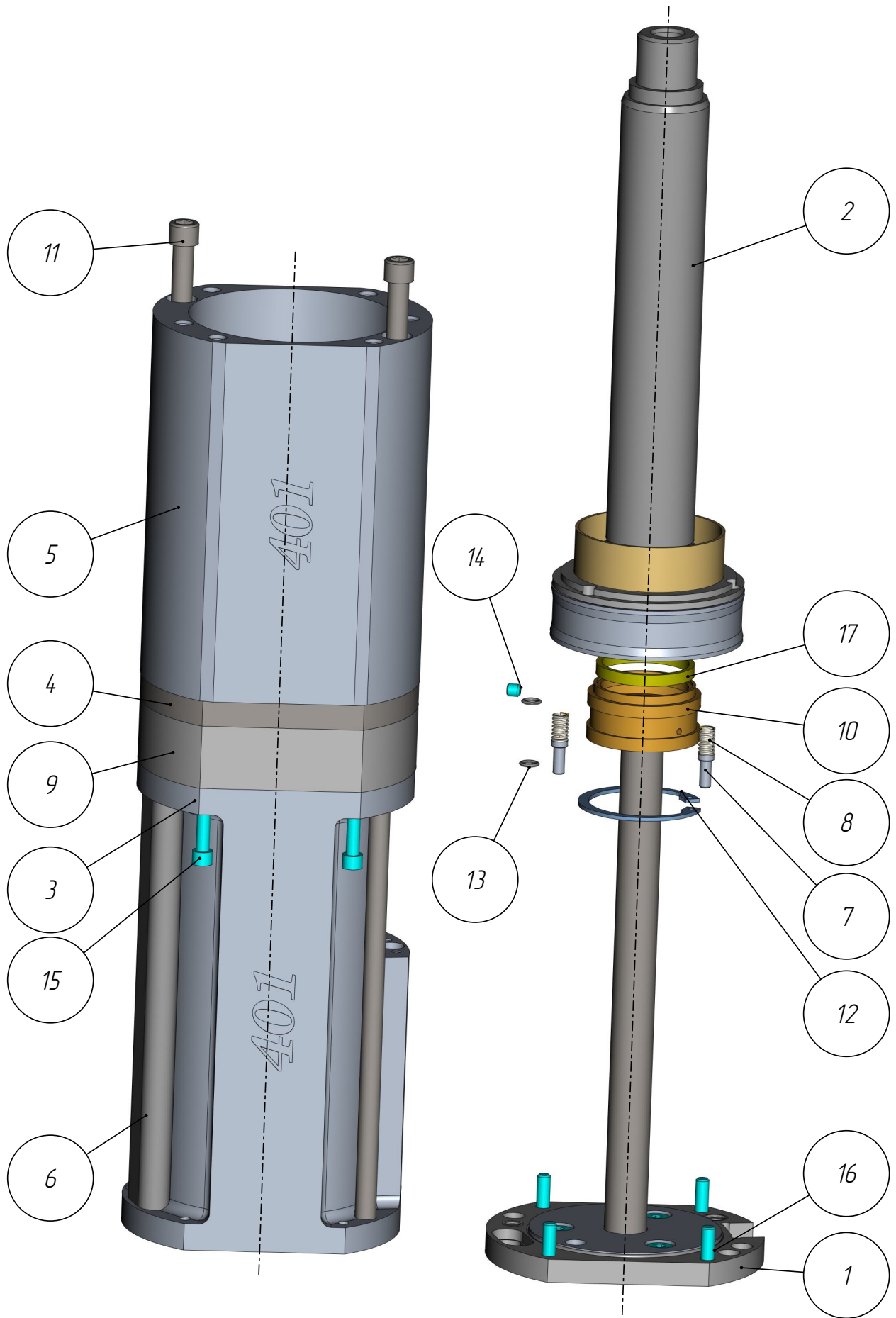


401

MPL-401-002

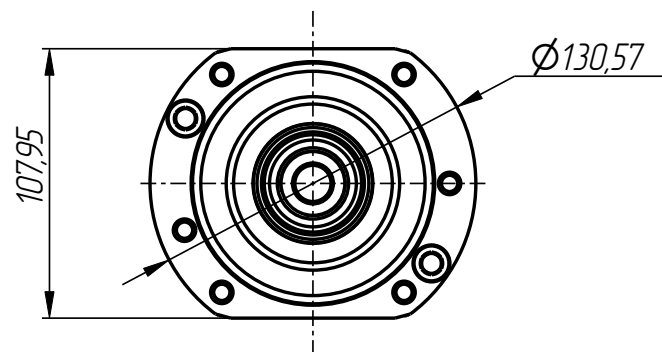
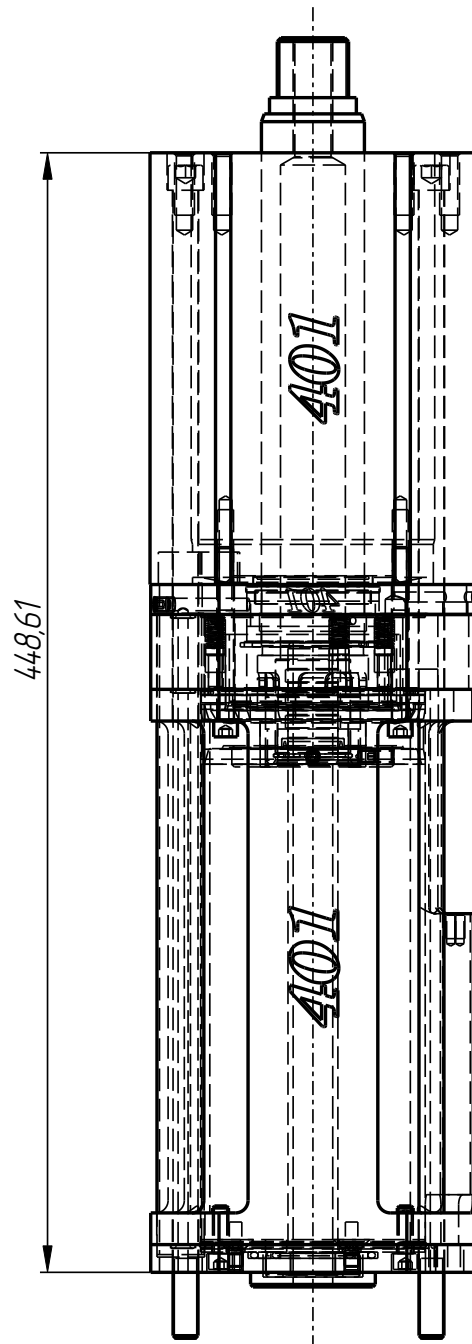
*Plunger mechanism
(10-12-575_FDM)*



MPL-401-002

Plunger mechanism
(10-12-575_FDM)
MPL-401-002

401



MPL-401-002

MPL-401-002

Plunger mechanism
(10-12-575_FDM)

Specification

Nº pos.	Code	Name	Qty
---------	------	------	-----

Сборочные единицы:

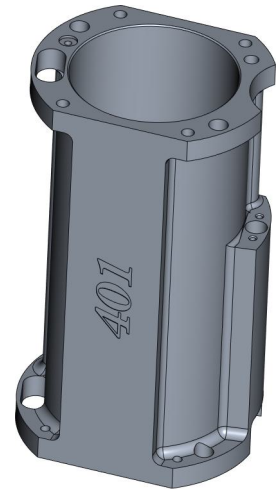
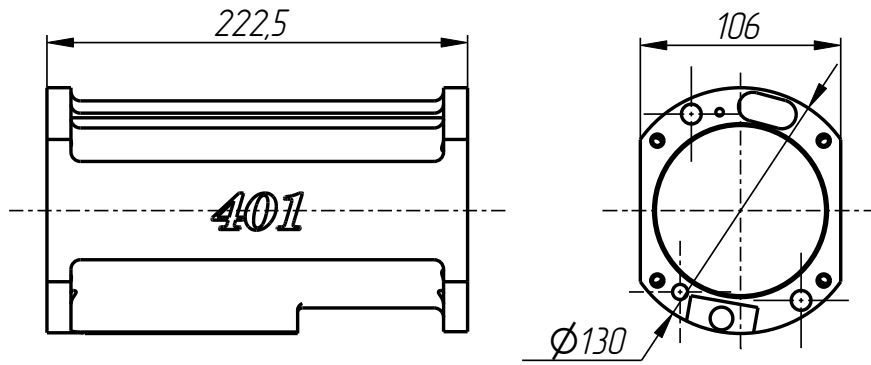
1	MPL-401-001-005	Cap assembly	1
2	MPL-401-002-003	Piston assembly	1

Parts:

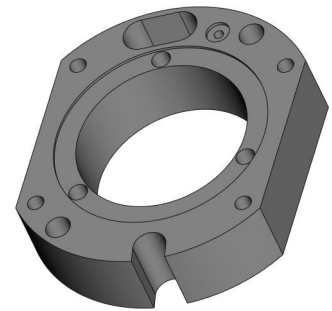
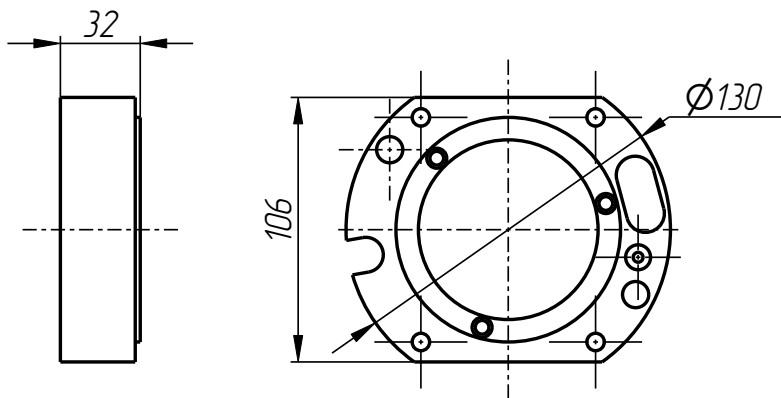
3	MPL-401-001-001	Cylinder	1
4	MPL-401-001-003	Flange	1
5	MPL-401-001-004	Cylinder	1
6	MPL-401-001-013	Tube	1
7	MPL-401-002-006	Plug	3
8	MPL-401-002-007	Spring	3
9	MPL-401-003-001	Flange	1
10	MPL-401-003-002	Bushing	1
11	MPL-401-003-004	Screw	2

Standard parts:

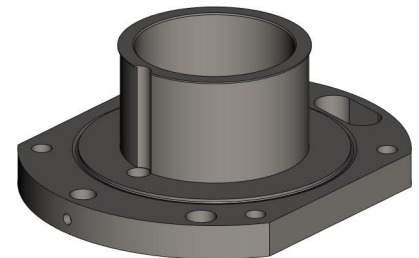
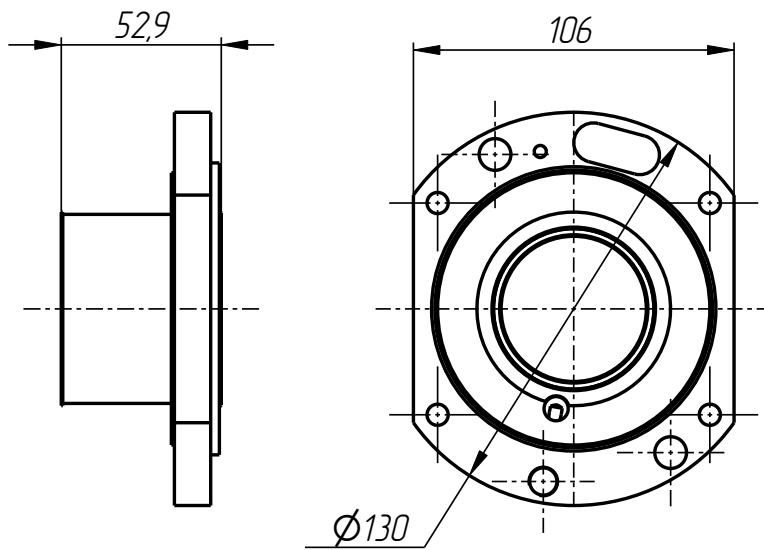
12	Locking Ring $\phi 54$ GOST 13943-86	1
13	Ring 5.79.51.97	2
14	Screw GOST 11074-93	1
15	Screw UNC1/4"-20x2 3/4" DIN 912	4
16	Screw UNC1/4"-20x3/4" DIN 912	4
17	Sealing 1.41465.4	1



Cylinder
MPL-401-001-001

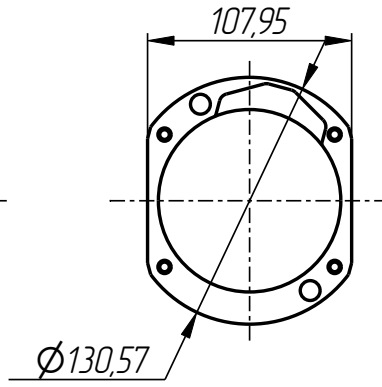
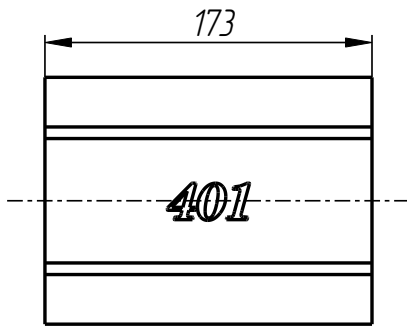


Flange
MPL-401-003-001

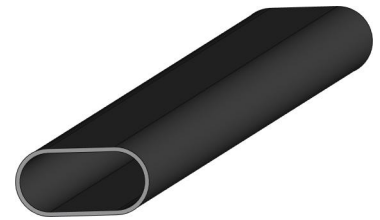
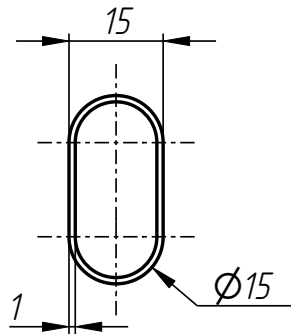
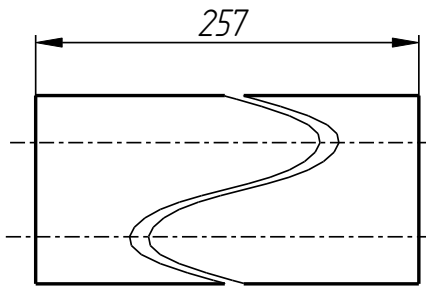


Flange
MPL-401-001-003

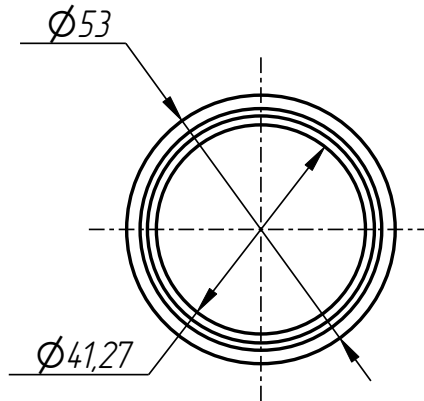
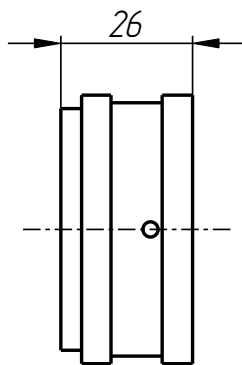
MPL-401-002



Cylinder
MPL-401-001-004

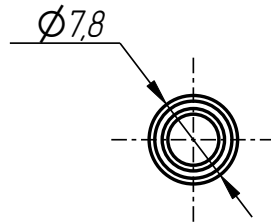
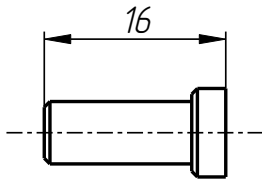


Tube
MPL-401-001-013

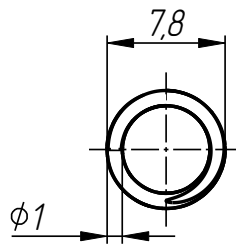
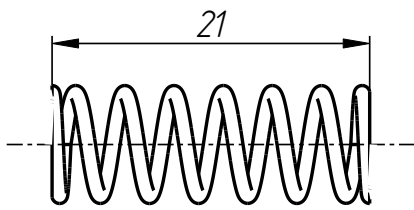


Bushing
MPL-401-003-002

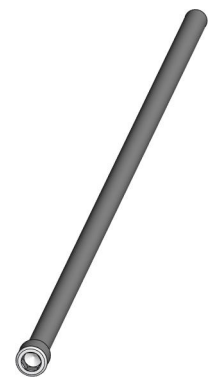
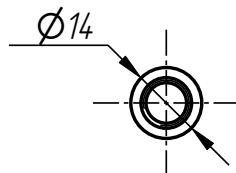
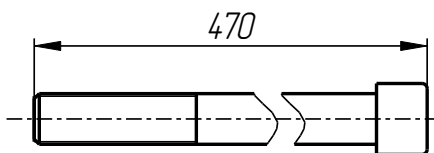
MPL-401-002



Plug
MPL-401-002-006



Spring
MPL-401-002-007

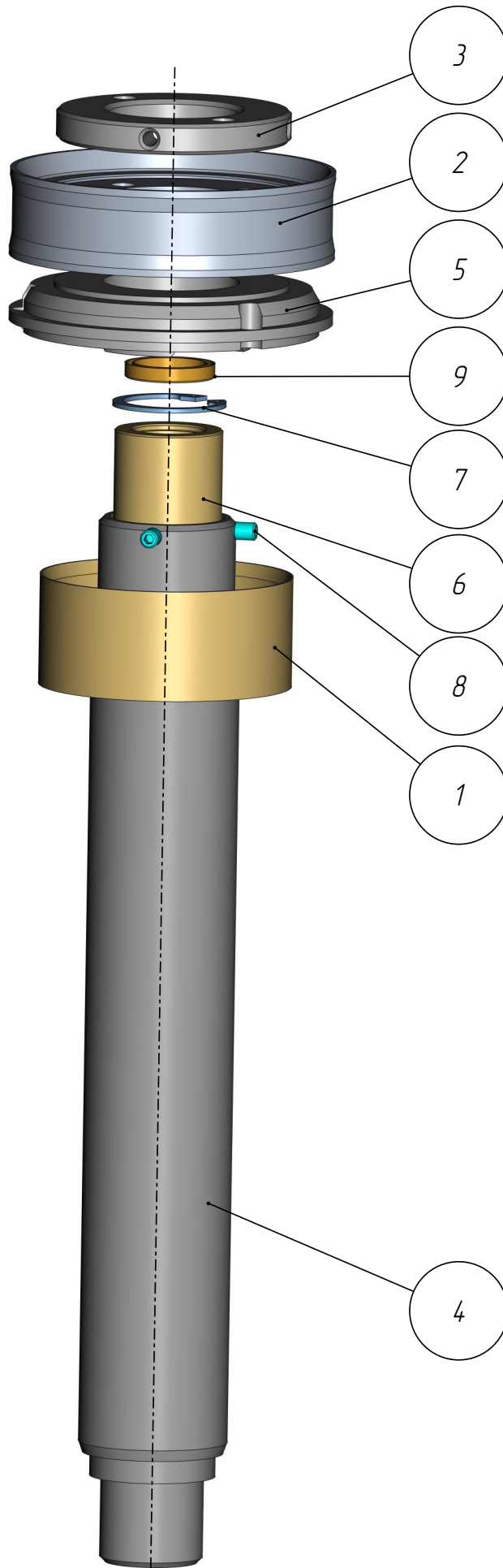


Screw
MPL-401-003-004

MPL-401-002

Piston assembly
MPL-401-002-003

401



8 - 14

MPL-401-002-003

Piston assembly

Specification

<i>N° pos.</i>	<i>Code</i>	<i>Name</i>	<i>Qty</i>
----------------	-------------	-------------	------------

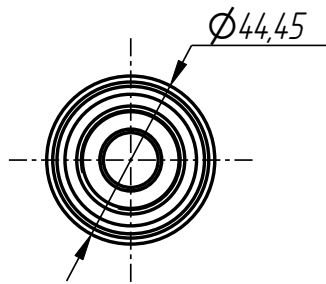
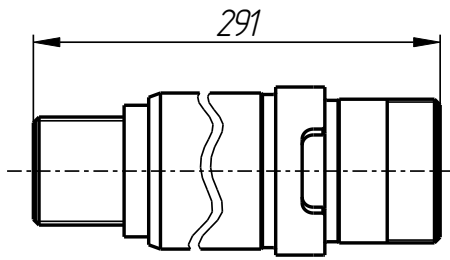
Сборочные единицы:

Parts:

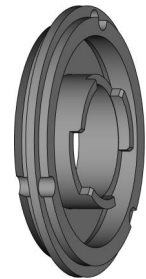
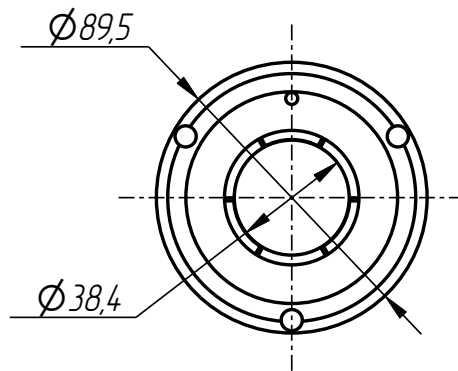
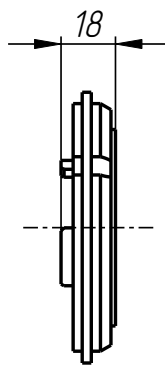
1	MPL-401-001-009	Bushing	1
2	MPL-401-001-010	Piston	1
3	MPL-401-001-011	Ring	1
4	MPL-401-003-003-001	Stock	1
5	MPL-401-003-003-002	Space plate	1
6	MPL-401-003-003-003	Bushing	1

Standard parts:

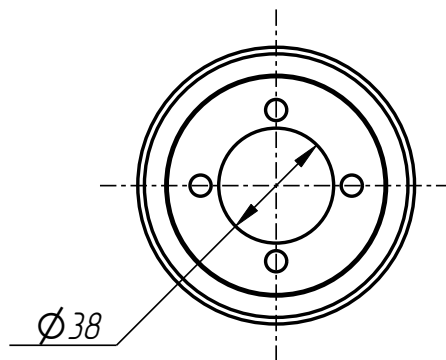
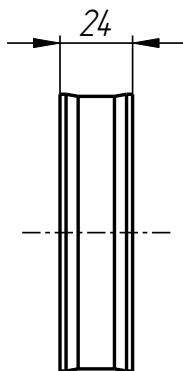
7	Locking Ring ϕ 30 DIN 472		1
8	Screw M5x8 GOST 8878-93		2
9	Sealing 20254		1



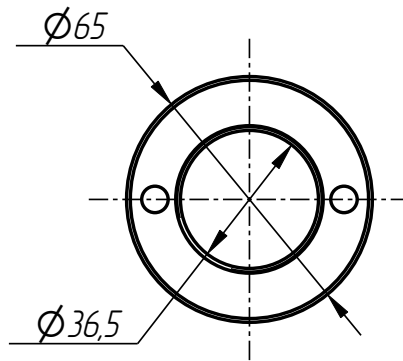
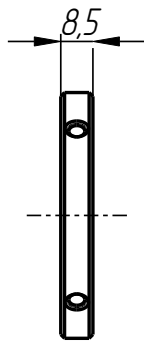
Stock
MPL-401-003-003-001



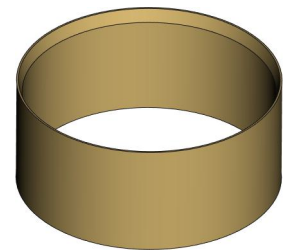
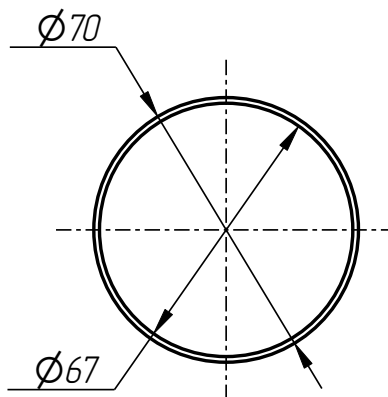
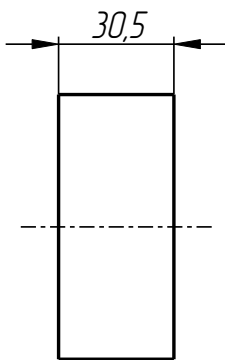
Space plate
MPL-401-003-003-002



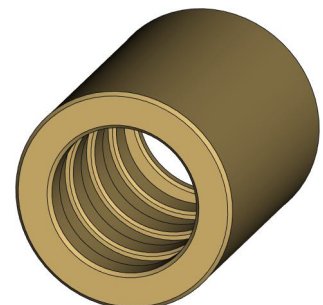
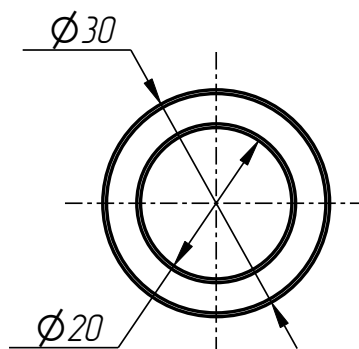
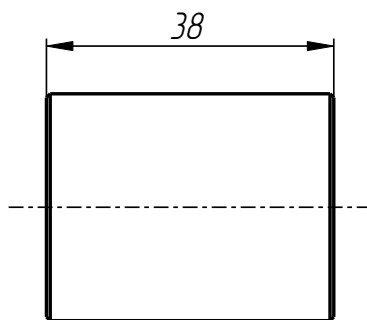
Piston
MPL-401-001-010



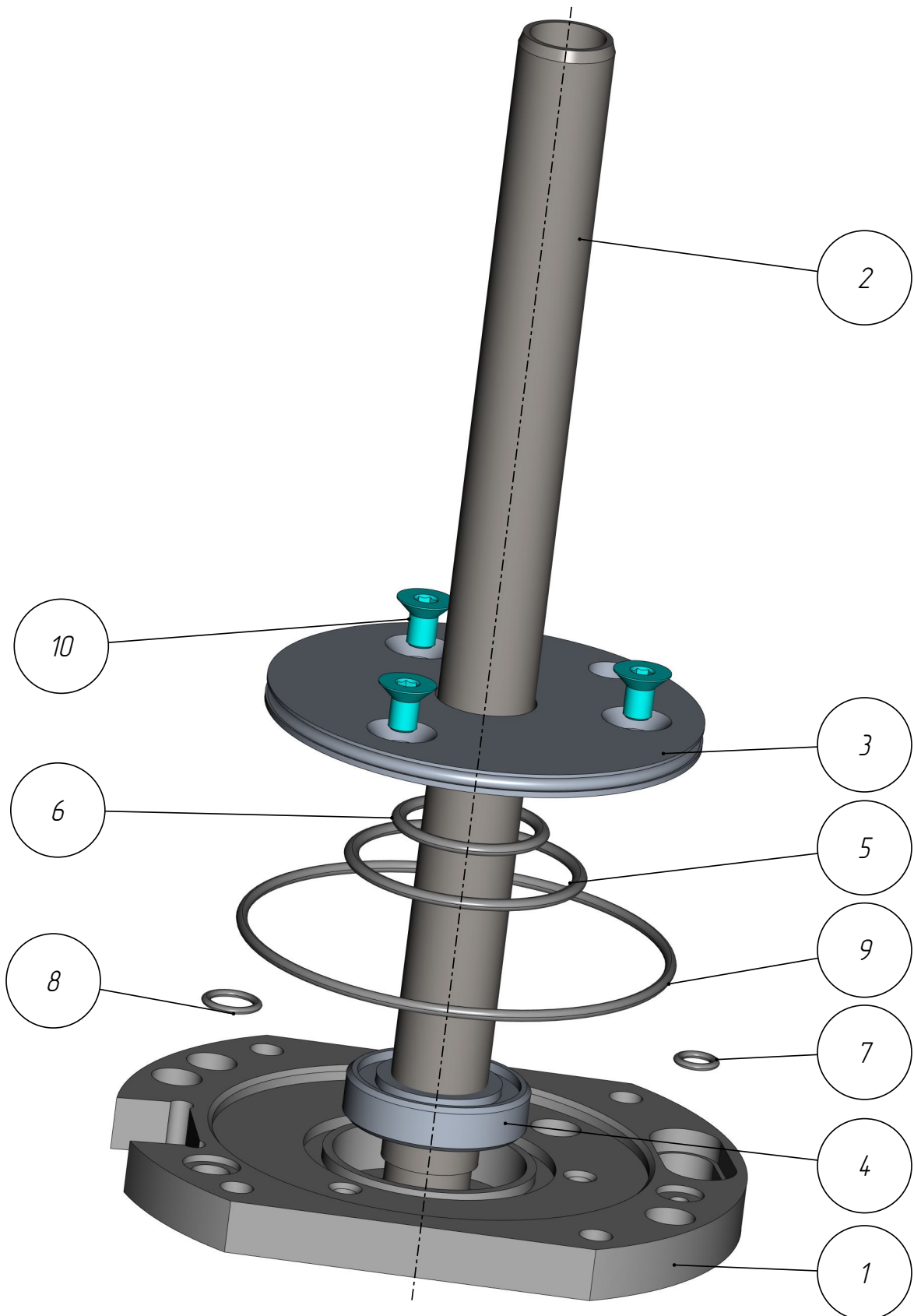
Ring
MPL-401-001-011



Bushing
MPL-401-001-009



Bushing
MPL-401-003-003-003



MPL-401-001-005

MPL-401-001-005

Cap assembly

Specification

<i>Nº pos.</i>	<i>Code</i>	<i>Name</i>	<i>Qty</i>
----------------	-------------	-------------	------------

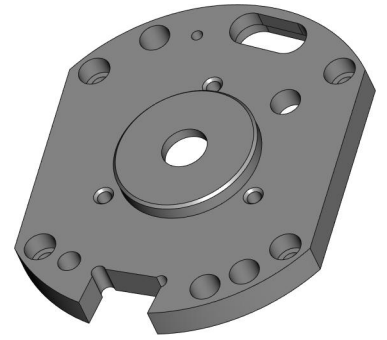
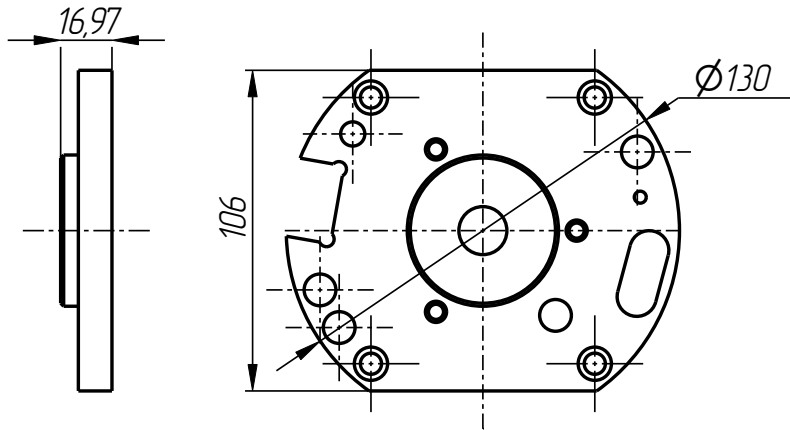
Сборочные единицы:

Parts:

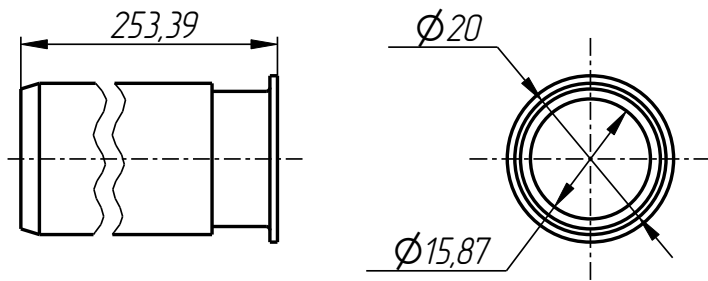
1	MPL-401-001-005-001	Cap	1
2	MPL-401-001-005-002	Stock	1
3	MPL-401-001-005-003	Washer	1
4	MPL-401-001-005-004	Ring	1

Standard parts:

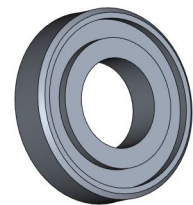
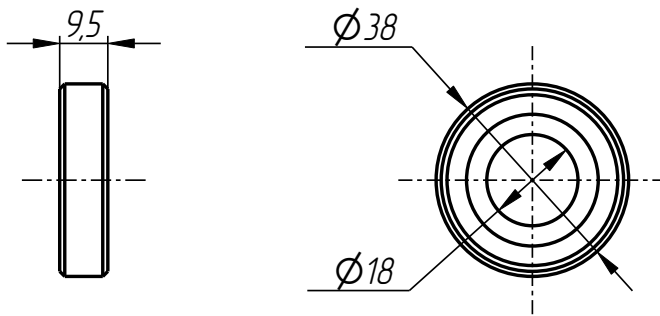
5	Ring 445030	1
6	Ring 26.532.537	1
7	Ring 5.79.51.90	1
8	Ring 8.712.51.97	1
9	Ring 83.588.52.57	1
10	Screw M6x10 DIN 7991	3



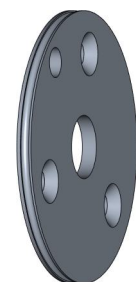
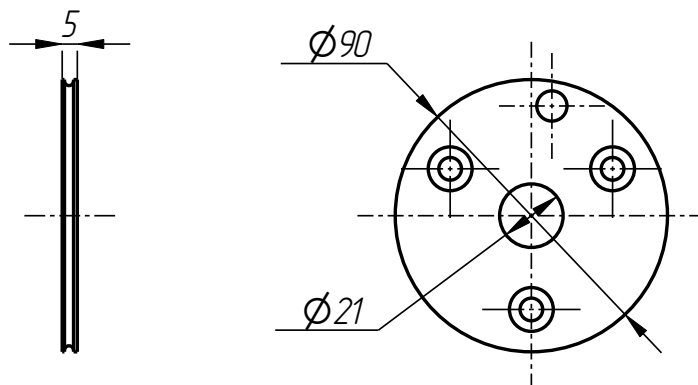
Cap
MPL-401-001-005-001



Stock
MPL-401-001-005-002



Ring
MPL-401-001-005-004



Washer
MPL-401-001-005-003

MPL-401-001-005