

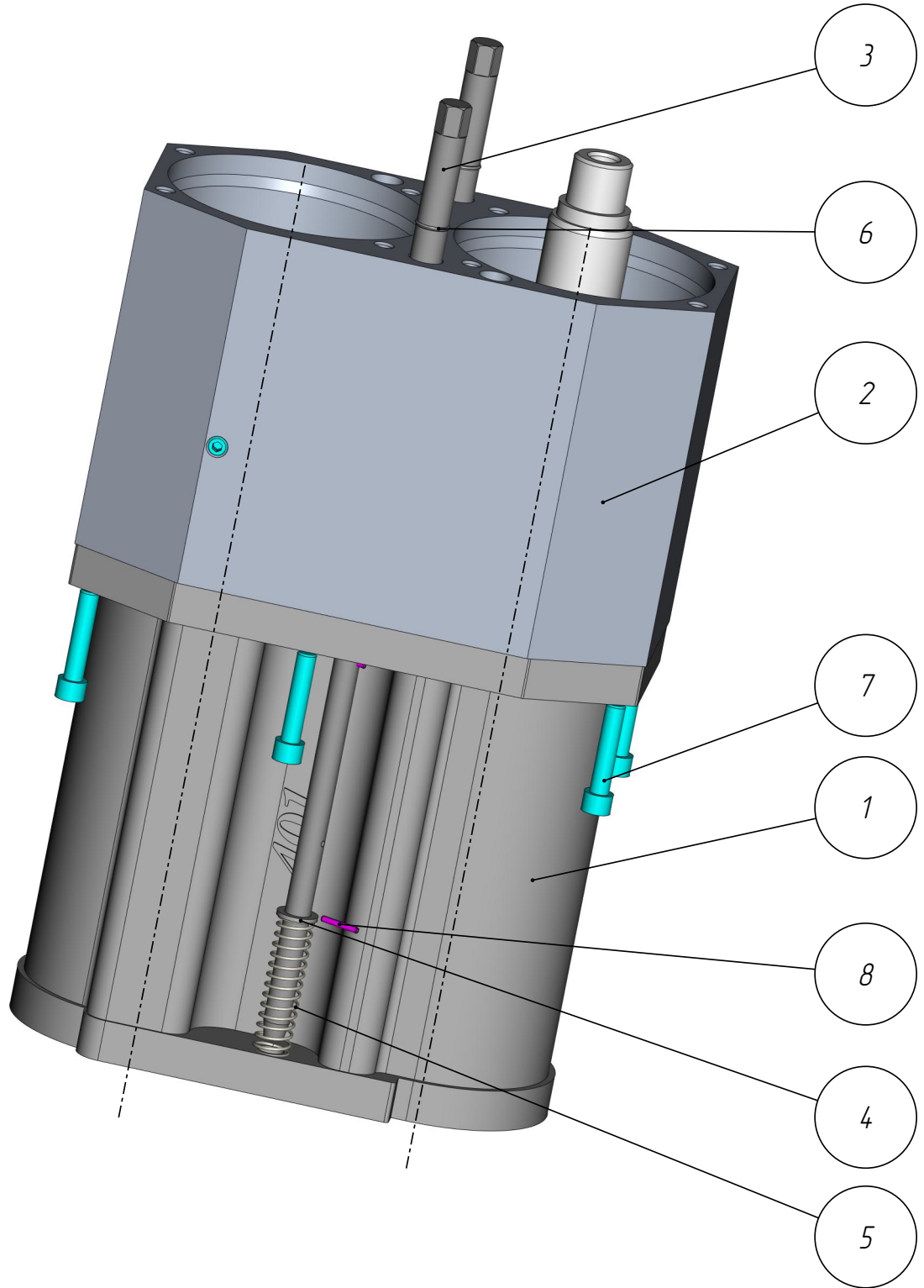
401

MPL-401-002

*Plunger mechanism
(P-B962-3058M7M-401)*

Plunger mechanism
(P-B962-3058M7M-401)
MPL-401-002

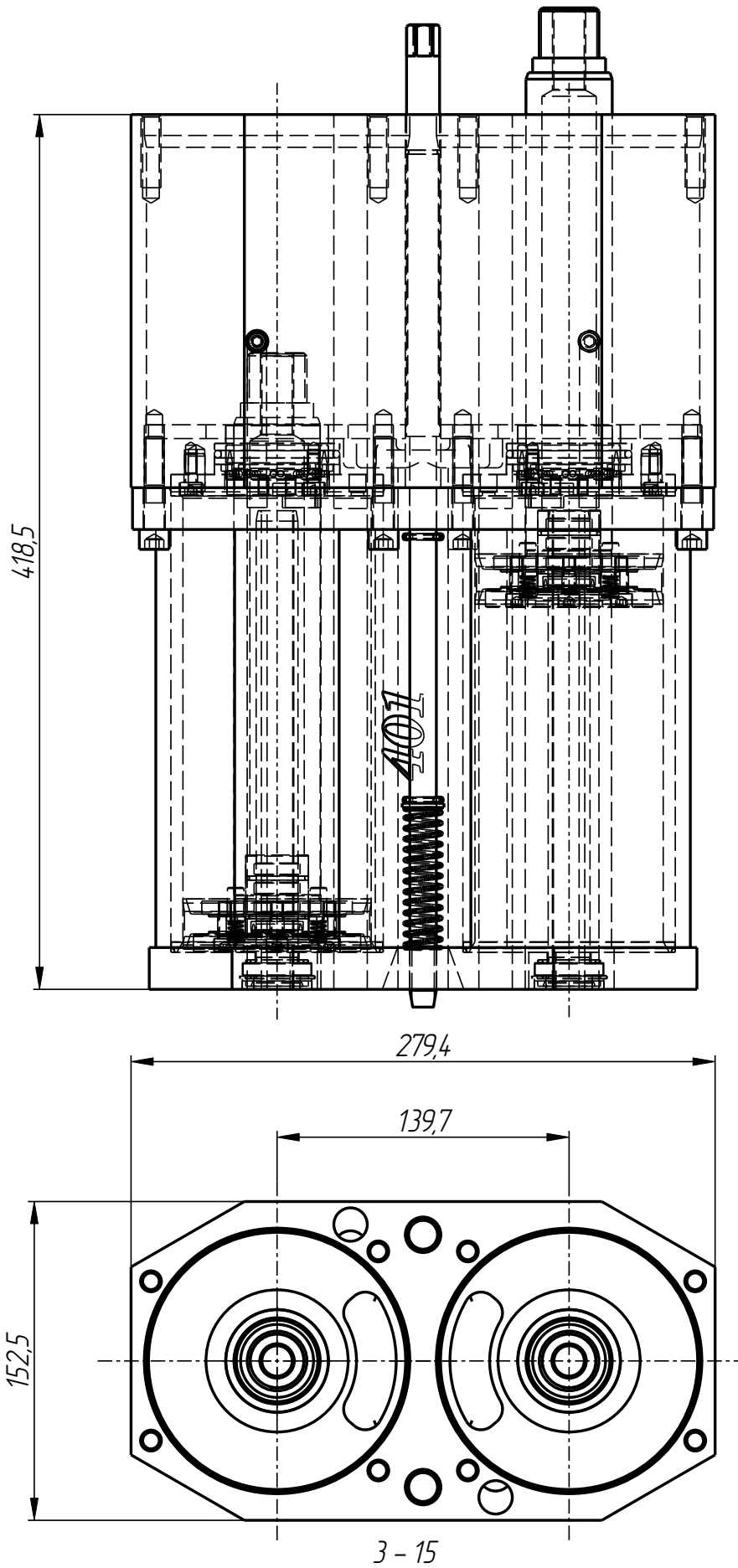
401



MPL-401-002

Plunger mechanism
(P-B962-3058M7M-401)
MPL-401-002

401



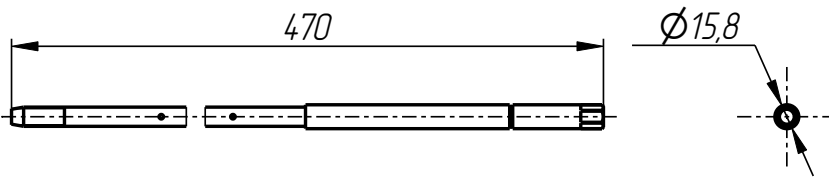
MPL-401-002

MPL-401-002

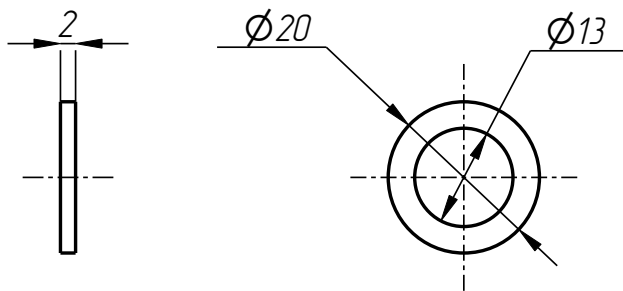
Plunger mechanism
(P-B962-3058M7M-401)

Specification

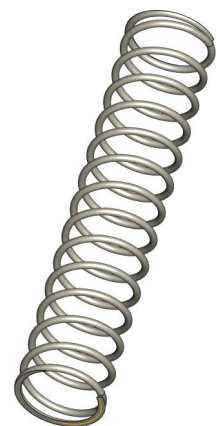
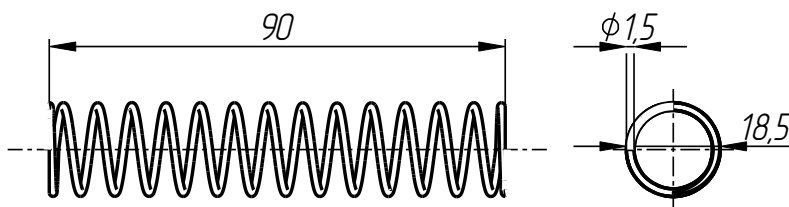
<i>N° pos.</i>	<i>Code</i>	<i>Name</i>	<i>Qty</i>
<i>Сборочные единицы:</i>			
1	MPL-401-002-001	Lower block	1
2	MPL-401-002-002	Upper block	1
<i>Parts:</i>			
3	MPL-401-002-003	Screw	2
4	MPL-401-002-004	Washer	2
5	MPL-401-002-005	Spring	2
<i>Standard parts:</i>			
6	Ring 13.617.41.97		2
7	Screw UNC3/8"-16x1 3/4" DIN 912		6
8	Spring pin ϕ 3x20 DIN 1481		4



Screw
MPL-401-002-003



Washer
MPL-401-002-004

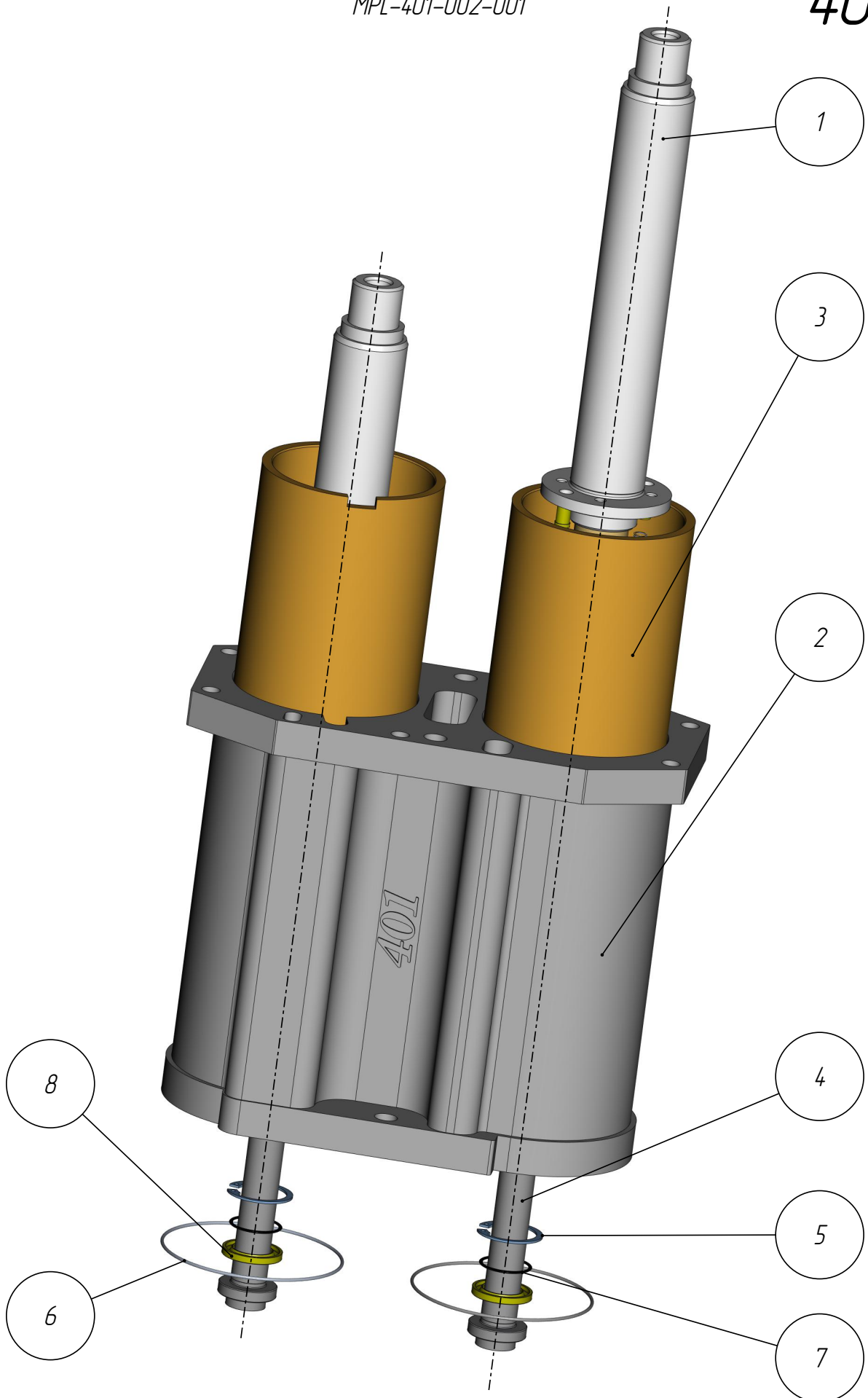


Spring
MPL-401-002-005

MPL-401-002

Lower block
MPL-401-002-001

401



MPL-401-002-001

MPL-401-002-001

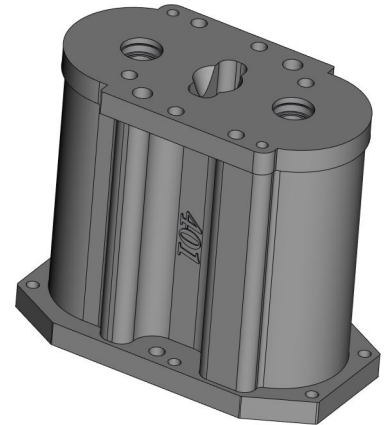
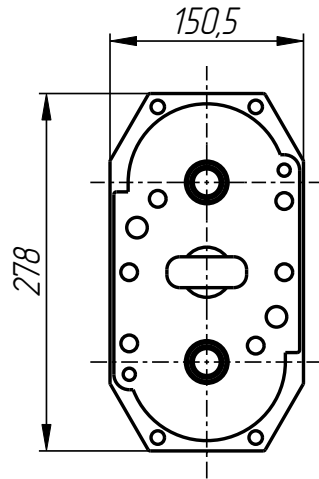
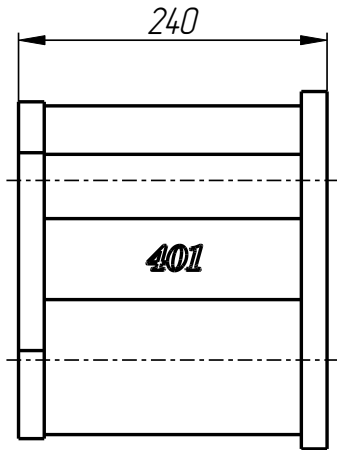
Lower block

Specification

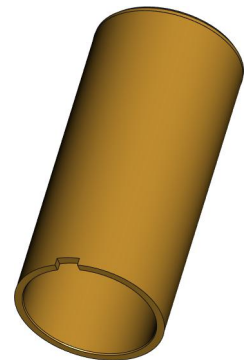
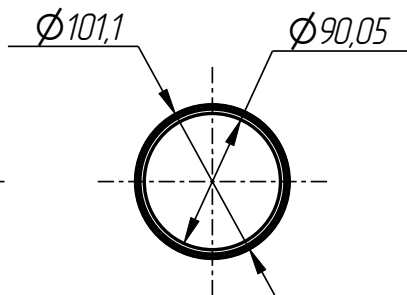
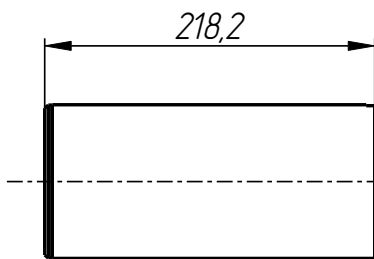
<i>N° pos.</i>	<i>Code</i>	<i>Name</i>	<i>Qty</i>
<i>Сборочные единицы:</i>			
1	MPL-401-002-001-004	Piston rod	2
<i>Parts:</i>			
2	MPL-401-002-001-001	Main body	1
3	MPL-401-002-001-002	Bushing	2
4	MPL-401-002-001-003	Cooling rod	2
<i>Standard parts:</i>			
5	Locking Ring $\phi 15$ GOST 13943-86		2
6	O-98.051.78		2
7	Ring 25.529.31.97		2
8	Sealing 2233.54.0		2

Lower block
MPL-401-002-001

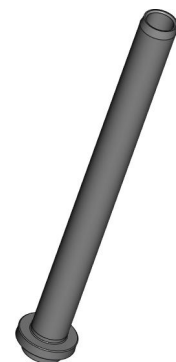
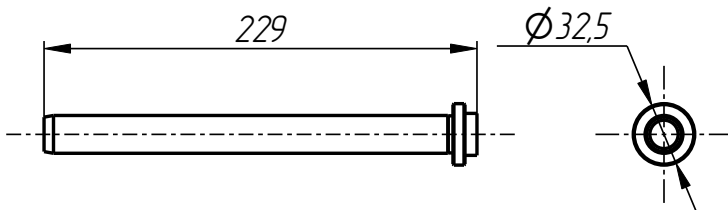
401



Main body
MPL-401-002-001-001



Bushing
MPL-401-002-001-002

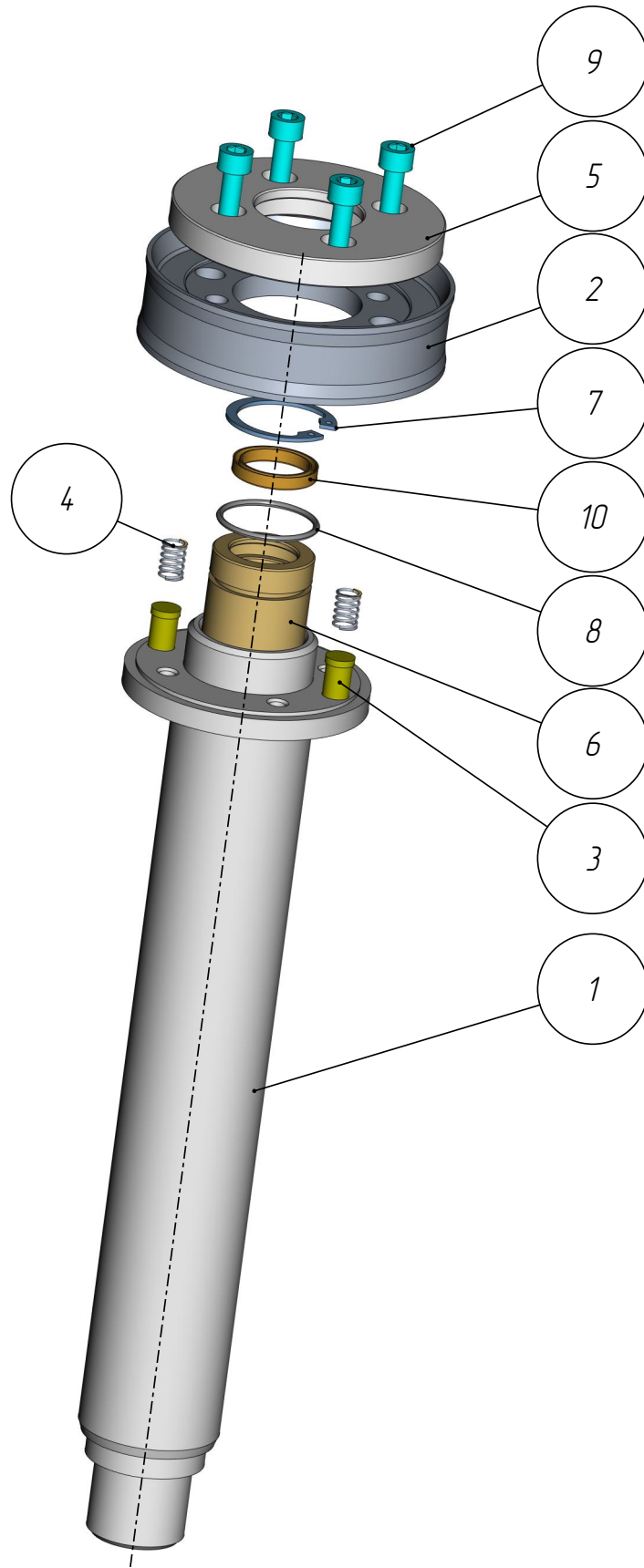


Cooling rod
MPL-401-002-001-003

MPL-401-002-001

Piston rod
MPL-401-002-001-004

401



MPL-401-002-001-004

MPL-401-002-001-004

Piston rod

Specification

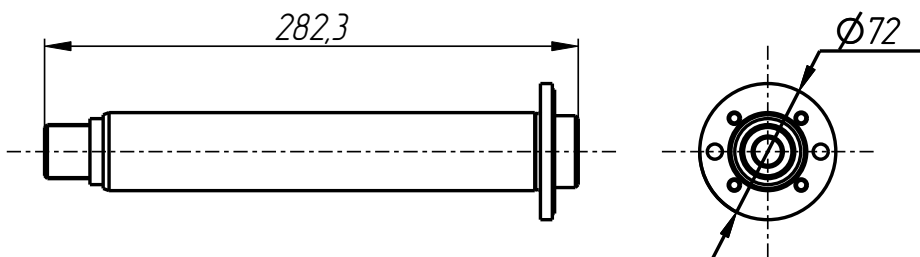
<i>Nº pos.</i>	<i>Code</i>	<i>Name</i>	<i>Qty</i>
<i>Parts:</i>			
1	MPL-401-002-001-004-001	Rod	1
2	MPL-401-002-001-004-002	Piston	1
3	MPL-401-002-001-004-003	Plug	2
4	MPL-401-002-001-004-004	Spring	2
5	MPL-401-002-001-004-005	Flange	1
6	MPL-401-002-001-004-006	Bushing	1

Standard parts:

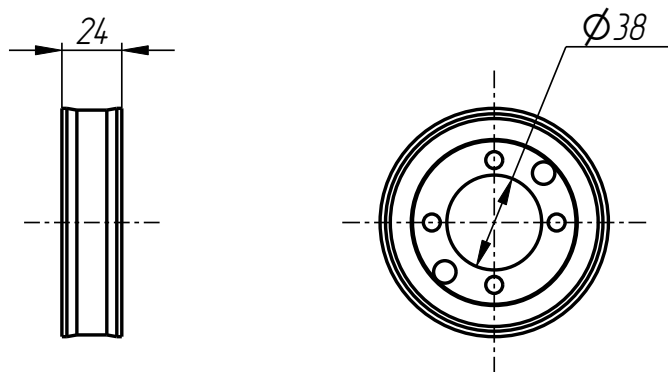
7	Locking Ring ϕ 30 GOST 13943-86	1
8	Ring 24.528.31.97	2
9	Screw M6x18 DIN 912	4
10	Sealing 20254	1

Piston rod
MPL-401-002-001-004

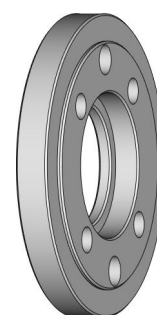
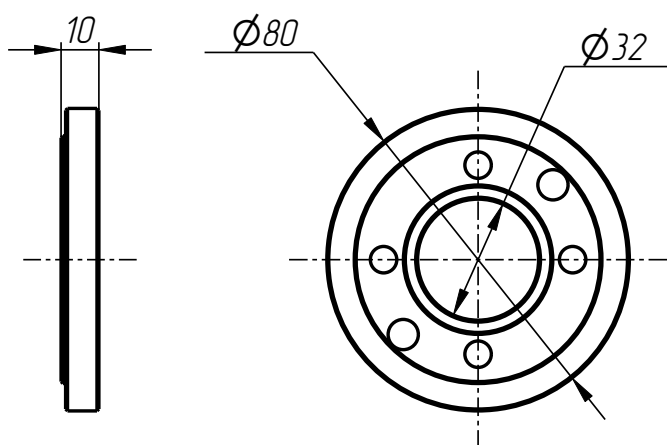
401



Rod
MPL-401-002-001-004-001

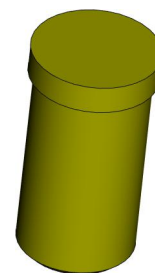
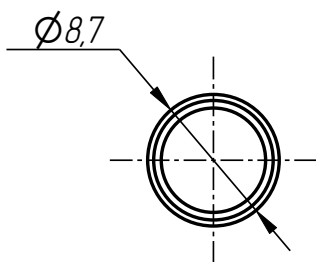
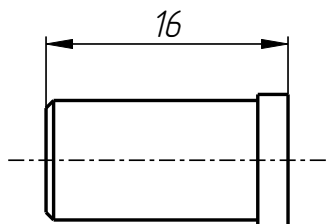


Piston
MPL-401-002-001-004-002



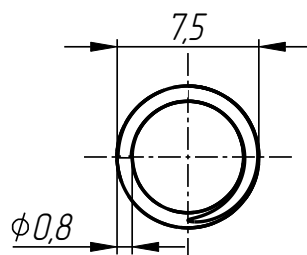
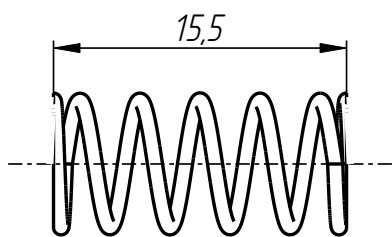
Flange
MPL-401-002-001-004-005

MPL-401-002-001-004



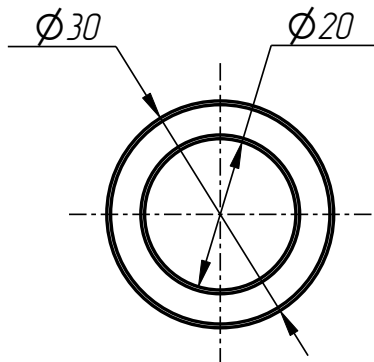
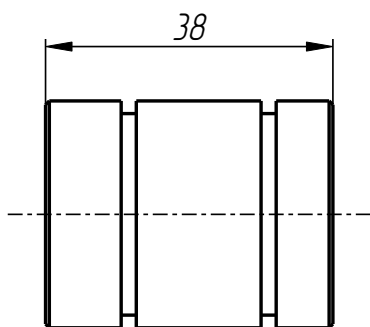
Plug

MPL-401-002-001-004-003



Spring

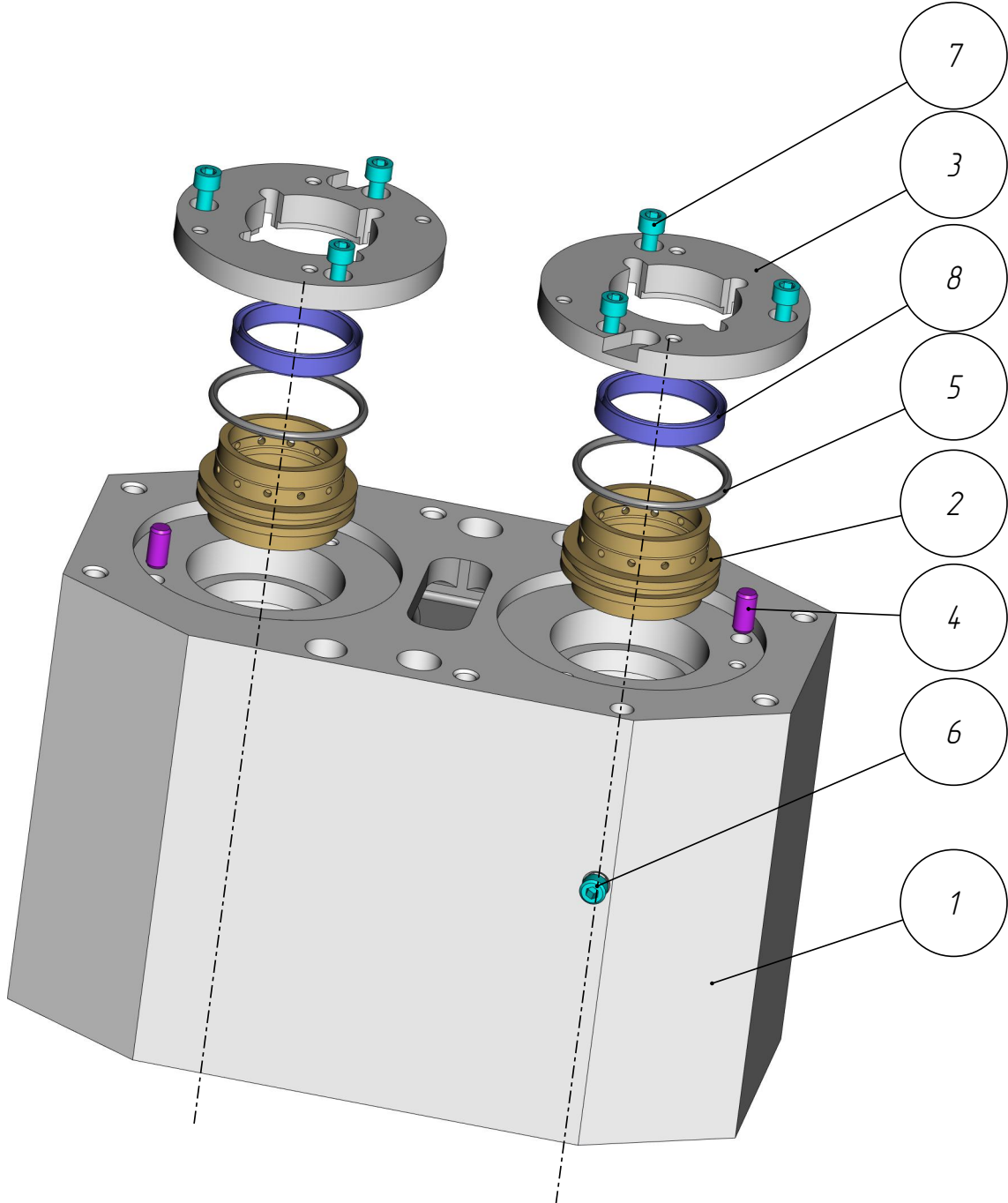
MPL-401-002-001-004-004



Bushing

MPL-401-002-001-004-006

MPL-401-002-001-004



MPL-401-002-002

MPL-401-002-002

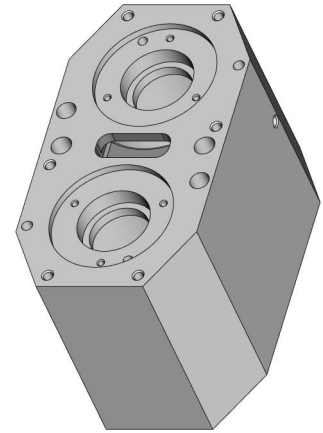
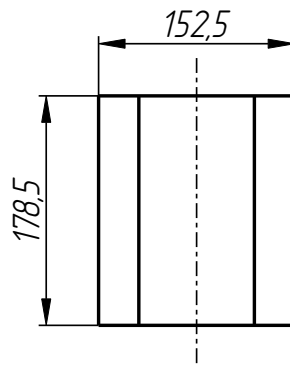
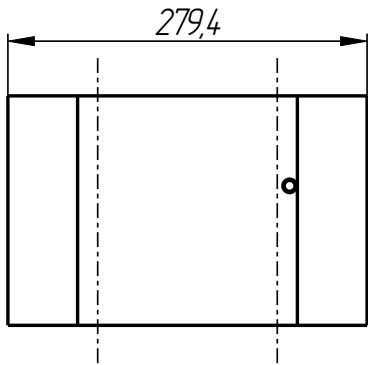
Upper block

Specification

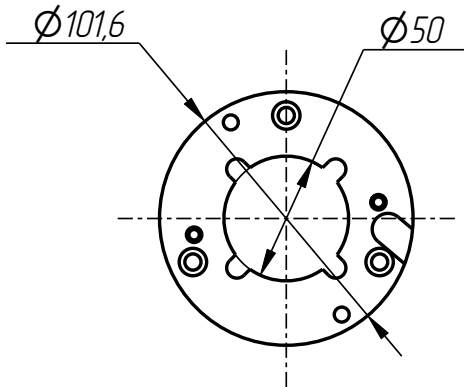
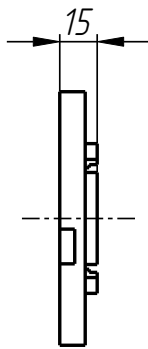
<i>Nº pos.</i>	<i>Code</i>	<i>Name</i>	<i>Qty</i>
<i>Parts:</i>			
1	MPL-401-002-002-001	Main body	1
2	MPL-401-002-002-002	Bushing	2
3	MPL-401-002-002-003	Flange	2
<i>Standard parts:</i>			
4	Pin 8Гx16 GOST 3128-70		2
5	Ring 5158.23.67		2
6	Screw M10x8 GOST 11074-93		2
7	Screw M6x14 DIN 912		6
8	Sealing 41.27498		2

Upper block
MPL-401-002-002

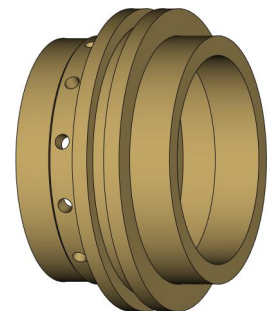
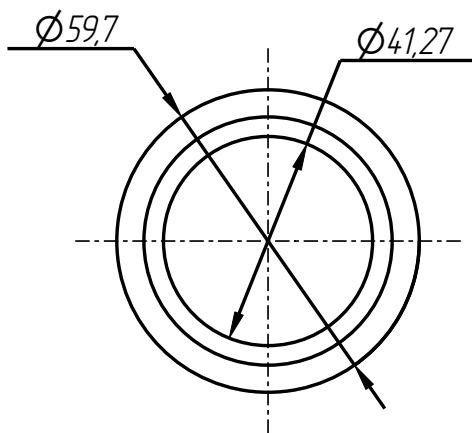
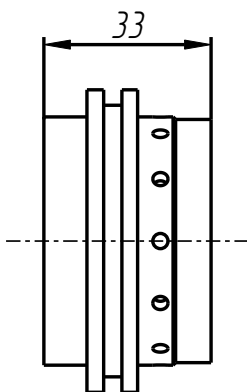
401



Main body
MPL-401-002-002-001



Flange
MPL-401-002-002-003



Bushing
MPL-401-002-002-002

MPL-401-002-002