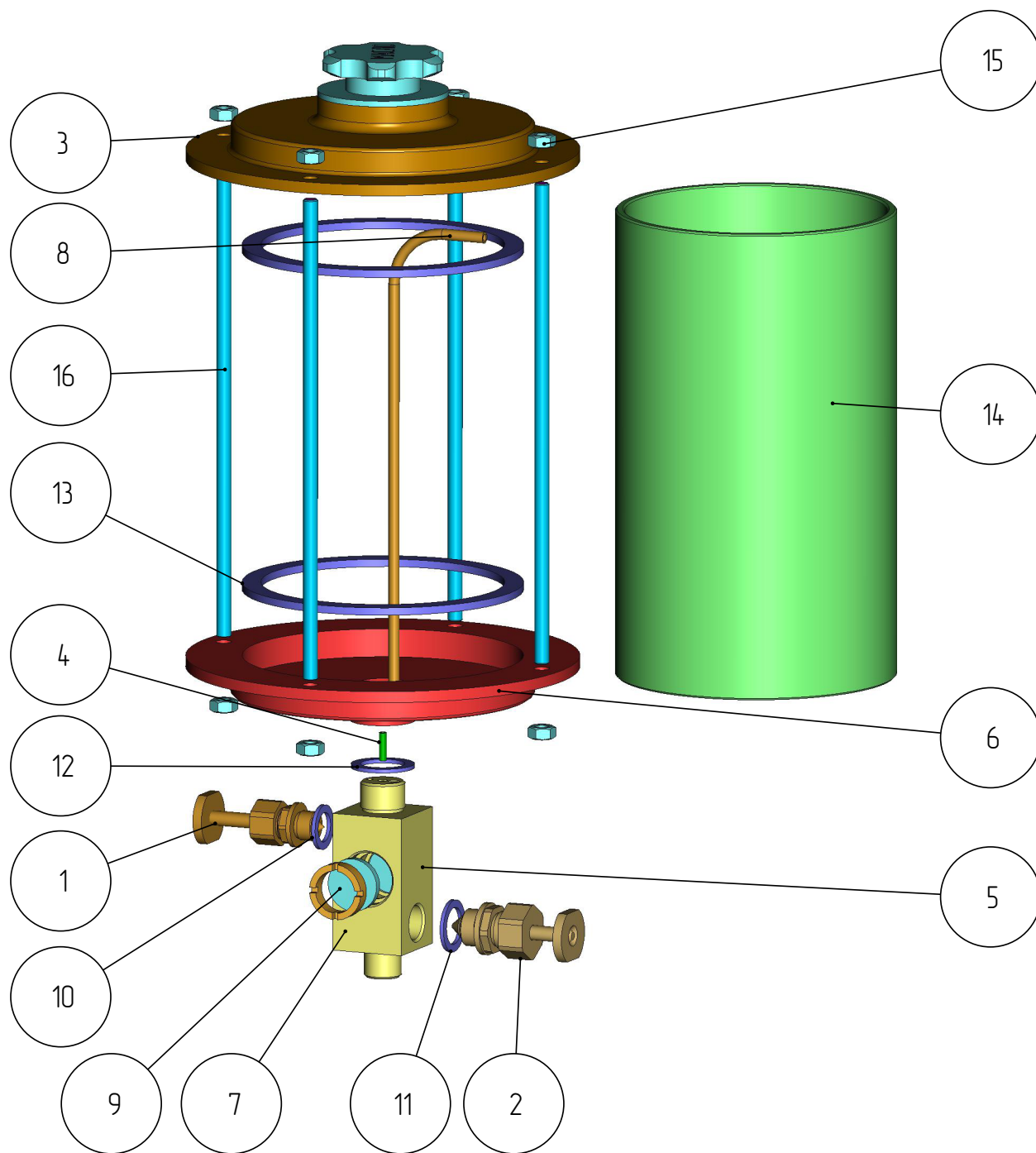


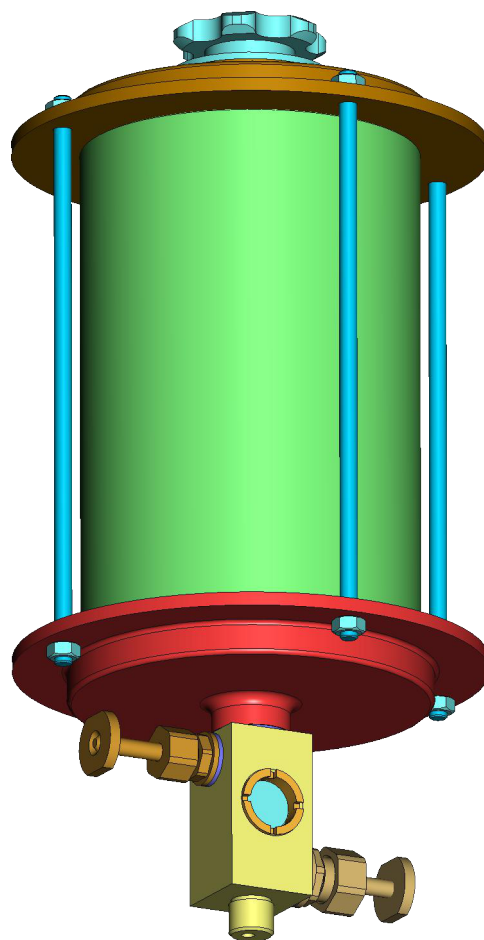
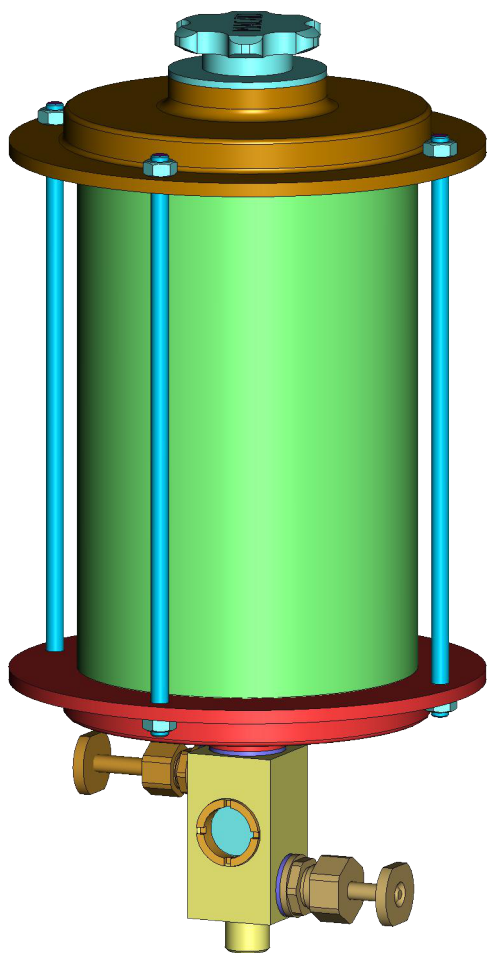
401

CK-401_200_600_103
LUBRICĂTOR
(CK-200_600_103)

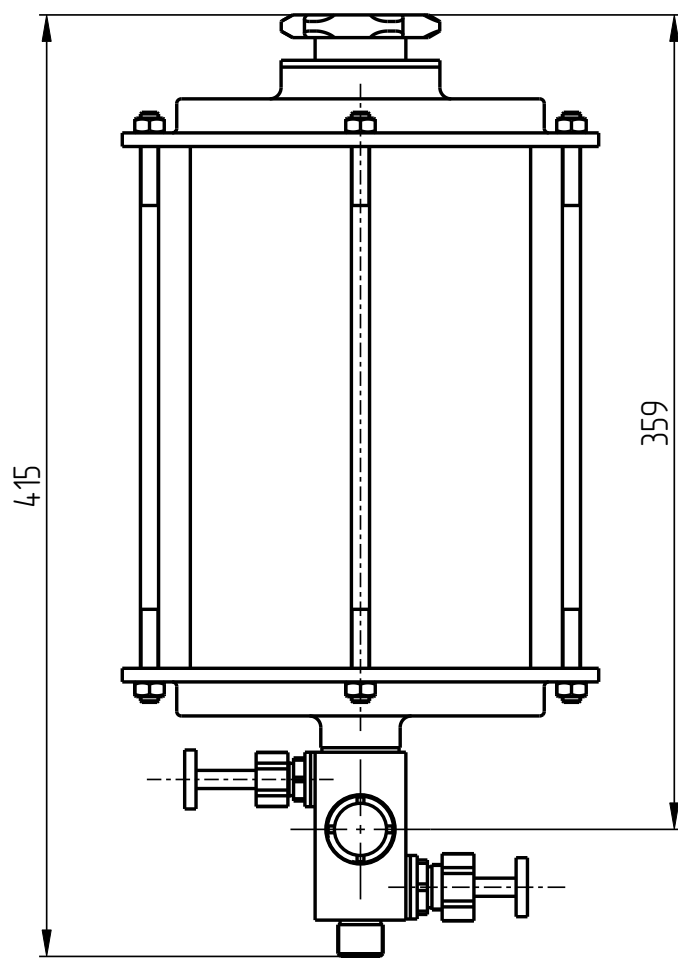
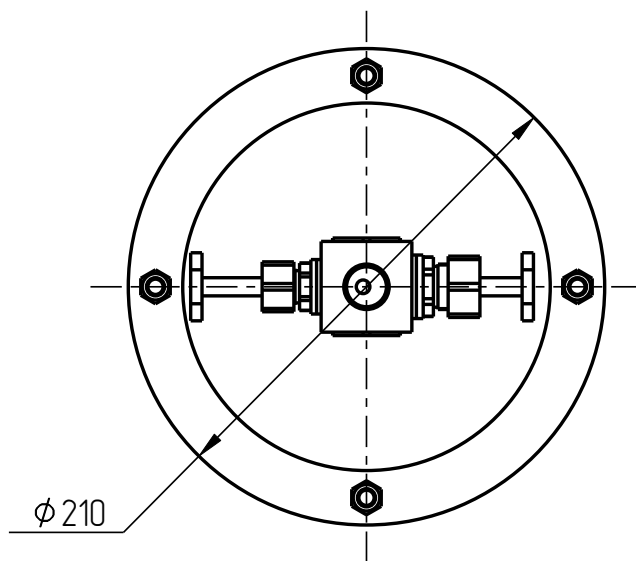
Lubricator CK-401_200_600_103



Lubricator CK-401_200_600_103



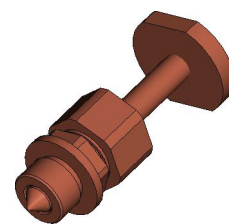
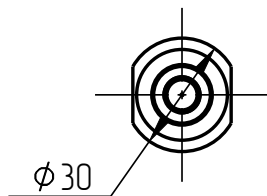
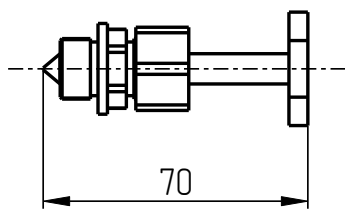
Lubricator CK-401_200_600_103



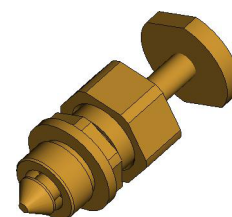
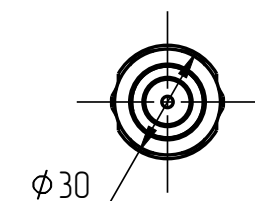
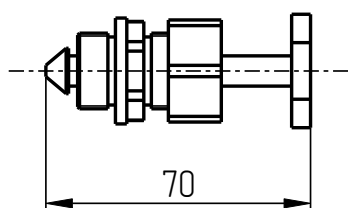
Lubricator CK-401_200_600_103 Specification

№ pos	Code	Name	Qty
Assemblies			
1	CK-401_200_600_104	Valve	1
2	CK-401_200_600_105	Valve	1
3	CK-401_200_600_108-A-SB	Top cap	1
Детали			
4	CK-401_200_600_106	Bushing	1
5	CK-401_200_600_107	Nut	2
6	CK-401_200_600_108	Bottom cap	1
7	CK-401_200_600_110	Mixer	1
8	CK-401_200_600_111-M1	Tube	1
9	CK-401_200_600_112	Window	2
10	CK-401_200_600_113	Washer	1
11	CK-401_200_600_114	Washer	1
12	CK-401_200_600_115	Washer	1
13	CK-401_200_600_116	Washer	2
14	CK-401_200_600_117	Tube	1
Standard parts			
15	Nut M8 DIN 934		8
16	Threaded pin M8X260 DIN 938		4

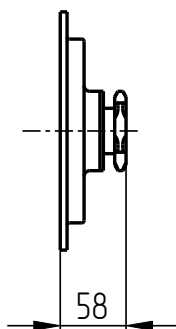
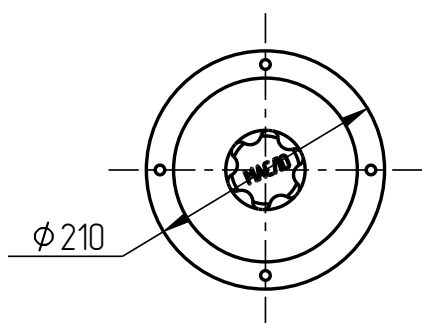
401



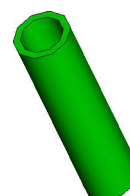
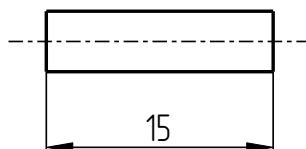
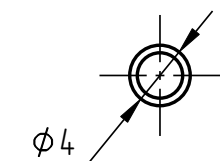
1. Valve
CK-401_200_600_104



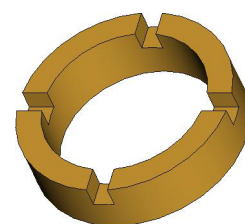
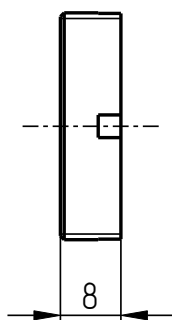
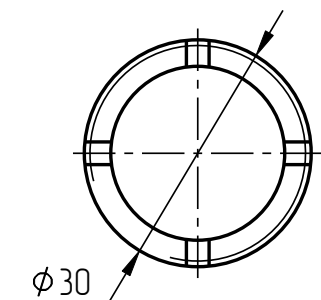
2. Valve
CK-401_200_600_105



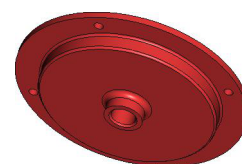
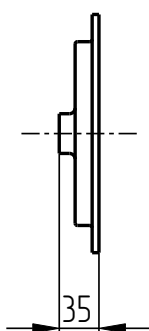
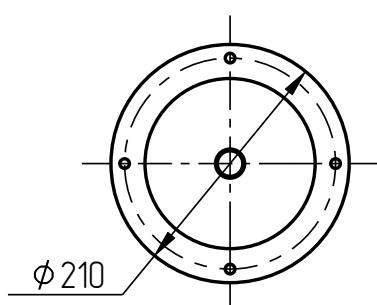
3. Top cap
CK-401_200_600_108-A-SB



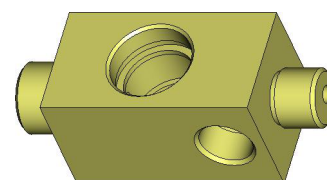
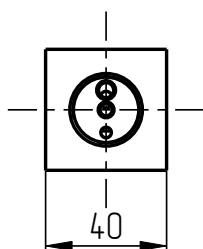
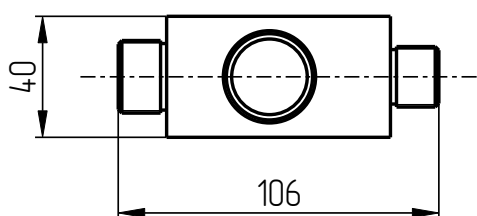
4. Bushing
CK-401_200_600_106



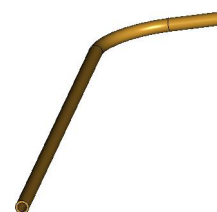
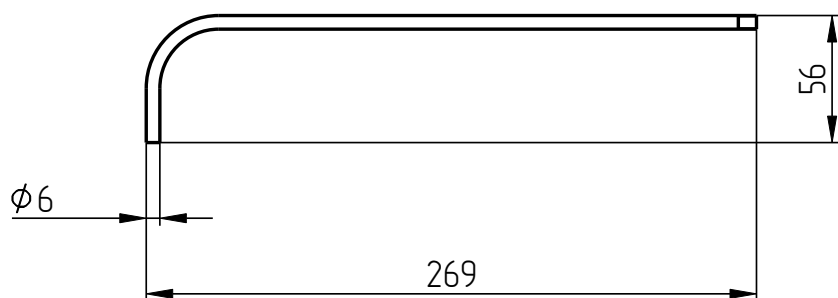
5. Nut
CK-401_200_600_107



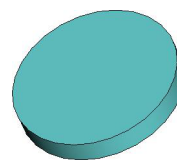
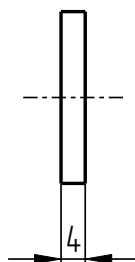
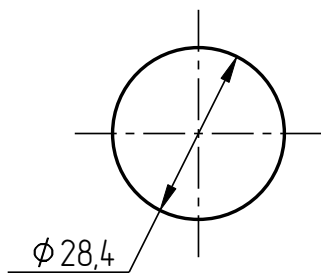
6. Bottom cap
CK_200_600_108



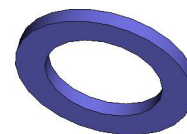
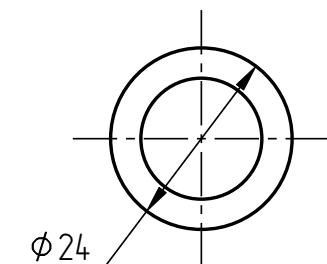
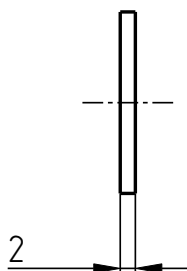
7. Mixer
CK-401_200_600_110



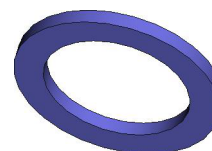
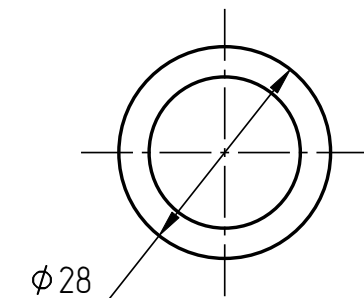
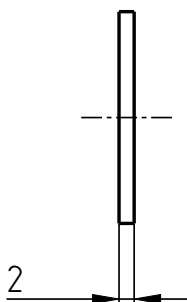
8. Tube
CK-401_200_600_111-M1



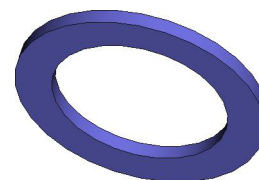
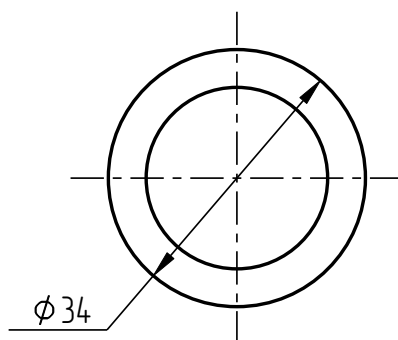
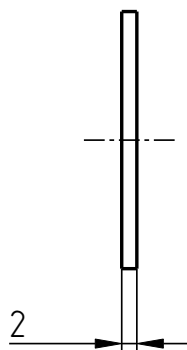
9. Window
CK-401_200_600_112



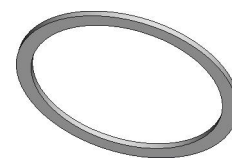
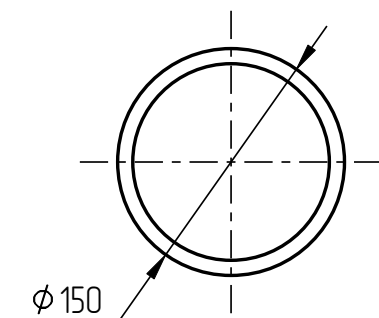
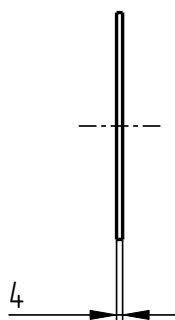
10. Washer
CK-401_200_600_113



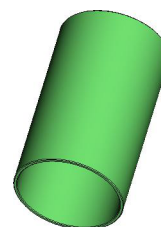
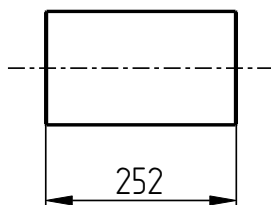
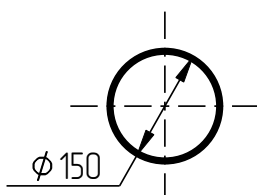
11. Washer
CK-401_200_600_114



12. Washer
CK-401_200_600_115



13. Washer
CK-401_200_600_116



14. Tube
CK-401_200_600_117