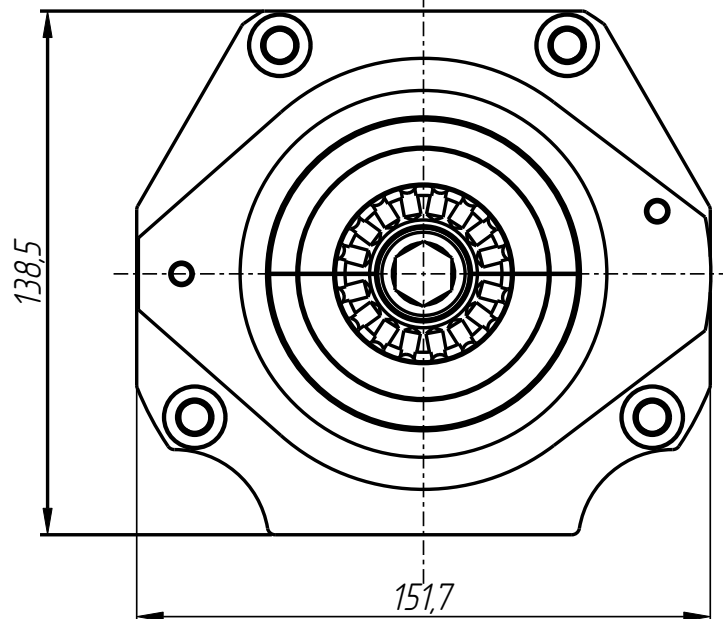
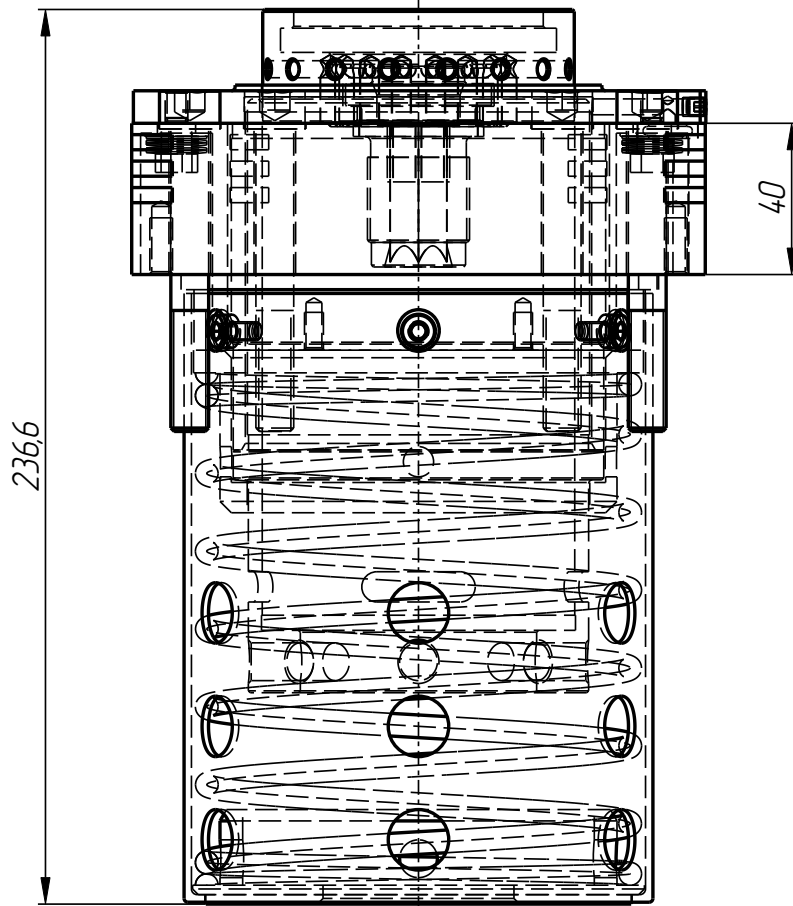


401

*Cartridge /
Plunger Positioner 90
(A57-1070-90)*

Cartridge /
Plunger Positioner 90
(A57-1070-90)
PPI-401-022

401



PPI-401-022

*Cartridge /
Plunger Positioner 90
(A57-1070-90)
PPl-401-022*

401

PPl-401-022

*Cartridge /
Plunger Positioner 90
(A57-1070-90)
Specification*

<i>Nº pos.</i>	<i>Code</i>	<i>Name</i>	<i>Qty</i>
----------------	-------------	-------------	------------

Parts:

1	PPl-401-020-001	Screw	2
2	PPl-401-020-002	Ring	1
3	PPl-401-020-003	Washer	2
4	PPl-401-020-009	Casing	1
5	PPl-401-020-010	Cap	1
6	PPl-401-020-012	Adapter	1
7	PPl-401-022-001	Bushing	1
8	PPl-401-022-002	Bushing	1
9	PPl-401-022-003	Washer	1
10	PPl-401-022-004	Spring retainer	1
11	PPl-401-022-005	Spring	1
12	PPl-401-022-006	Semi-ring	2

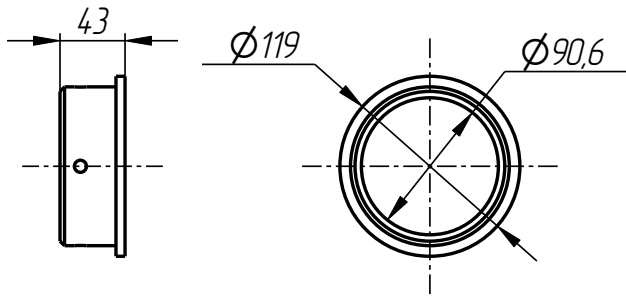
Standard parts:

13	Poppet spring M6 ГОСТ 3057-90	10
14	Screw M10x80 DIN 912	4
15	Screw M5x5 GOST 11074-93	1
16	Screw M5x8 DIN 912	6

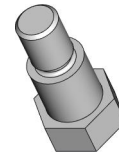
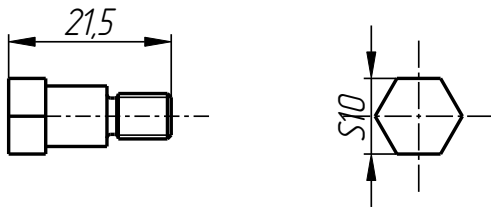
PPl-401-022

Cartridge /
Plunger Positioner 90
(A57-1070-90)
PPI-401-022

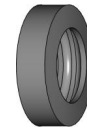
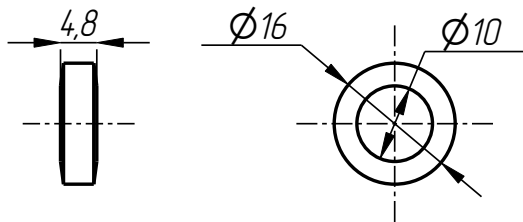
401



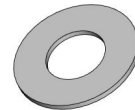
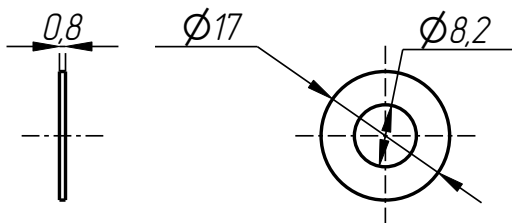
Washer
PPI-401-022-003



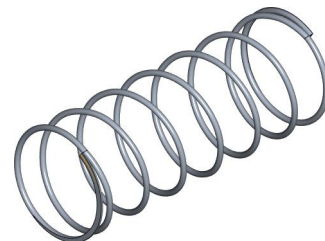
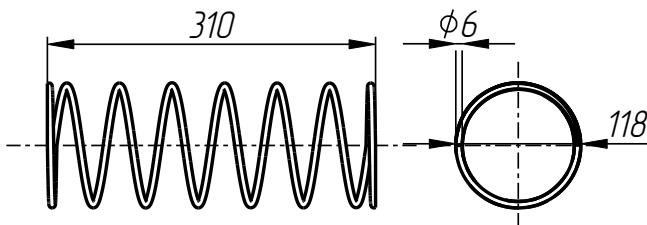
Screw
PPI-401-020-001



Ring
PPI-401-020-002



Washer
PPI-401-020-003

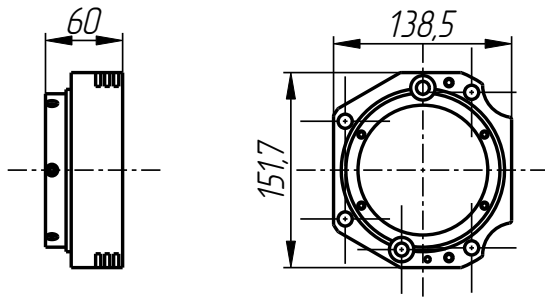


Spring
PPI-401-022-005

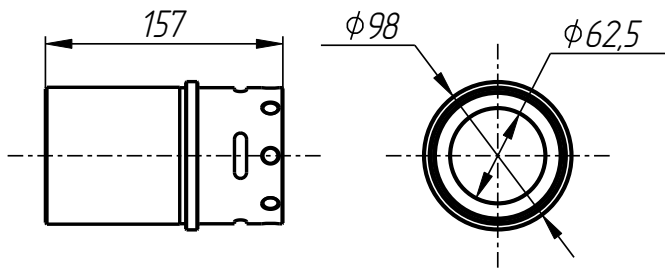
PPI-401-022

Cartridge /
Plunger Positioner 90
(A57-1070-90)
PPL-401-022

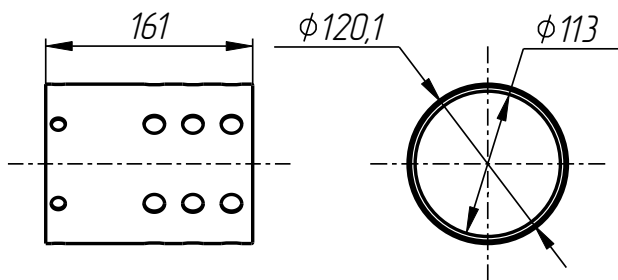
401



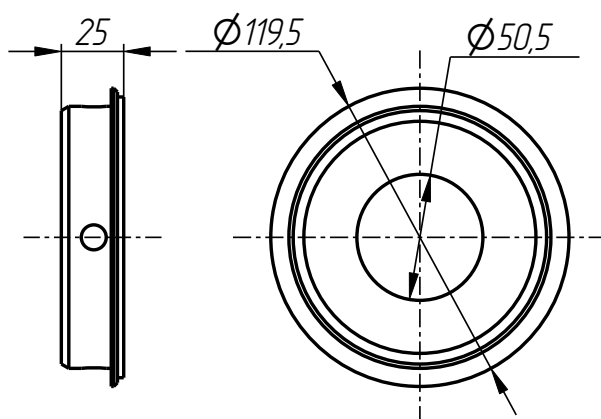
Cap
PPL-401-020-010



Bushing
PPL-401-022-002



Casing
PPL-401-020-009

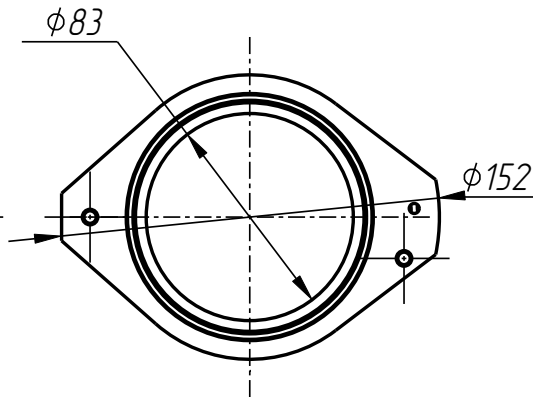
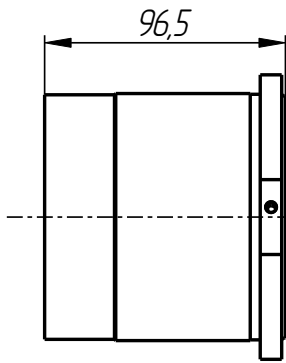


Spring retainer
PPL-401-022-004

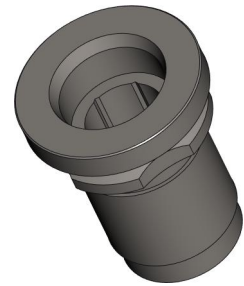
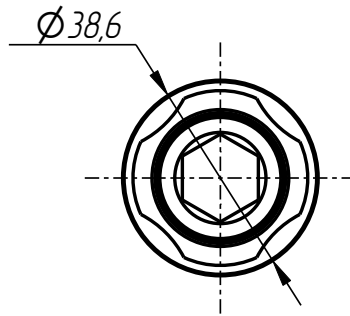
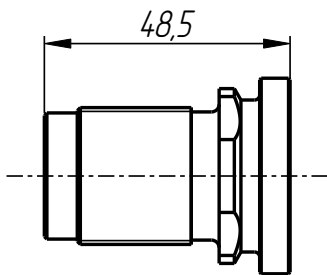
PPL-401-022

Cartridge /
Plunger Positioner 90
(A57-1070-90)
PPl-401-022

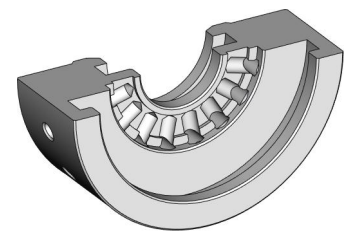
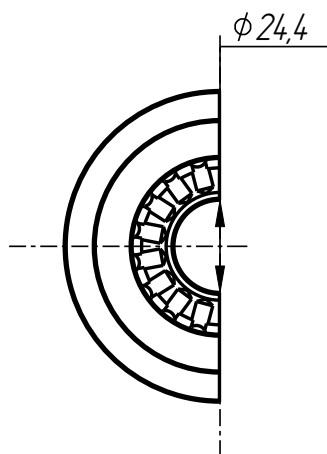
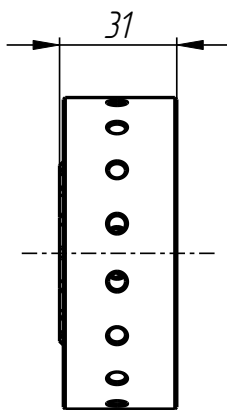
401



Bushing
PPl-401-022-001



Adapter
PPl-401-020-012



Semi-ring
PPl-401-022-006

PPl-401-022