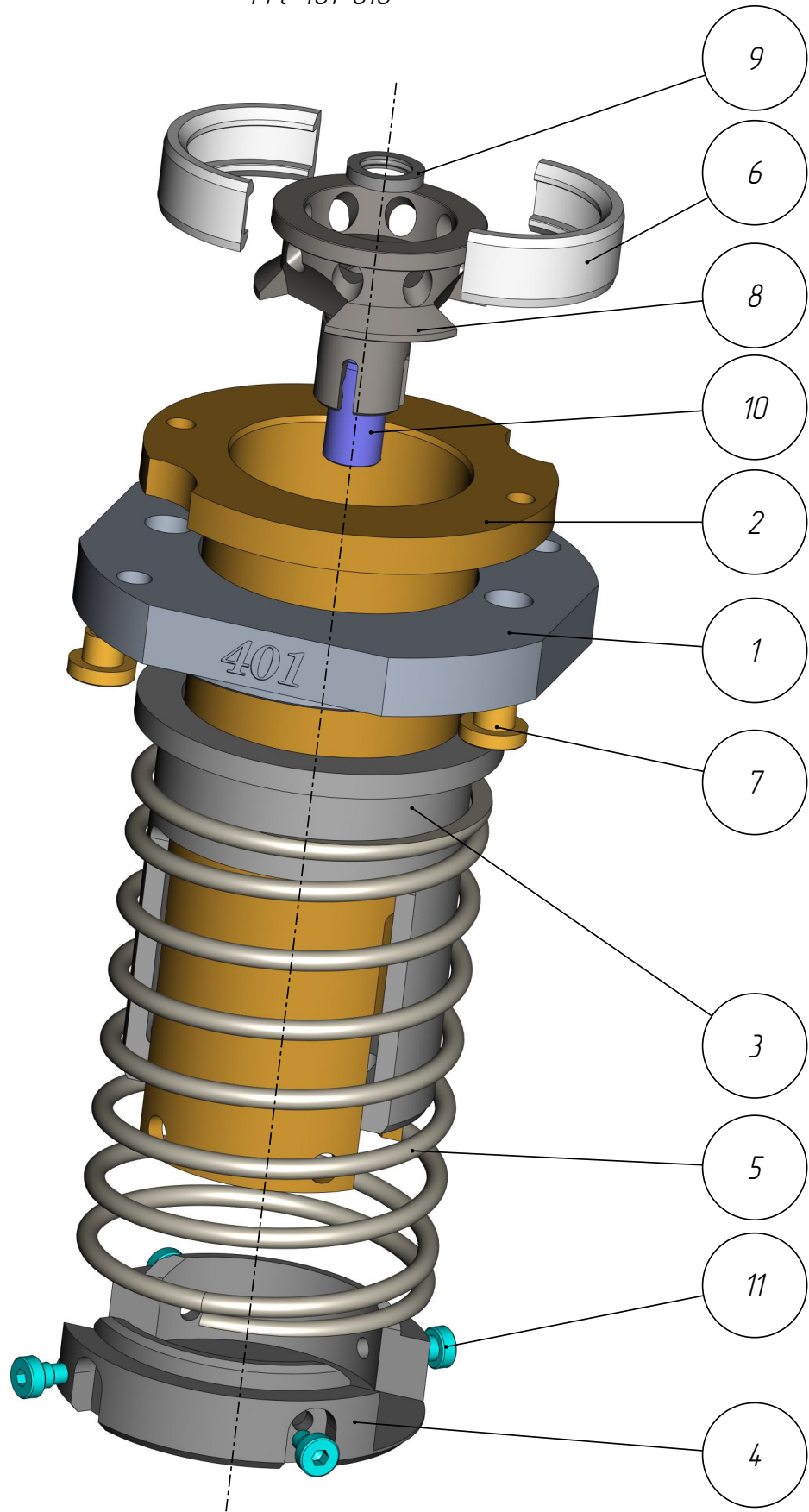


401

*Cartridge /
Plunger Positioner 83
(400-5080-1A)*

Cartridge /
Plunger Positioner 83
(400-5080-1A)
PPL-401-018

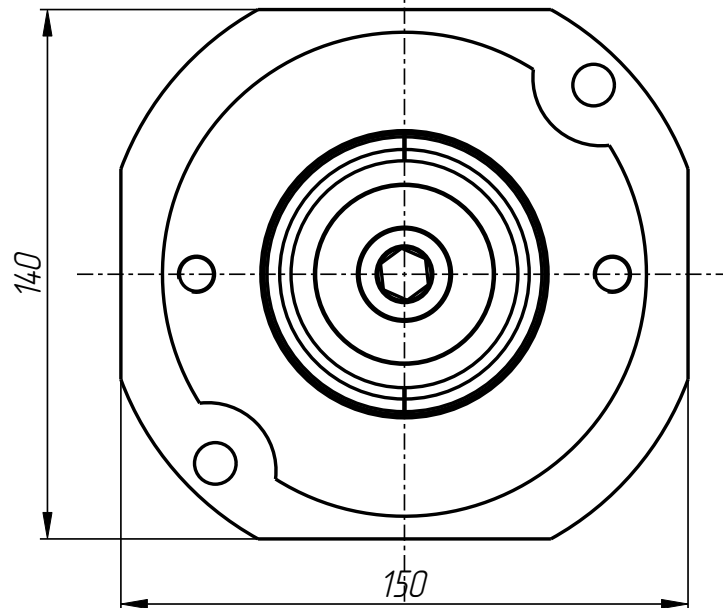
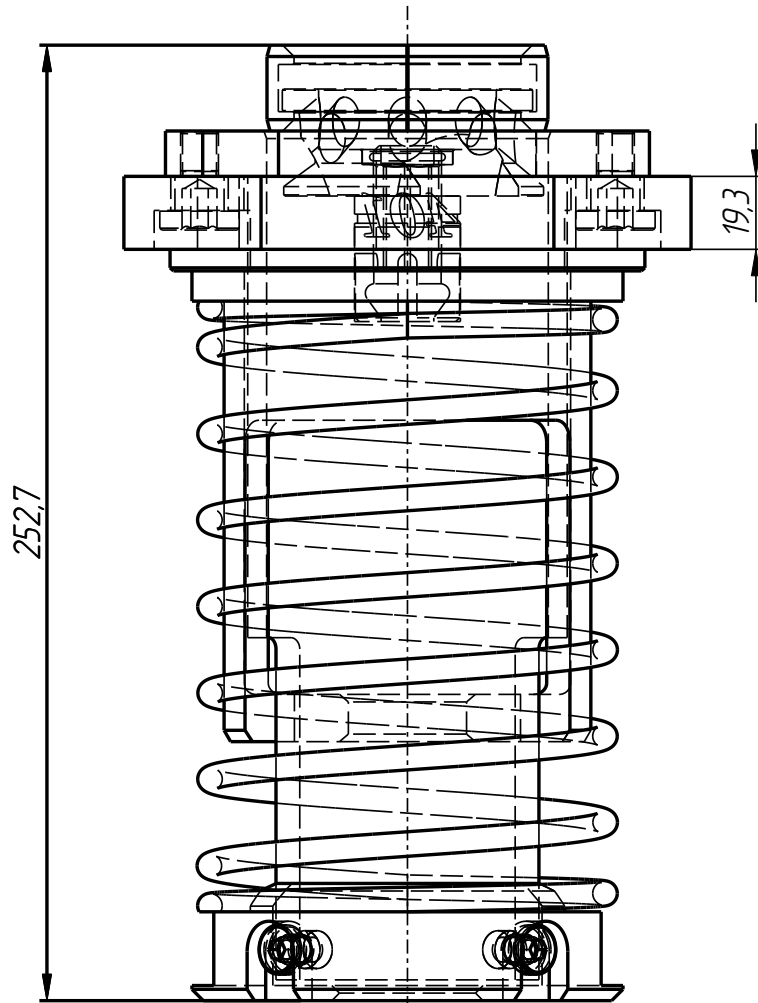
401



PPL-401-018

Cartridge /
Plunger Positioner 83
(400-5080-1A)
PPL-401-018

401



*Cartridge /
Plunger Positioner 83
(400-5080-1A)
PPL-401-018*

401

PPL-401-018

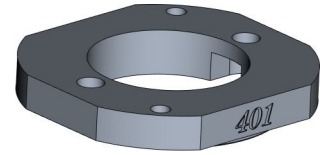
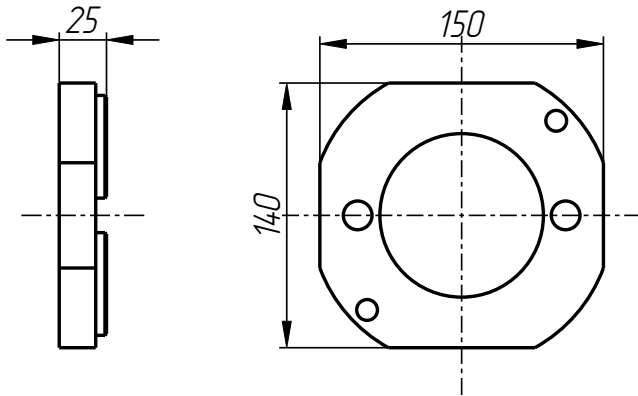
*Cartridge /
Plunger Positioner 83
(400-5080-1A)
Specification*

| <i>Nº pos.</i> | <i>Code</i> | <i>Name</i> | <i>Qty</i> |
|------------------------|------------------------------|------------------------|------------|
| <i>Parts:</i> | | | |
| 1 | <i>PPL-401-018-001</i> | <i>Flange</i> | 1 |
| 2 | <i>PPL-401-018-002</i> | <i>Bushing</i> | 1 |
| 3 | <i>PPL-401-018-003</i> | <i>Sleeve</i> | 1 |
| 4 | <i>PPL-401-018-004</i> | <i>Spring retainer</i> | 1 |
| 5 | <i>PPL-401-018-005</i> | <i>Spring</i> | 1 |
| 6 | <i>PPL-401-018-006</i> | <i>Split ring</i> | 2 |
| 7 | <i>PPL-401-018-007</i> | <i>Screw</i> | 2 |
| 8 | <i>PPL-401-018-008</i> | <i>Adapter</i> | 1 |
| 9 | <i>PPL-401-018-008-002</i> | <i>Ring</i> | 1 |
| 10 | <i>PPL-401-018-010</i> | <i>Emphasis</i> | 1 |
| <i>Standard parts:</i> | | | |
| 11 | <i>Screw M8 x 10 DIN7984</i> | | 4 |

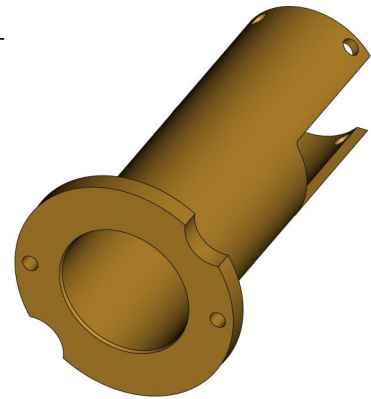
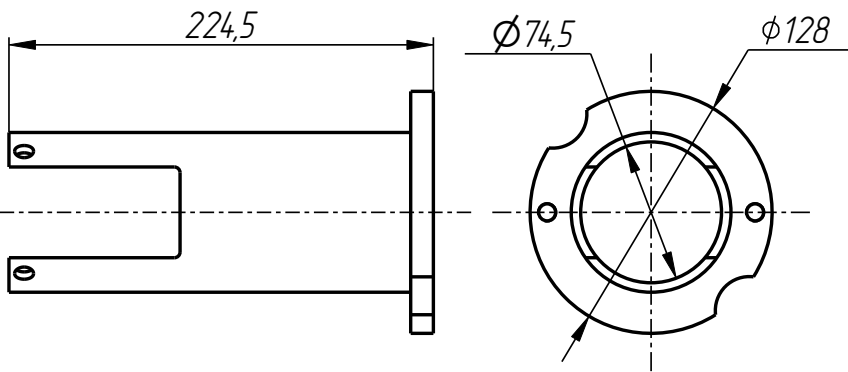
PPL-401-018

Cartridge /
Plunger Positioner 83
(400-5080-1A)
PPL-401-018

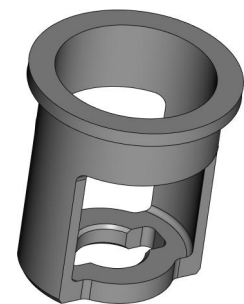
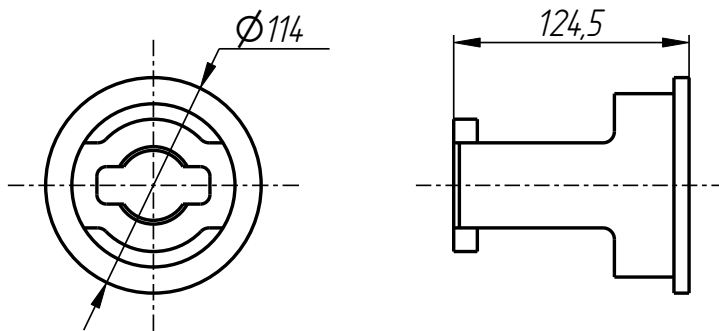
401



Flange
PPL-401-018-001



Bushing
PPL-401-018-002

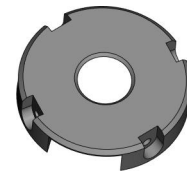
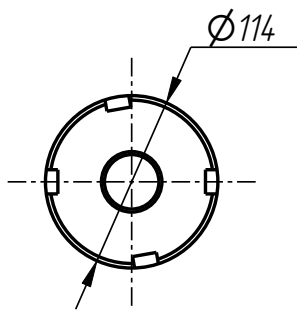
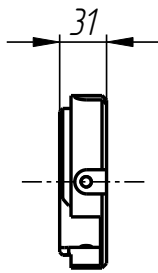


Sleeve
PPL-401-018-003

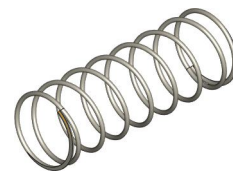
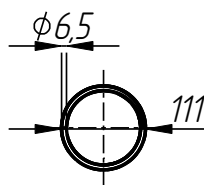
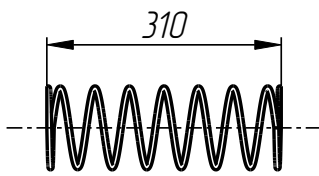
PPL-401-018

Cartridge /
Plunger Positioner 83
(400-5080-1A)
PPL-401-018

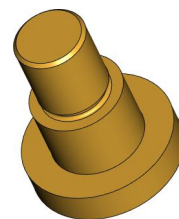
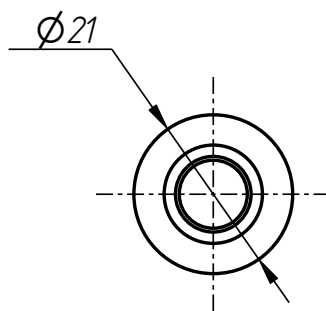
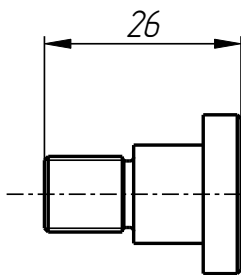
401



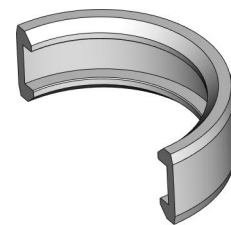
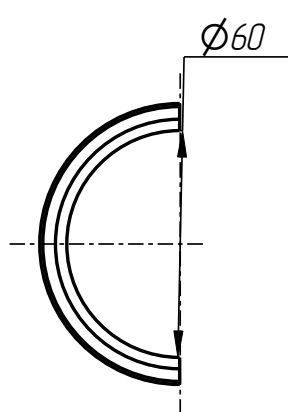
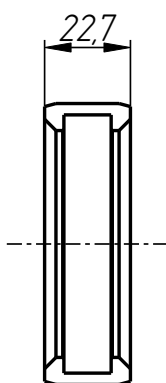
Spring retainer
PPL-401-018-004



Spring
PPL-401-018-005



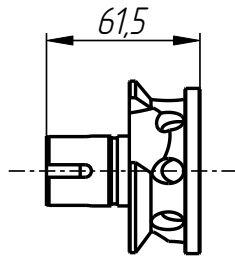
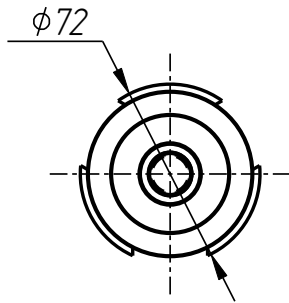
Screw
PPL-401-018-007



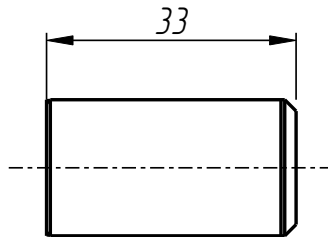
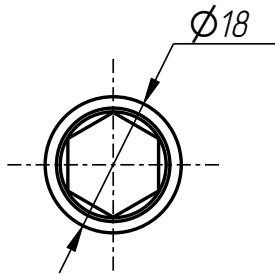
Split ring
PPL-401-018-006

Cartridge /
Plunger Positioner 83
(400-5080-1A)
PPL-401-018

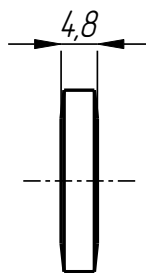
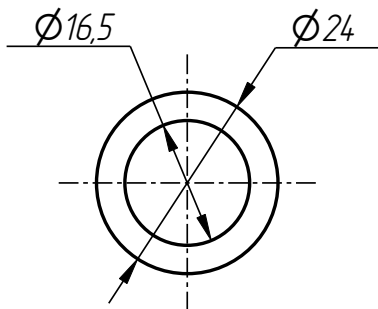
401



Adapter
PPL-401-018-008



Emphasis
PPL-401-018-010



Ring
PPL-401-018-008-002

PPL-401-018