

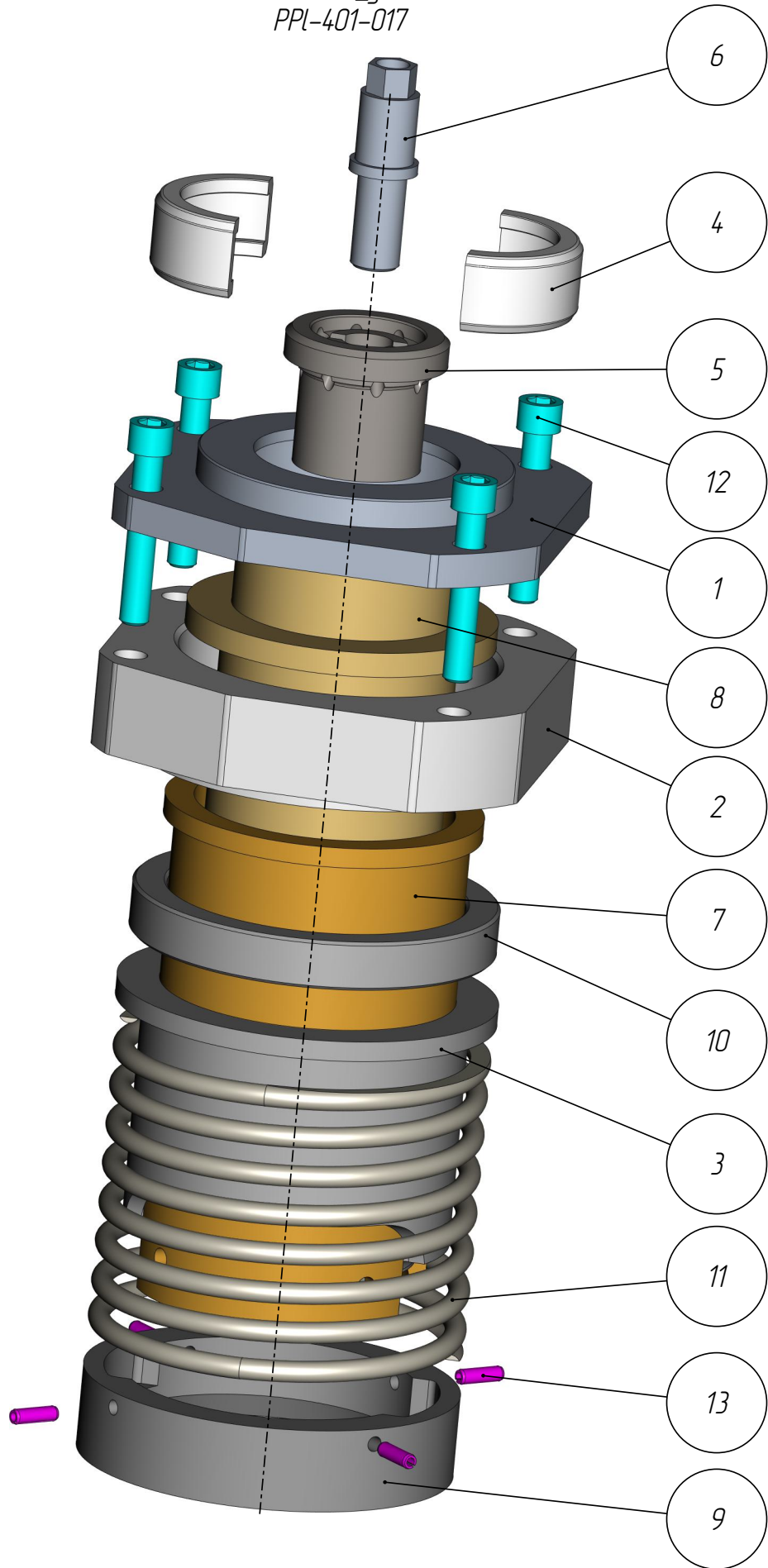
401

PPL-401-017

*Cartridge /
Plunger Positioner 70
(62-402_gr6)*

Cartridge /
Plunger Positioner 70
(62-402_gr6)
PPL-401-017

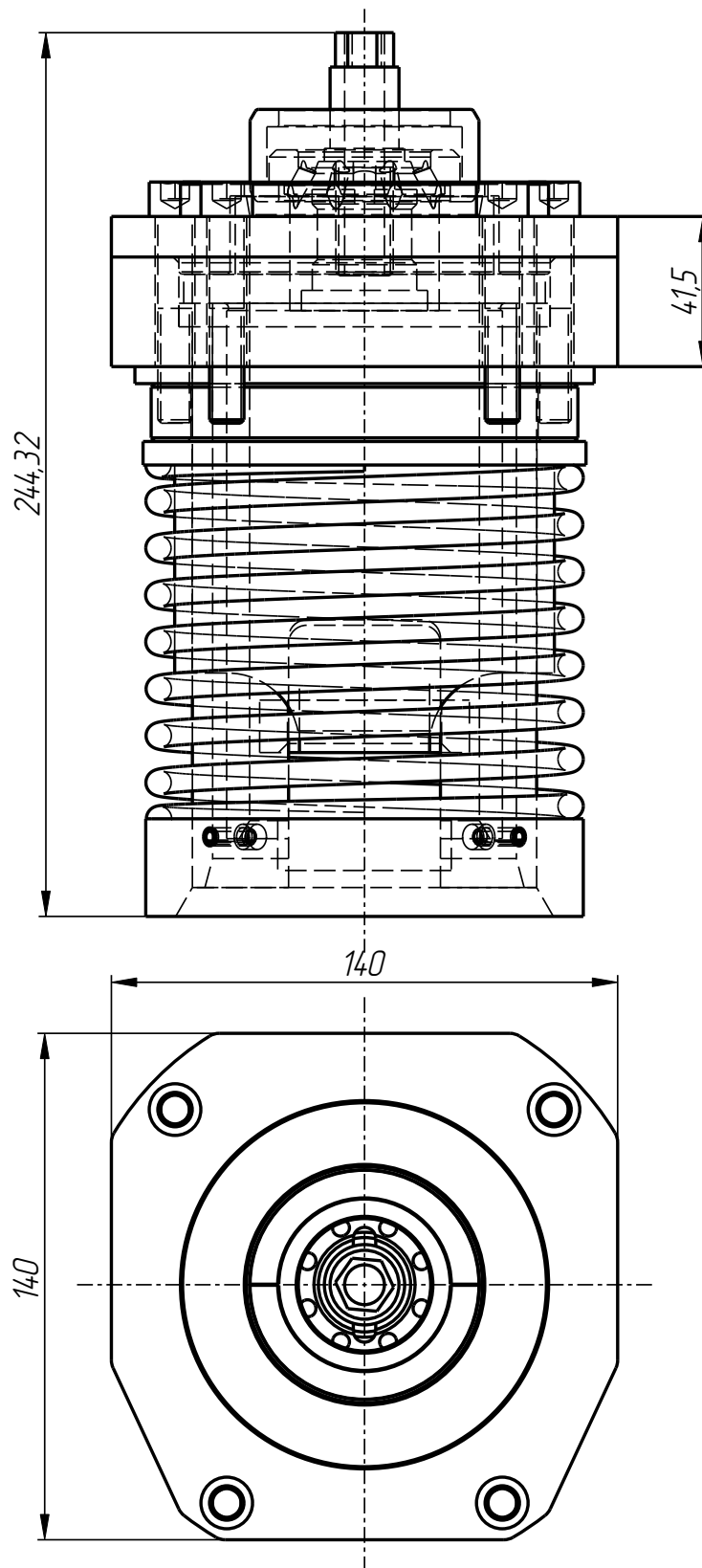
401



PPL-401-017

Cartridge /
Plunger Positioner 70
(62-402_gr6)
PPL-401-017

401



PPL-401-017

Cartridge /
Plunger Positioner 70
(62-402_gr6)
PPI-401-017

401

PPI-401-017

Cartridge /
Plunger Positioner 70
(62-402_gr6)
Specification

| N° pos. | Code | Name | Qty |
|---------|------|------|-----|
|---------|------|------|-----|

Parts:

| | | | |
|----|-----------------|-----------------|---|
| 1 | PPI-401-017-001 | Cap | 1 |
| 2 | PPI-401-017-002 | Space plate | 1 |
| 3 | PPI-401-017-003 | Sleeve | 1 |
| 4 | PPI-401-017-004 | Split ring | 2 |
| 5 | PPI-401-017-005 | Adapter | 1 |
| 6 | PPI-401-017-006 | Locking stud | 1 |
| 7 | PPI-401-017-007 | Bushing | 1 |
| 8 | PPI-401-017-008 | Bushing | 1 |
| 9 | PPI-401-017-009 | Spring retainer | 1 |
| 10 | PPI-401-017-010 | Ring | 1 |
| 11 | PPI-401-017-011 | Spring | 1 |

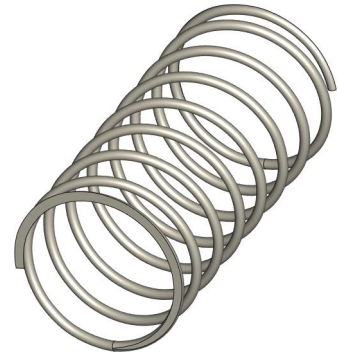
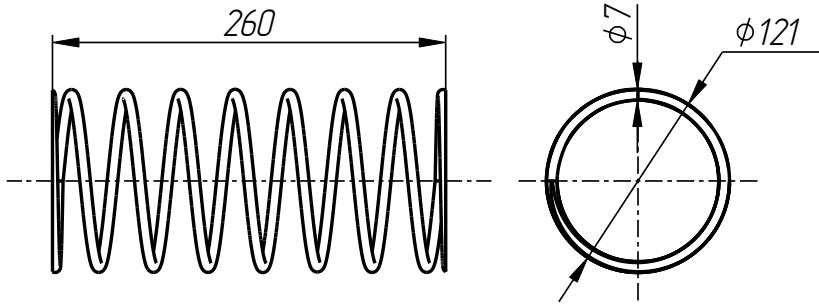
Standard parts:

| | | |
|----|---------------------------------|---|
| 12 | Screw UNC3/8"-16x2 1/4" DIN 912 | 4 |
| 13 | Spring pin ϕ 5x16 DIN 1481 | 4 |

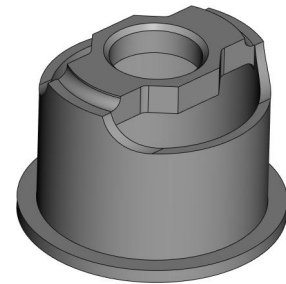
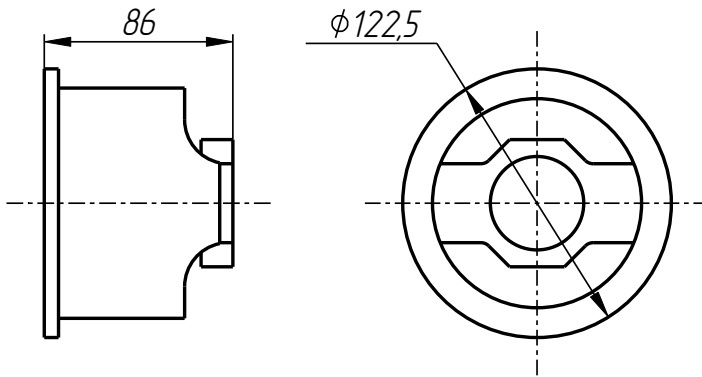
PPI-401-017

Cartridge /
Plunger Positioner 70
(62-402_gr6)
PPL-401-017

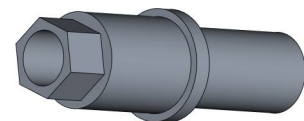
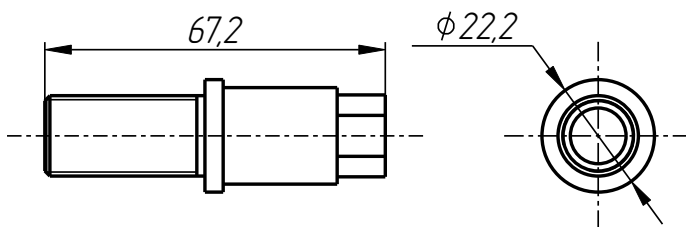
401



Spring
PPL-401-017-011



Sleeve
PPL-401-017-003

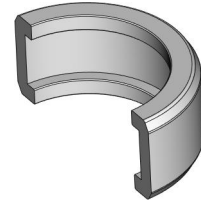
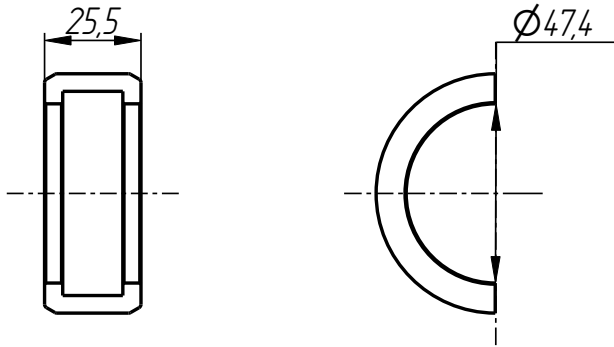


Locking stud
PPL-401-017-006

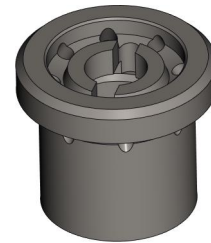
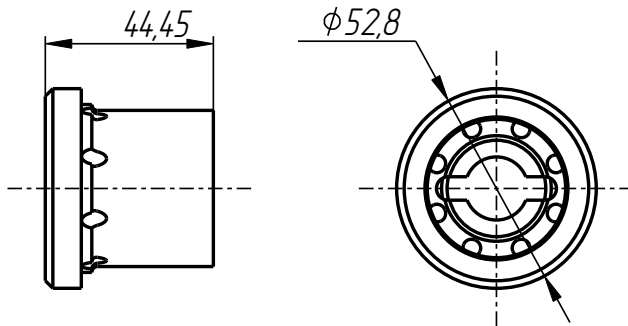
PPL-401-017

Cartridge /
Plunger Positioner 70
(62-402_gr6)
PPL-401-017

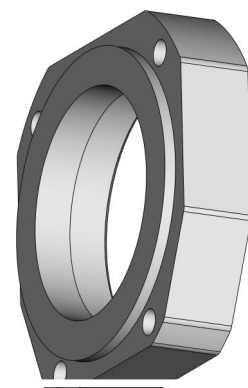
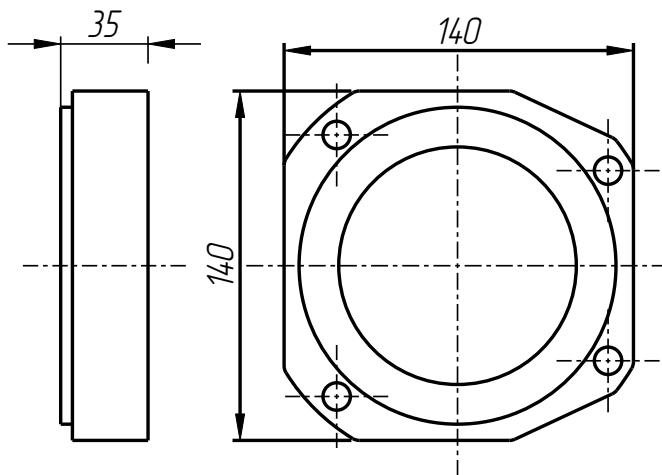
401



Split ring
PPL-401-017-004



Adapter
PPL-401-017-005

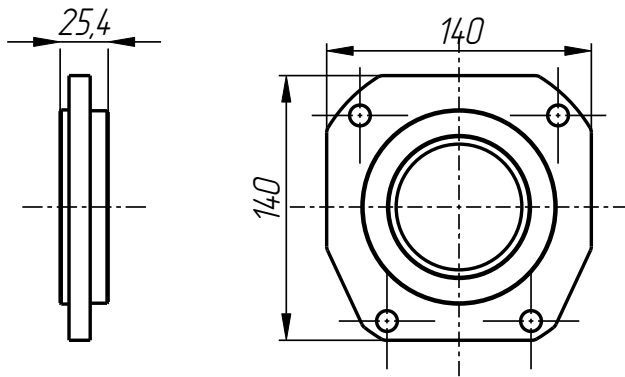


Space plate
PPL-401-017-002

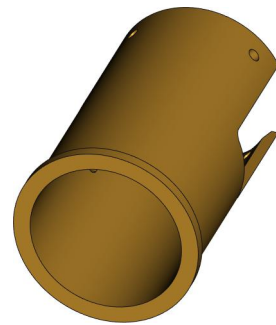
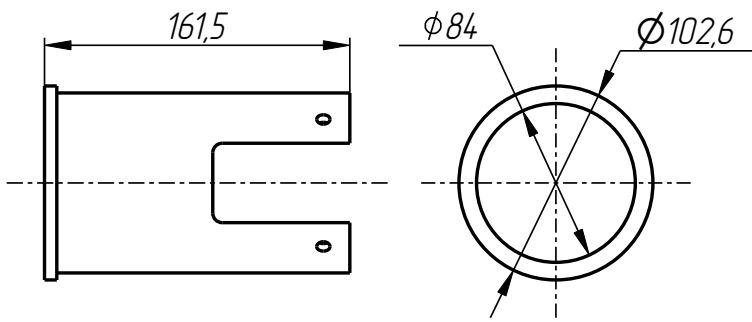
PPL-401-017

Cartridge /
Plunger Positioner 70
(62-402_gr6)
PPL-401-017

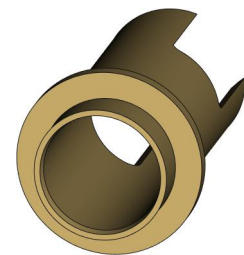
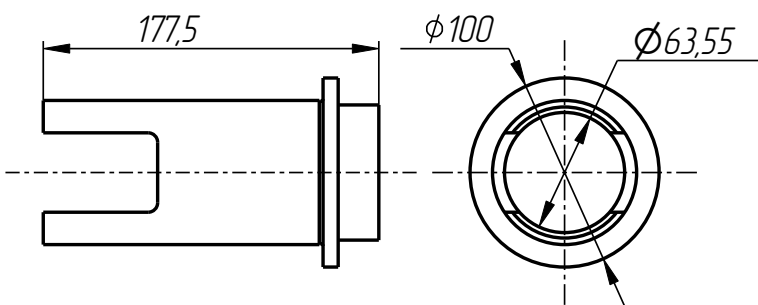
401



Cap
PPL-401-017-001



Bushing
PPL-401-017-007

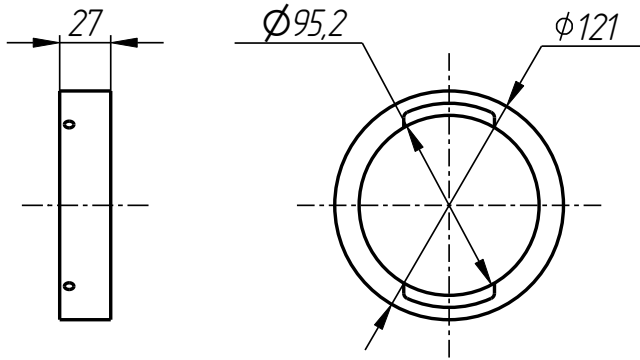


Bushing
PPL-401-017-008

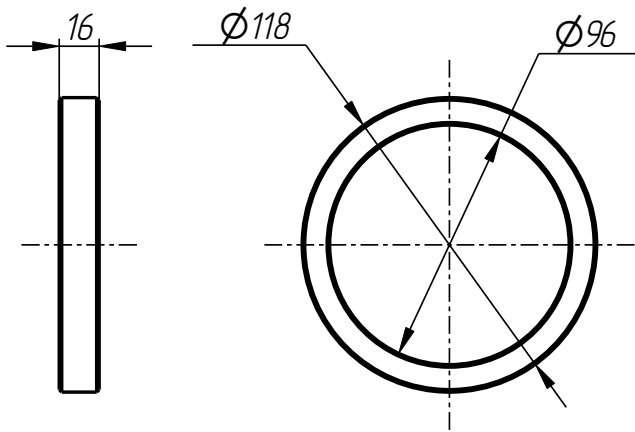
PPL-401-017

Cartridge /
Plunger Positioner 70
(62-402_gr6)
PPL-401-017

401



Spring retainer
PPL-401-017-009



Ring
PPL-401-017-010

PPL-401-017