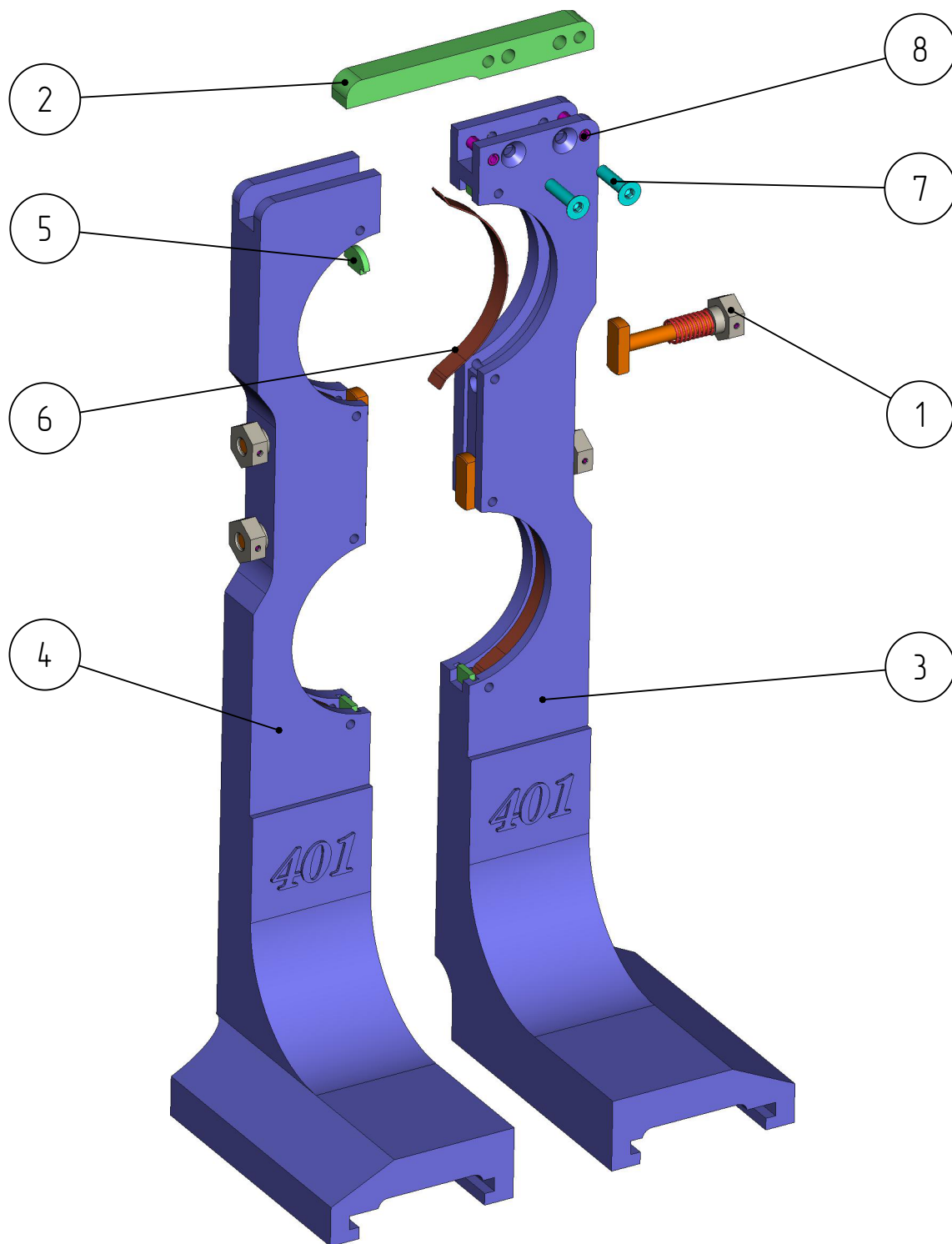


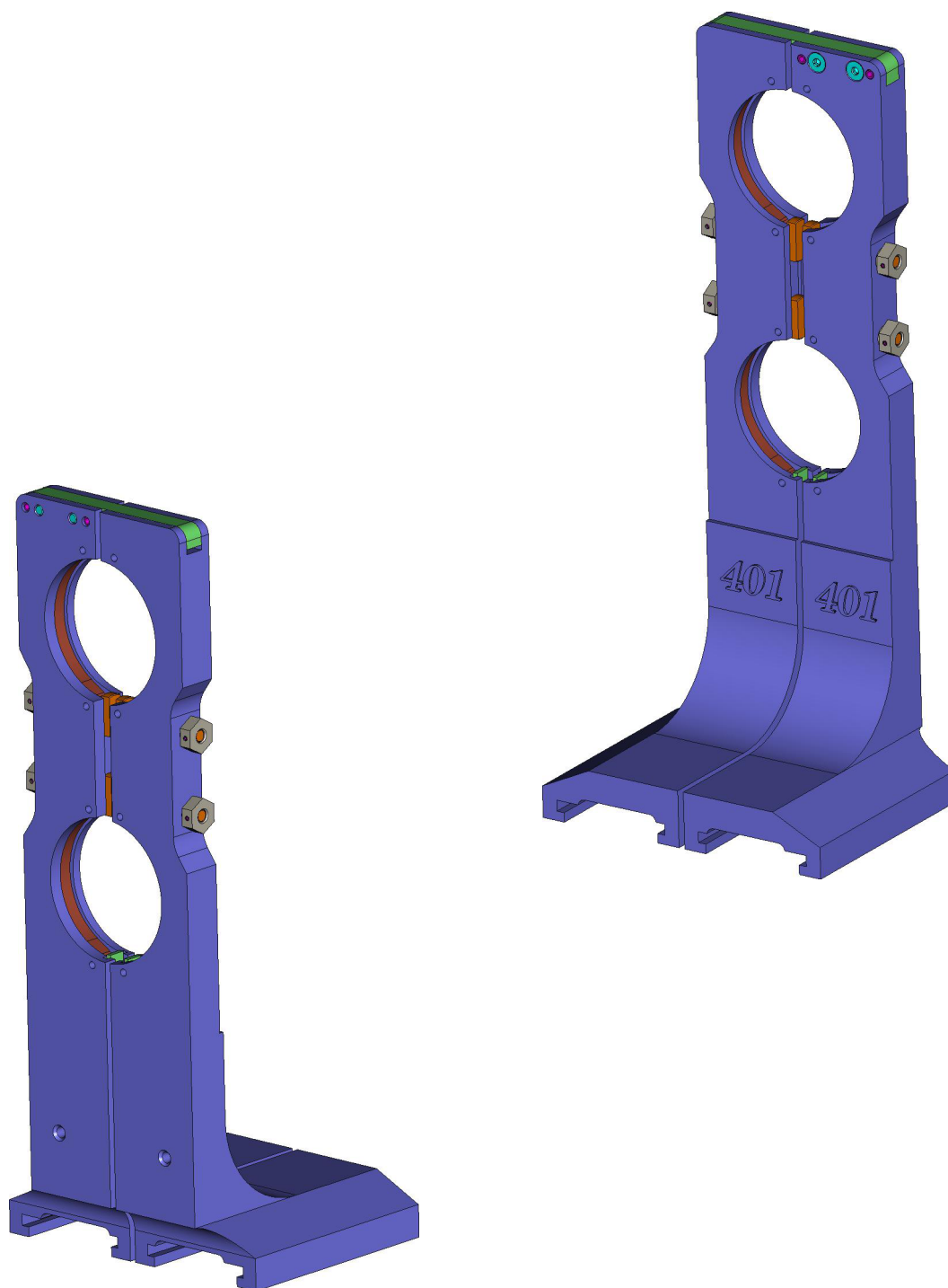
401

DGK-401-025
NECKRING HOLDER
(DGK-6-1_4-2)

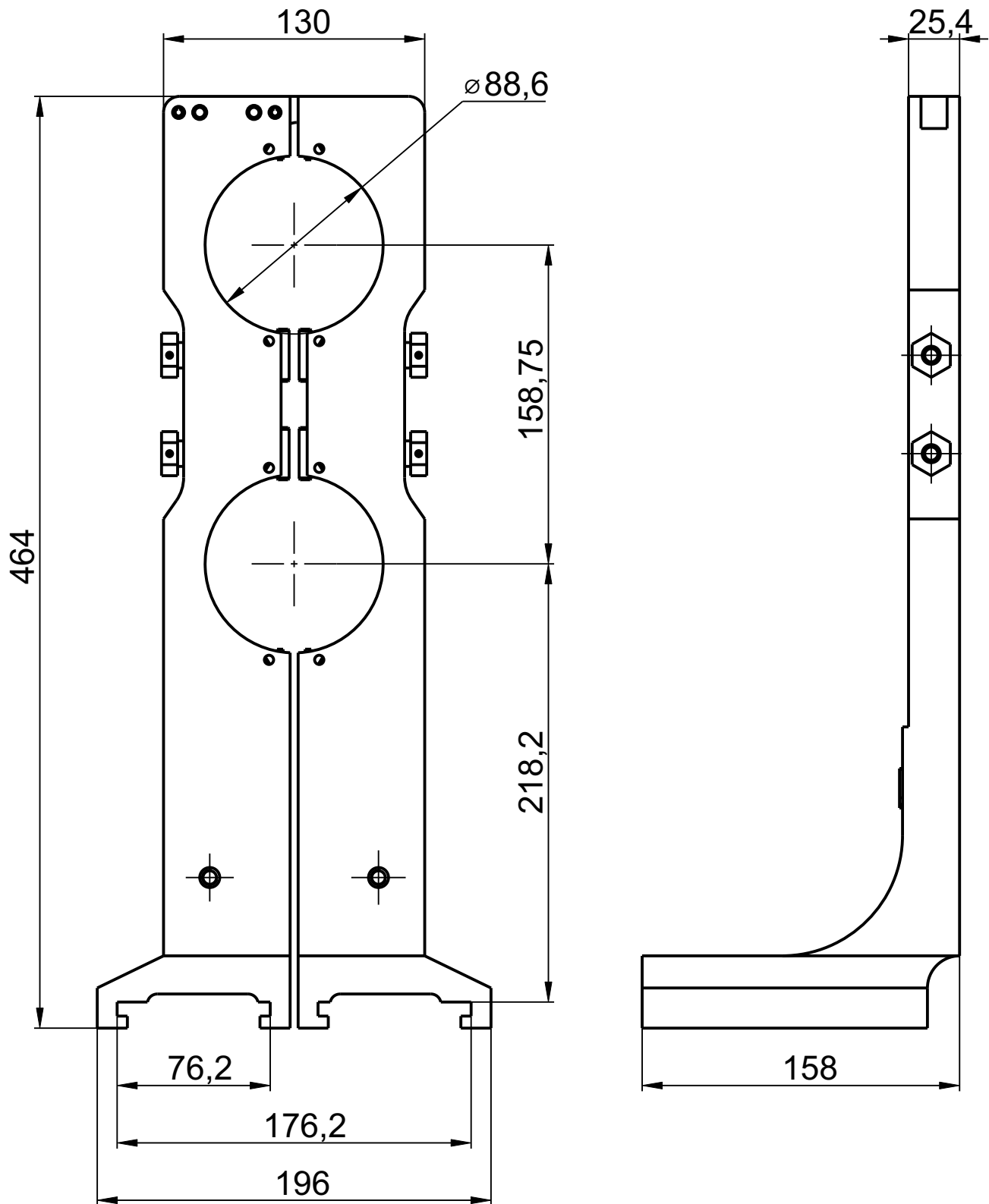
Neckring holder DGK-401-025



Neckring holder DGK-401-025

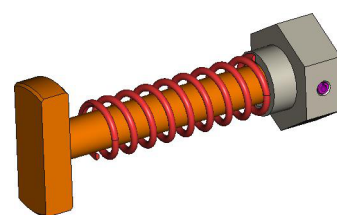
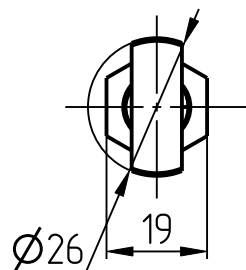
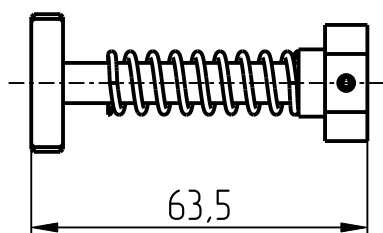


Neckring holder DGK-401-025

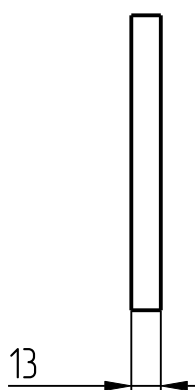
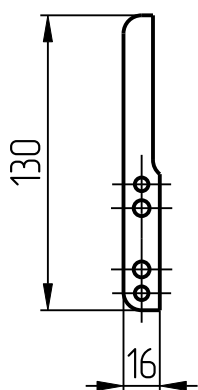


Neckring holder DGK-401-025
Specification

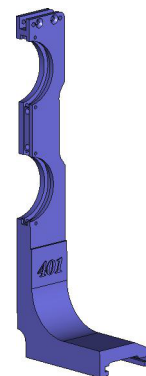
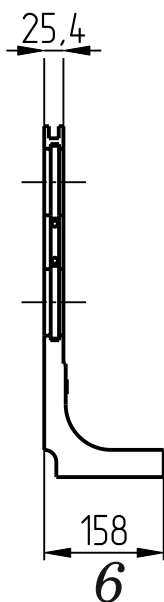
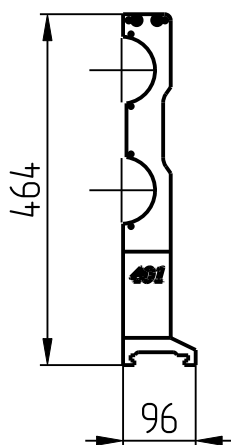
№ pos.	Code	Name	Qty
Assemblies			
1	DGK-401-020-002-sb	Lock	4
Parts			
2	DGK-401-020-006	Positioner	1
3	DGK-401-025-001	Neckring holder	1
4	DGK-401-025-002	Neckring holder	1
5	DGK-401-STANDART-01	Insert	4
6	DGK-401-STANDART-03-127	Leaf spring	4
Standard parts			
7	Screw M6x25 DIN7991		2
8	Spring pin 6x24 DIN 1481		2



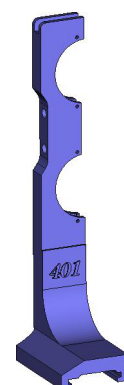
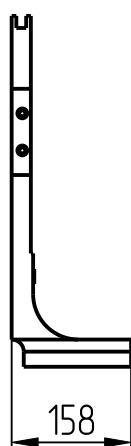
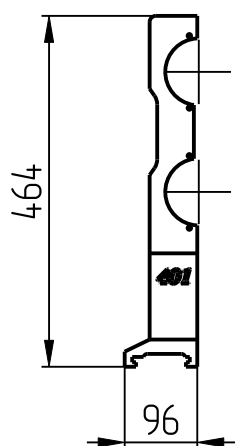
1. Lock
DGK-401-020-002-sb



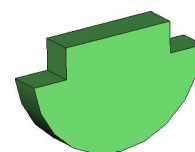
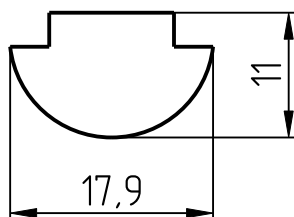
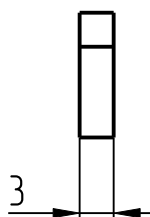
2. Positioner
DGK-401-020-006



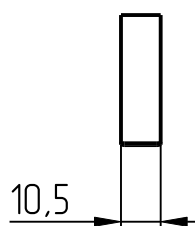
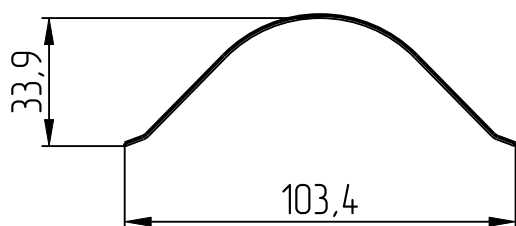
3. Neckring holder
DGK-401-025-001



4. Neckring holder
DGK-401-025-002



5. Insert
DGK-401-STANDART-01



6. Leaf spring
DGK-401-STANDART-03-127